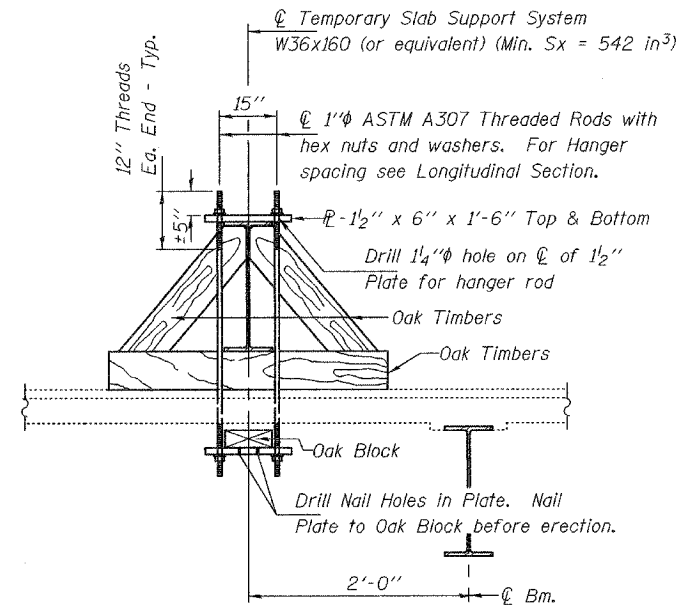


STATE OF ILLINOIS
DEPARTMENT OF TRANSPORTATION

ROUTE NO.	SECTION	COUNTY	SHEET NO.	SHEET NO.
FAI 70		EFFINGHAM	9	6
FED. ROAD DIST. NO. 7	ILLINOIS	FED. AID PROJECT-		

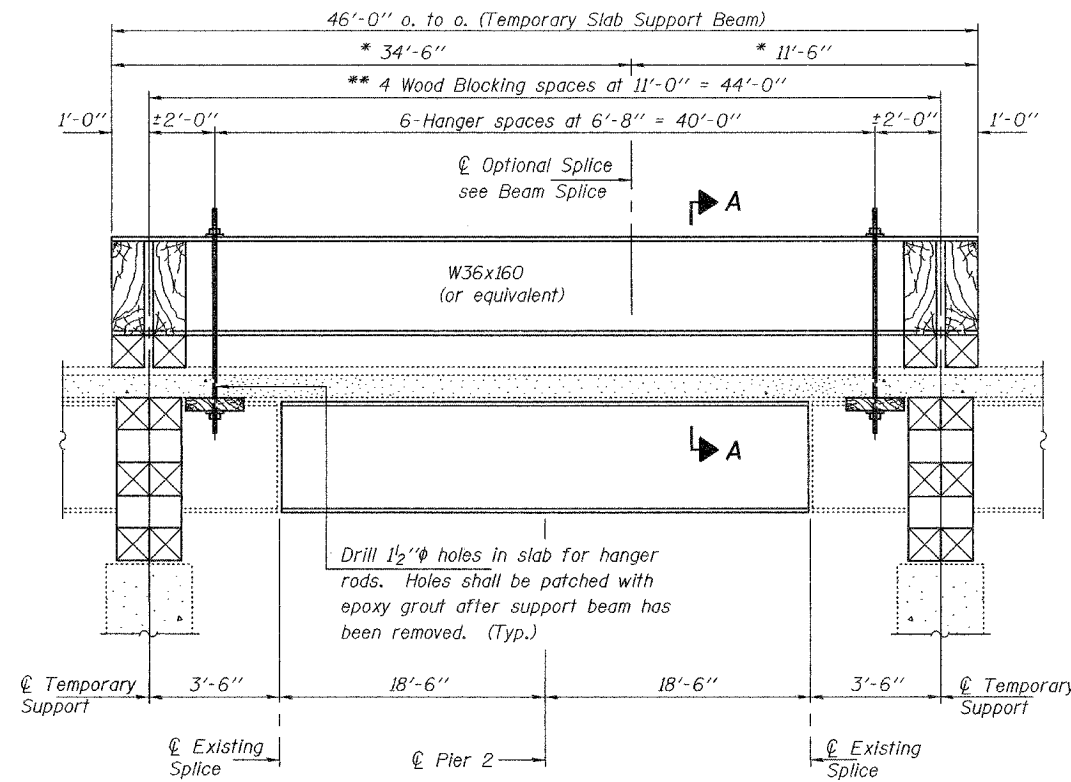
Contract Number: 74311



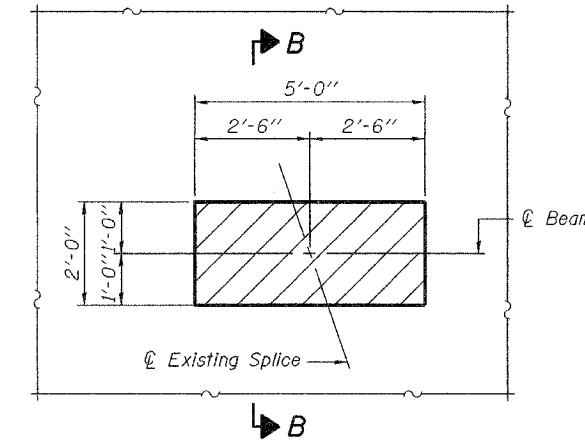
SECTION A-A

* These dimensions may vary for available beams in stock.

** Wood blocking between supports to be placed after support beam is allowed to deflect under its own weight.

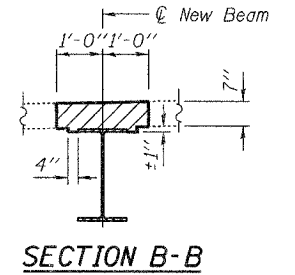


LONGITUDINAL SECTION
SUGGESTED TEMPORARY SLAB SUPPORT SYSTEM

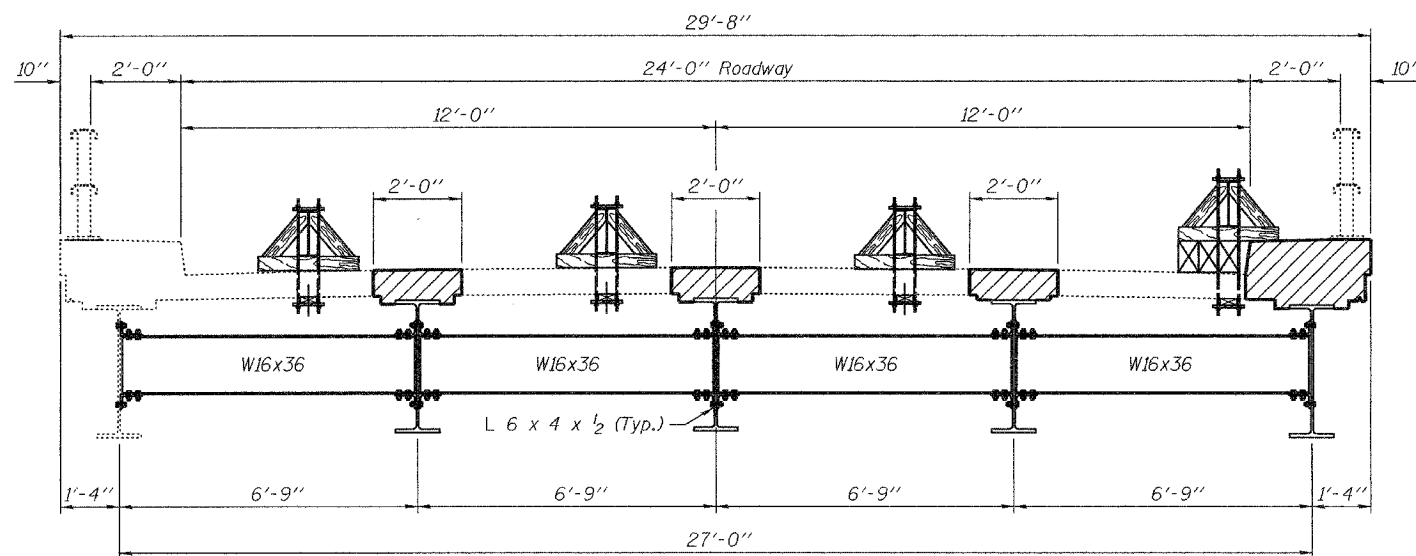


CONCRETE SURFACE REMOVAL AND REPLACEMENT FOR BEAMS B2 THRU B4

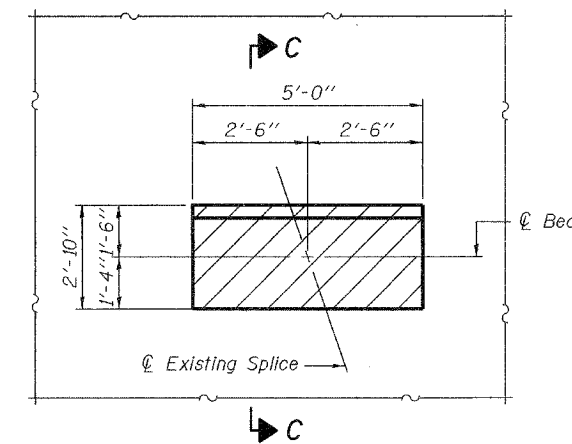
Hatched areas indicate concrete sections to be removed and replaced. Perimeters of concrete removal areas shall be saw cut 3/4" prior to the removal of concrete. Reinforcement shall be cut only if required for fitting bolts. Cut reinforcement shall be spliced as directed by the Engineer. Cost shall be included with Concrete Removal.



SECTION B-B

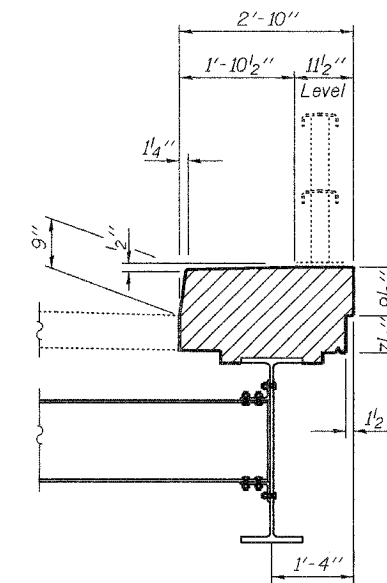


CROSS SECTION
(Looking South)



CONCRETE REMOVAL AT CURB

Hatched areas indicate concrete sections to be removed and replaced. Perimeters of concrete removal areas shall be saw cut 3/4" prior to the removal of concrete. Reinforcement shall be cut only if required for fitting bolts. Cut reinforcement shall be spliced as directed by the Engineer. Cost shall be included with Concrete Removal.



SECTION C-C

Note: Existing steel bridge rail and posts in the concrete removal areas shall be removed and re-used as directed by the Engineer. Cost included with the cost of Concrete Removal.

DESIGNED	AJB
CHECKED	SJB
DRAWN	Steffen
CHECKED	AJB SJB

APRIL 16, 2008
EXAMINED *A. Carl Perry*
ENGINEER OF STRUCTURAL SERVICES
PASSED *Ralph E. Anderson*
ENGINEER OF BRIDGES AND STRUCTURES

REPAIR DETAILS
TR 258 OVER FAI 70
EFFINGHAM COUNTY
SN 025-0062