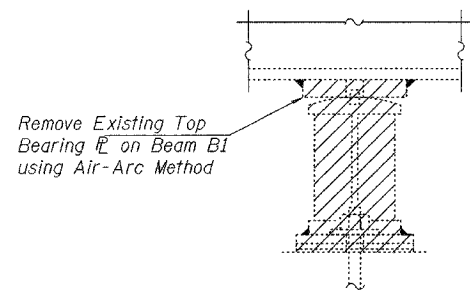


STATE OF ILLINOIS
DEPARTMENT OF TRANSPORTATION

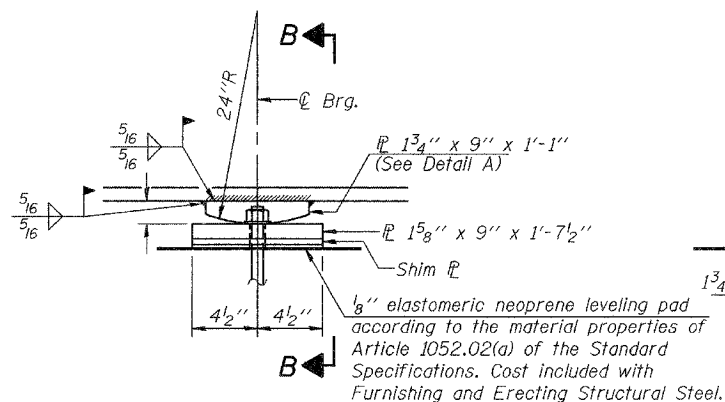
ROUTE NO.	SECTION	COUNTY	SHEET	SHEET	SHEET NO. 5 6 SHEETS
FAI 70		EFFINGHAM	9	8	
FED. ROAD DIST. NO. 7	ILLINOIS	FED. AID PROJECT			

Contract Number: 74311

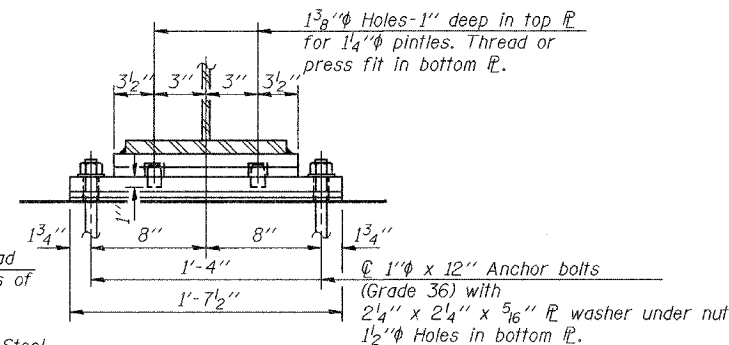


Remove Existing Top Bearing on Beam B1 using Air-Arc Method

BEARING REMOVAL DETAIL

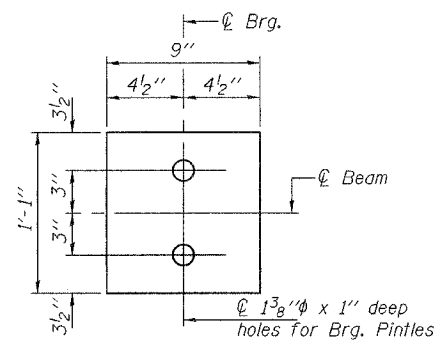


ELEVATION AT PIER

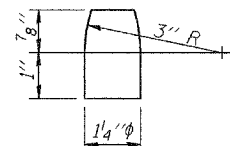


SECTION B-B

FIXED BEARING



DETAIL A



PINTLE

BILL OF MATERIAL

Item	Unit	Total
Furnishing and Erecting Structural Steel	Pound	750
Anchor Bolts, 1"φ	Each	10

DESIGNED	AJB
CHECKED	SJB
DRAWN	Steffen
CHECKED	AJB SJB

APRIL 16, 2008
 EXAMINED *A. Carl Perry*
 ENGINEER OF STRUCTURAL SERVICES
 PASSED *Ralph E. Anderson*
 ENGINEER OF BRIDGES AND STRUCTURES

BEARING DETAILS
TR 258 OVER FAI 70
EFFINGHAM COUNTY
SN 025-0062