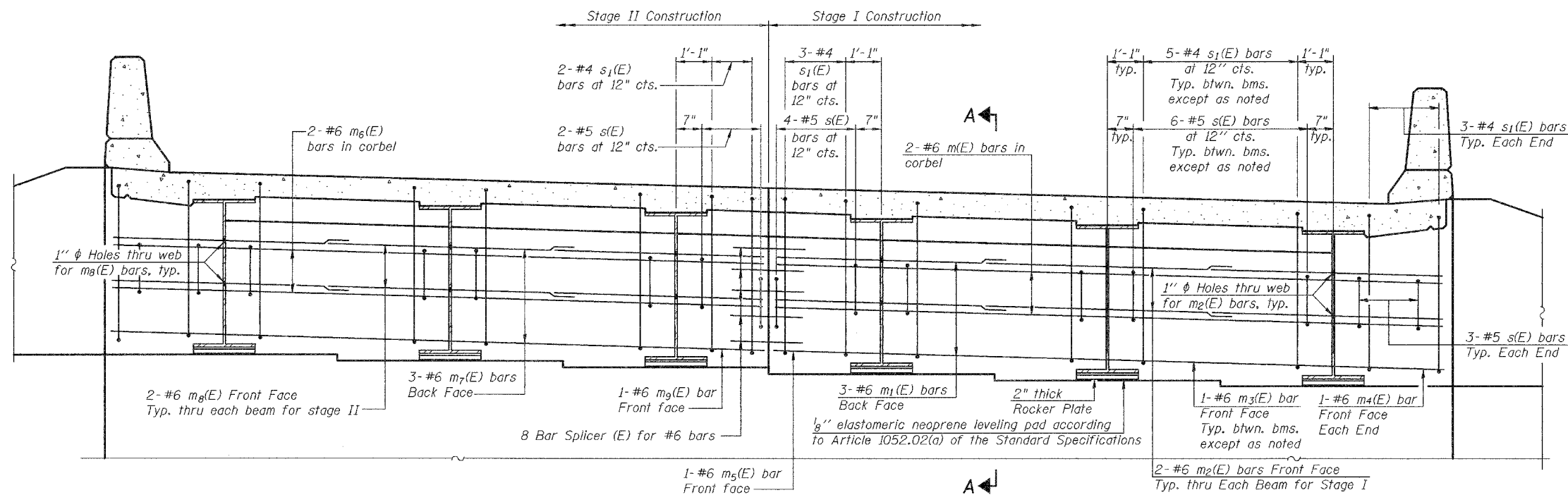


STATE OF ILLINOIS
DEPARTMENT OF TRANSPORTATION

ROUTE NO.	SECTION	COUNTY	TOTAL SHEETS	SHEET NO.	SHEET NO. 14
F.A.P. 304	5BR-2	CALHOUN	68	38	28 SHEETS
FED. ROAD DIST. NO. 7	ILLINOIS	FED. AID PROJECT			

Contract #76948



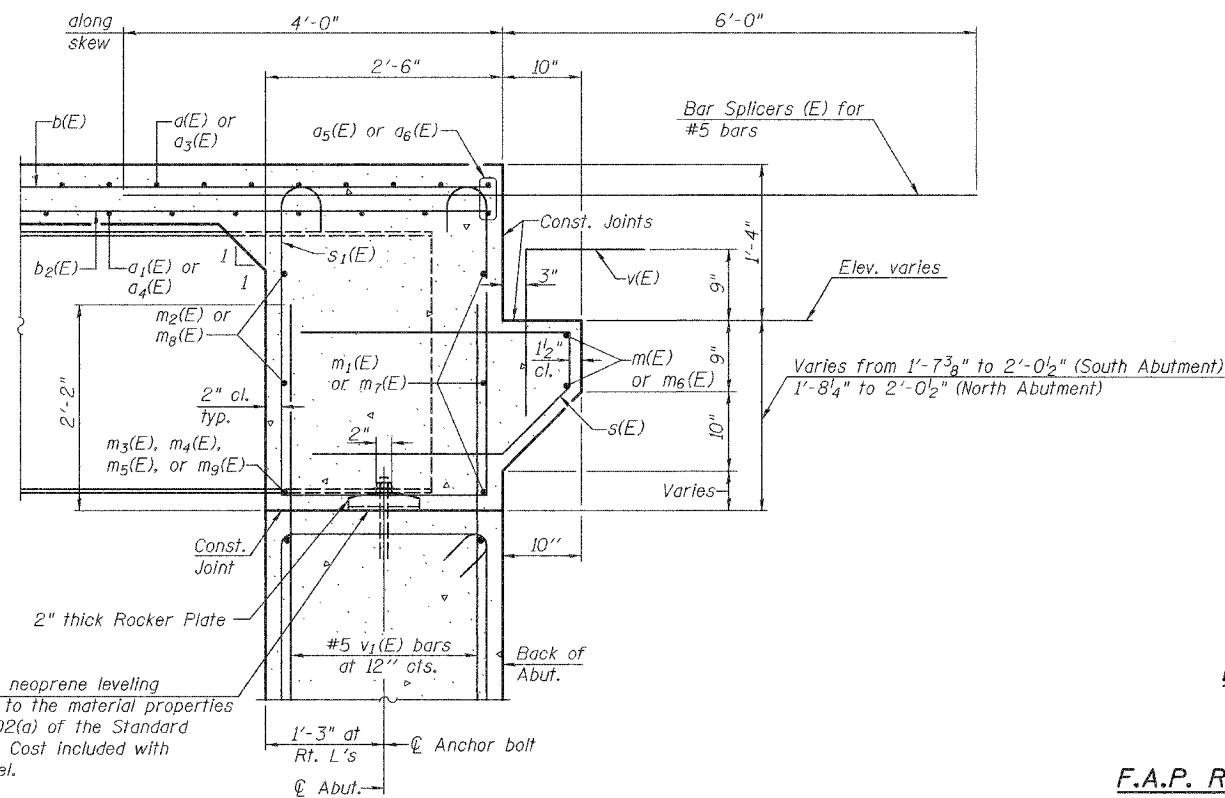
DIAPHRAGM ELEVATION AT ABUTMENT

(North Abutment shown, looking North. South Abutment similar)

Notes:
Reinforcement bars in diaphragm are billed with superstructure on Sheet No. 13 of 28.
Concrete in diaphragm is included with Concrete Superstructure on Sheet No. 13 of 28.
For details of bars s(E) & s₁(E) see Sheet No. 13 of 28.
The s(E) and s₁(E) bars shall be placed parallel to the beams. Spacing for these bars shall be at right angles to the beams.

MIN. BAR LAP

(Diaphragms)
#6 bar = 2'-9"



SECTION A-A

Dimensions at right angles to abutment, except as shown.

DESIGNED	YSS
CHECKED	RLM
DRAWN	PRC
CHECKED	YSS



02/27/08

DIAPHRAGM DETAILS
IL. ROUTE 100 OVER
CRAWFORD CREEK
F.A.P. ROUTE 304 - SECTION 5BR-2
CALHOUN COUNTY
STATION 467+59.00
STRUCTURE NO. 007-0027