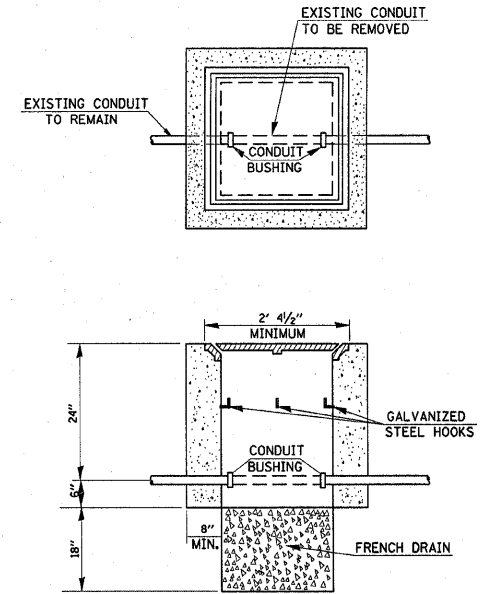


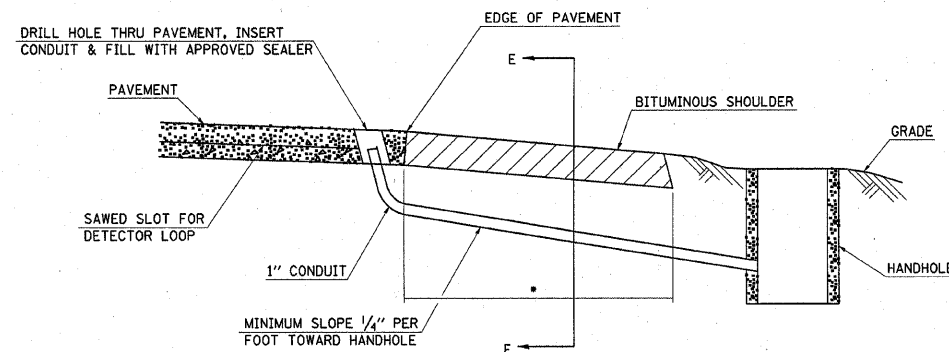
DEATIL G  
SERVICE INSTALLATION, TYPE A  
NOT TO SCALE



DETAIL I  
HANDHOLE TO INTERCEPT EXISTING CONDUIT \*  
\* NOT A PAY ITEM

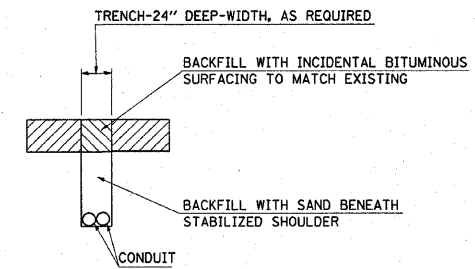
NOTES:

1. REMOVAL OF EXISTING CONDUIT FROM THE HANDHOLE AND THE INSTALLATION OF THE CONDUIT BUSHING SHALL BE INCIDENTAL TO THE HANDHOLE.
2. THE CONTRACTOR SHALL BE PAID TO LOCATE THE CONDUIT UNDER OTHER PROVISIONS OF THIS CONTRACT. SEE LOCATING UNDERGROUND CABLE IN THE STANDARD SPECIFICATIONS.



\* LIMITS OF "TRENCH AND BACKFILL FOR ELECTRICAL WORK (SPECIAL)"

DETAIL H  
TRENCH AND BACKFILL FOR ELECTRICAL WORK (SPECIAL)  
(NO SCALE)



SEC. E-E

FILE NAME =	USER NAME = kepler-d	DESIGNED -	REVISED -	<b>STATE OF ILLINOIS DEPARTMENT OF TRANSPORTATION</b>	<b>TRAFFIC SIGNAL DETAILS</b>	F.A.U. RTE.	SECTION	COUNTY	TOTAL SHEETS	SHEET NO.
et\projects\view\ed09707\electrical\sp109707a.dgn	DRAWN -	REVISED -	9111			73-15TS	MADISON	64	38	
PLOT SCALE = 20,0000 ' / IN.	CHECKED -	REVISED -	CONTRACT NO. 76B22							
PLOT DATE = 3/17/2008	DATE -	REVISED -	FED. ROAD DIST. NO. - ILLINOIS FED. AID PROJECT							
						SCALE: _____ SHEET NO. 4 OF 9 SHEETS STA. _____ TO STA. _____				