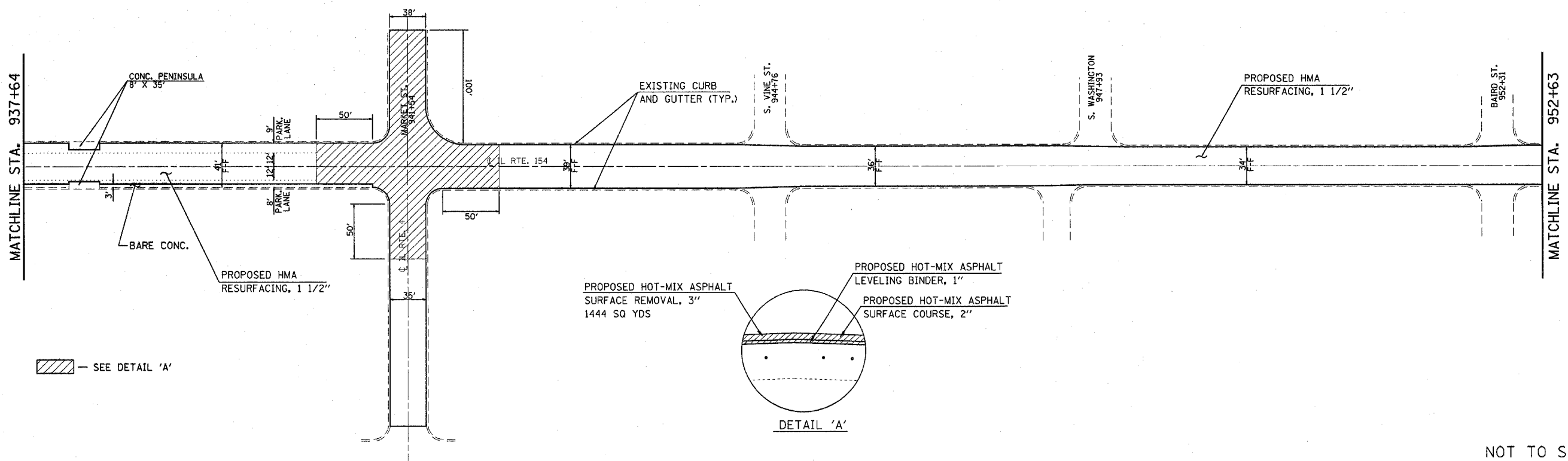


NOT TO SCALE



NOT TO SCALE

FILE NAME = c:\projects\ed01508\plan\pin01508a.dgn	USER NAME = duntelman,j	DESIGNED - ---	REVISED - ---	<b>STATE OF ILLINOIS DEPARTMENT OF TRANSPORTATION</b>	<b>PLAN VIEW (SPARTA)</b>	F.A.P. RTE. 329	SECTION (125,126)RS-2	COUNTY RANDOLPH	TOTAL SHEETS 34	SHEET NO. 23		
	PLOT SCALE = 50,0000 ' / IN.	DRAWN - ---	REVISED - ---			SCALE: _____	SHEET NO. ____ OF ____ SHEETS	STA. _____ TO STA. _____	FED. ROAD DIST. NO. _____ ILLINOIS FED. AID PROJECT			
	PLOT DATE = 3/21/2008	CHECKED - ---	REVISED - ---			CONTRACT NO. 76B38						
	DATE - ---	REVISED - ---	REVISED - ---									