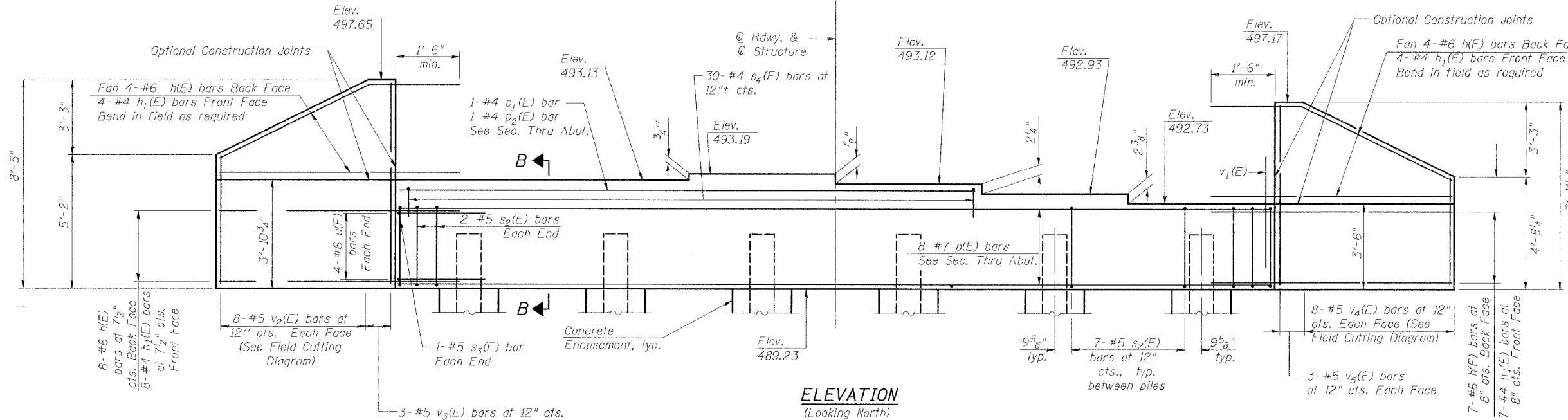
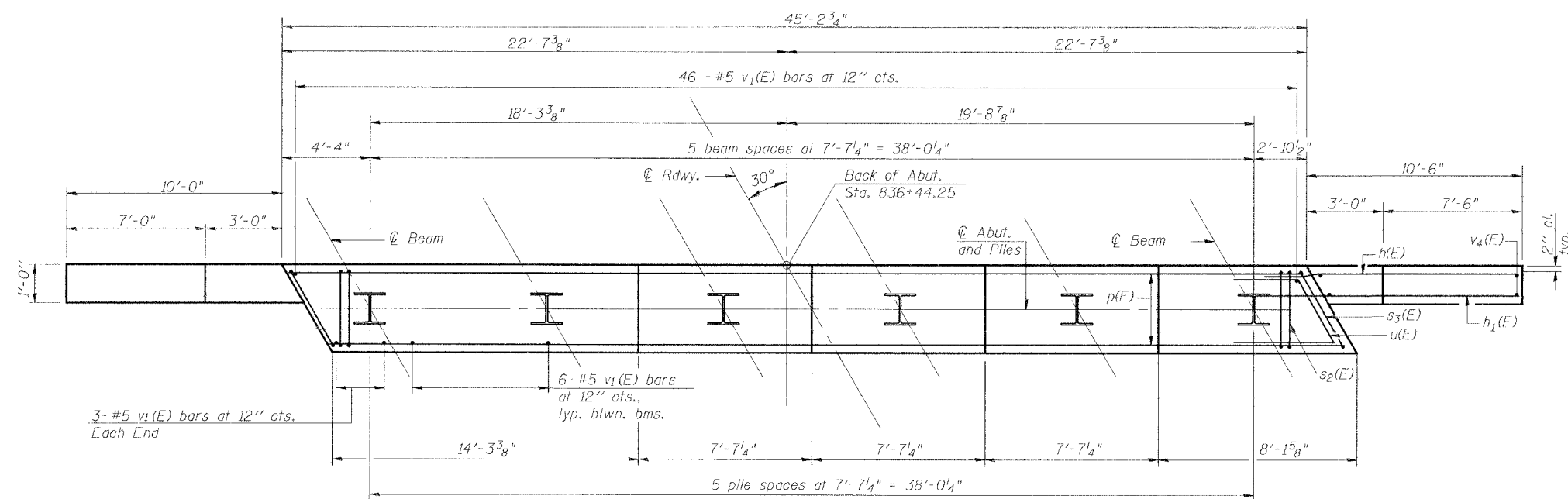


STATE OF ILLINOIS
DEPARTMENT OF TRANSPORTATION

ROUTE NO.	SECTION	COUNTY	TOTAL SHEETS	SHEET NO.	SHEET NO. 12
F.A.S. 2826	110B-1	JEFFERSON	44	23	16 SHEETS
FED. ROAD DIST. NO. 7	ILLINOIS	FED. AID PROJECT-			



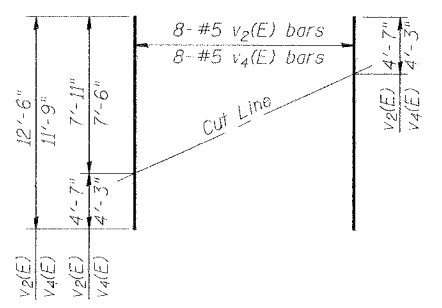
ELEVATION
(Looking North)



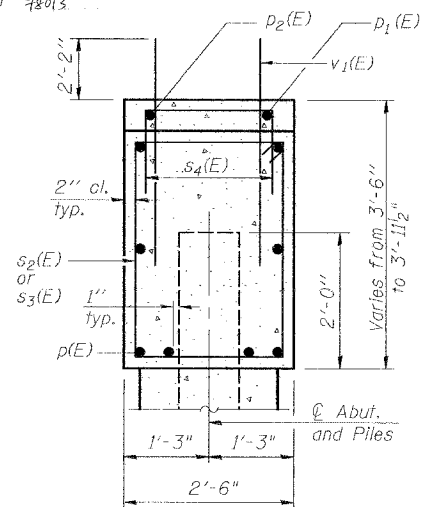
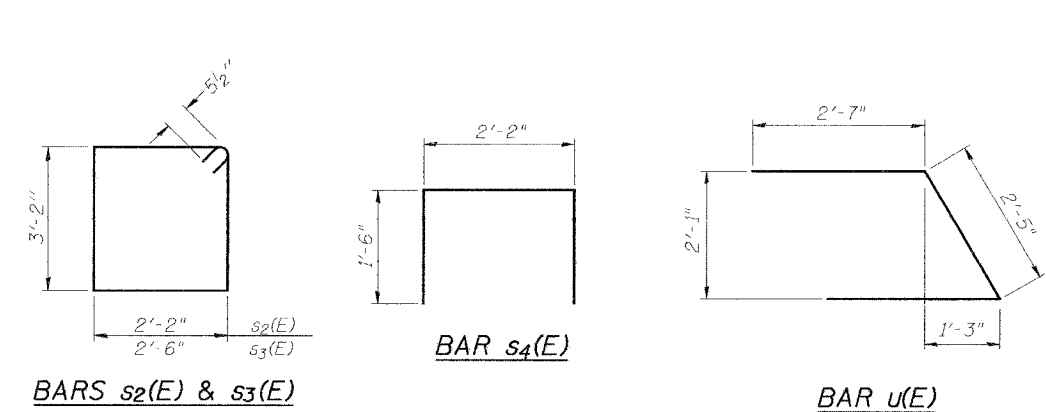
PLAN

PILE DATA
Type: Steel HP 12x63
Nominal Required Bearing: 497 Kips
Allowable Resistance Available: 166 Kips
Est. Length: 24 ft
No. Production Piles: 5
No. Test Piles: 1

DESIGNED	CMF
CHECKED	KCM
DRAWN	EJR
CHECKED	TMM



FIELD CUTTING DIAGRAM
Order v2(E) and v4(E) full length. Cut as shown and use remainder of bars in opposite face.



SEC. B-B THRU ABUT.

BILL OF MATERIAL

Bar	No.	Size	Length	Shape
h(E)	23	#6	12'-9"	—
h1(E)	23	#4	12'-9"	—
p(E)	8	#7	44'-10"	—
p1(E)	1	#4	30'-7"	—
p2(E)	1	#4	29'-1"	—
s2(E)	39	#5	11'-7"	□
s3(E)	2	#5	12'-3"	□
s4(E)	30	#4	5'-2"	□
u(E)	8	#6	7'-7"	∩
v1(E)	82	#5	4'-4"	—
v2(E)	8	#5	12'-6"	—
v3(E)	6	#5	7'-10"	—
v4(E)	8	#5	11'-9"	—
v5(E)	6	#5	7'-7"	—
Structure Excavation		Cu. Yd.	152	
Concrete Structures		Cu. Yd.	21.3	
Reinforcement Bars, Epoxy Coated		Pound	2,770	
Furnishing Steel Piles HP12x63		Foot	120	
Driving Piles		Foot	120	
Test Pile Steel HP12x63		Each	1	
Concrete Encasement		Cu. Yd.	2.1	

Notes
Pour steps monolithically with cap.
The steel H-Piles shall be according to AASHTO M270 Grade 50.
The test pile(s) shall be driven to 110 percent of the Nominal Required Bearing indicated on the pile data information.

NORTH ABUTMENT
IL ROUTE 37 OVER LIMESTONE CREEK
F.A.S. ROUTE 2826 SECTION 110B-1
JEFFERSON COUNTY
STA. 836+80
S.N. 041-0107

McDonough-Whitlow, P.C.
Consulting Engineers & Land Surveyors
138 East Wood Street
Hillsboro, IL 62049
Phone: 217.532.9233
Fax: 217.532.6300
PROFESSIONAL DESIGN NO. 184-002754