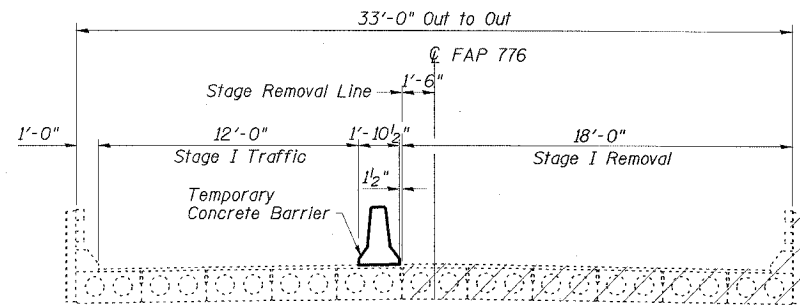


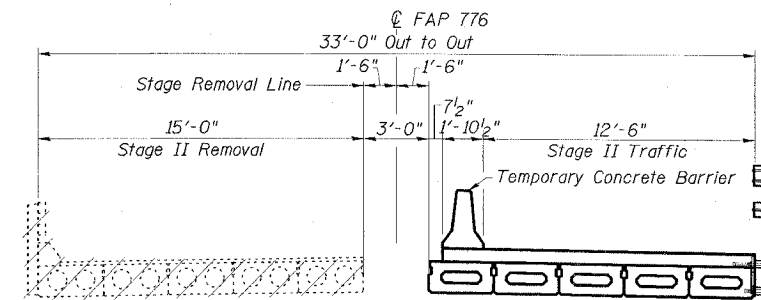
STATE OF ILLINOIS
DEPARTMENT OF TRANSPORTATION

ROUTE NO.	SECTION	COUNTY	SHEET NO.	SHEET	SHEET NO. 3 17 SHEETS
FAP 776	115BR-1	HAMILTON	73	20	
FED. ROAD DIST. NO. 4		ILLINOIS	FED. AID PROJECT		

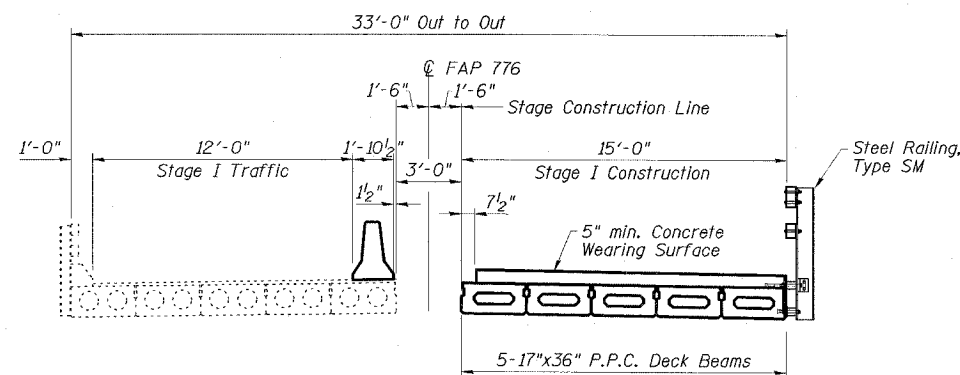
78027



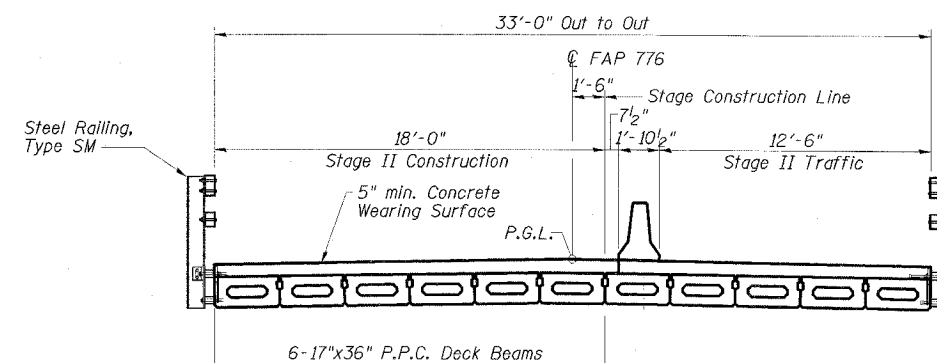
STAGE I REMOVAL



STAGE II REMOVAL



STAGE I CONSTRUCTION



STAGE II CONSTRUCTION

STAGE CONSTRUCTION NOTES

1. All staging sections are looking South.
2. See Dwg. No. 5 of 17 for shear key clamping details.
3. For quantity of Temporary Concrete Barrier, see Roadway Plans.

ESCA CONSULTANTS, INC.		
DESIGNED BY:	DAJ	09/07
DRAWN BY:	HAS	09/07
CHECKED BY:	JMS/ELH	01/08
APPROVED BY:	RDP	01/08

STAGE CONSTRUCTION DETAILS
IL 142 OVER BEAR CREEK
FAP ROUTE 776 - SECTION 115BR-1
HAMILTON COUNTY
STATION 85+05.00
STRUCTURE NO. 033-0016