

STATE OF ILLINOIS
DEPARTMENT OF TRANSPORTATION

ROUTE NO.	SECTION	COUNTY	SHEETS	SHEET	SHEET NO. 13
FAP 776	115BR-1	HAMILTON	73	30	17 SHEETS
FED. ROAD DIST. NO. 4	ILLINOIS	FED. AID PROJECT			

78027

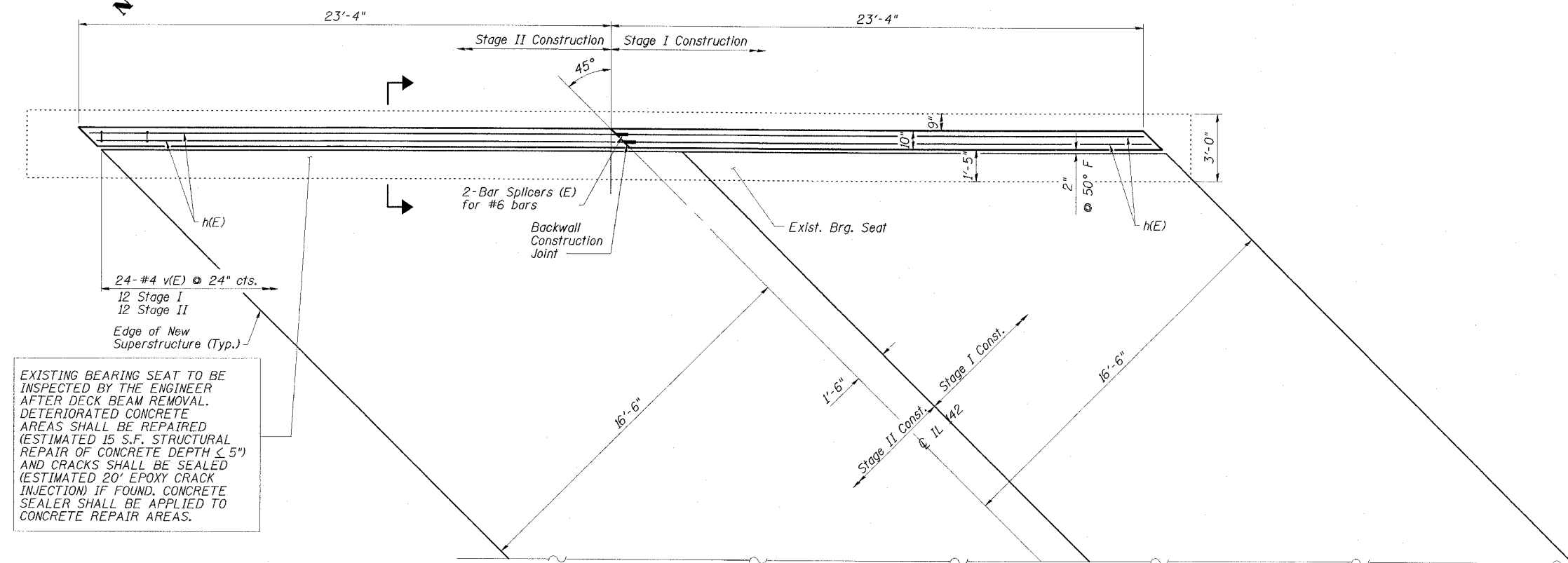
**SOUTH ABUTMENT
BILL OF MATERIAL**

Bar	No.	Size	Length	Shape
h(E)	4	#6	22'-10"	—
v(E)	24	#4	1'-11"	□
Concrete Sealer		Sq. Ft.	44	
Epoxy Crack Injection		Foot	20	
Structural Repair of Concrete (Depth Equal to or Less Than 5")		Sq. Ft.	17	
Concrete Removal		Cu. Yd.	0.9	
Concrete Structures		Cu. Yd.	0.9	
Reinforcement Bars, Epoxy Coated		Pound	170	
Asbestos Bearing Pad Removal		Each	22	
Bar Splicers		Each	2	

REPAIR LEGEND

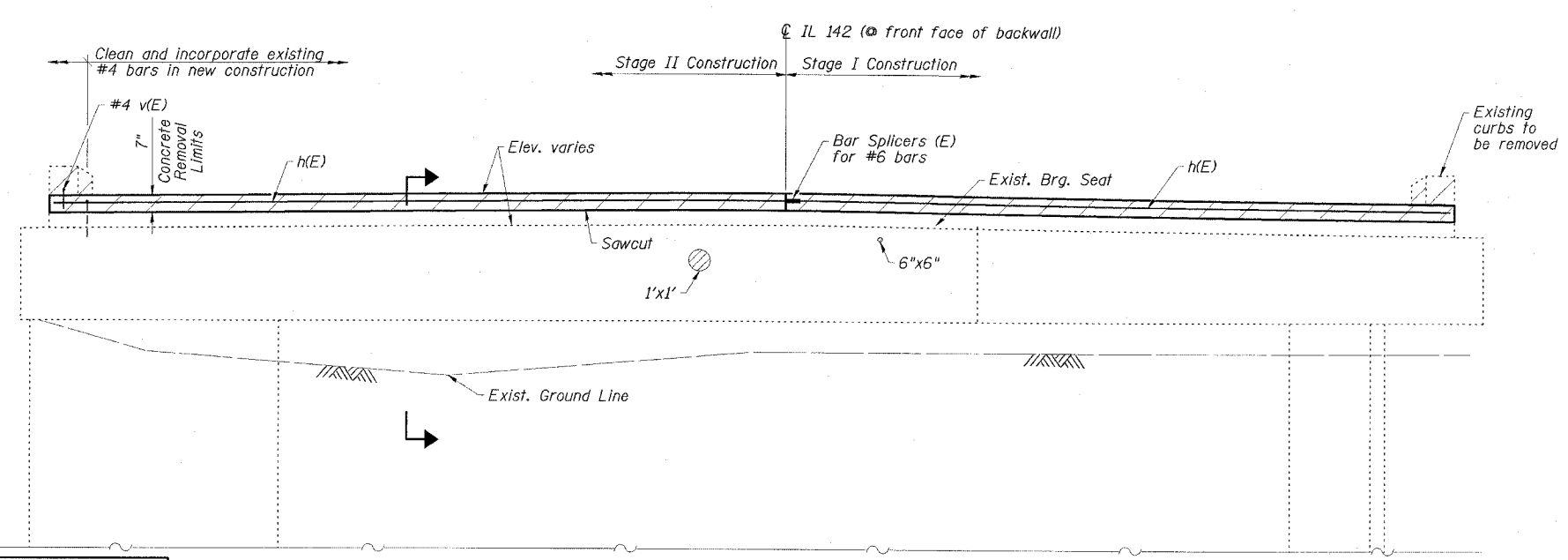
Inspection Date: 12/10/07

- C-6' Crack to be epoxy injected
- Delaminated or Spalled Area - Use Structural Repair of Concrete
- Rust Stain



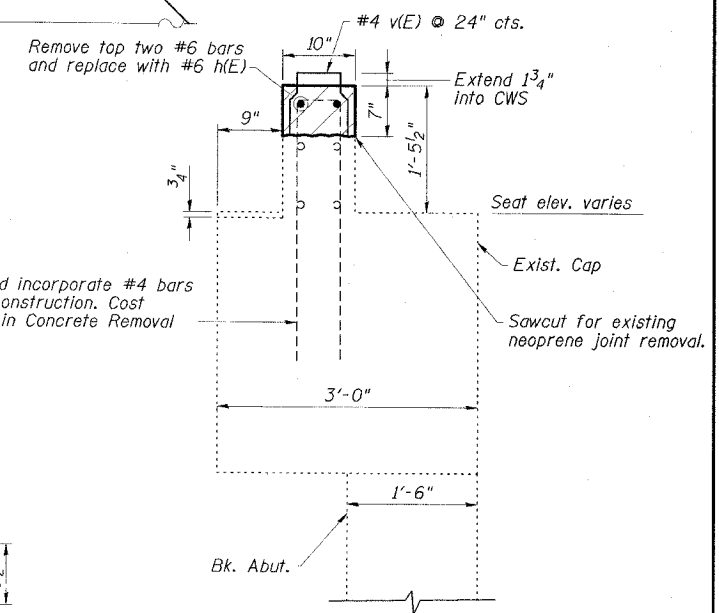
EXISTING BEARING SEAT TO BE INSPECTED BY THE ENGINEER AFTER DECK BEAM REMOVAL. DETERIORATED CONCRETE AREAS SHALL BE REPAIRED (ESTIMATED 15 S.F. STRUCTURAL REPAIR OF CONCRETE DEPTH < 5") AND CRACKS SHALL BE SEALED (ESTIMATED 20' EPOXY CRACK INJECTION) IF FOUND. CONCRETE SEALER SHALL BE APPLIED TO CONCRETE REPAIR AREAS.

PLAN



ELEVATION

NOTE: ABUTMENT CRACK REPAIR LENGTHS AND STRUCTURAL REPAIR OF CONCRETE AREAS ARE ESTIMATED FROM 12-10-07 SURVEY WORK. ACTUAL LOCATIONS AND QUANTITIES OF REPAIRS SHALL BE SHOWN BY THE ENGINEER ON THE AS-BUILT PLANS FOR THIS SECTION.



SECTION THRU ABUTMENT

**SOUTH ABUTMENT
IL 142 OVER BEAR CREEK
FAP ROUTE 776 - SECTION 115BR-1
HAMILTON COUNTY
STATION 85+05.00
STRUCTURE NO. 033-0016**

ESCA
CONSULTANTS, INC.

DESIGNED BY:	DAJ	09/07
DRAWN BY:	HAS	09/07
CHECKED BY:	JMS/ELH	02/08
APPROVED BY:	RDP	02/08