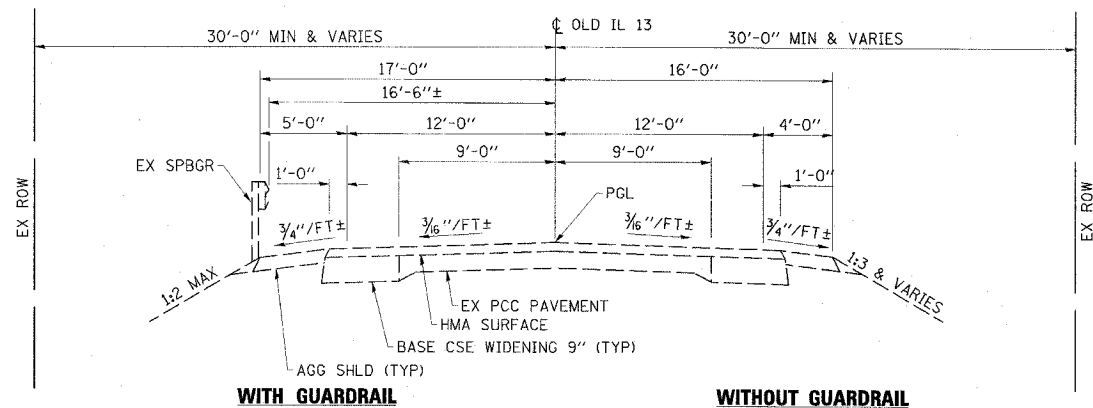
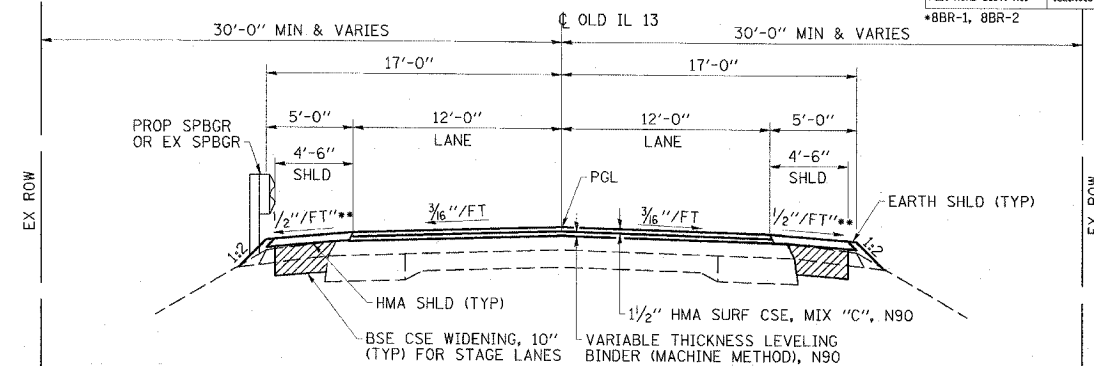




FAS RTE	SECTION	COUNTY	TOTAL SHEETS	SHEET NO.
B99	*	SALINE	75	4
STA.		TO STA.		
FED. ROAD DIST. NO.		ILLINOIS FED. AID PROJECT		
*BBR-1, BBR-2				

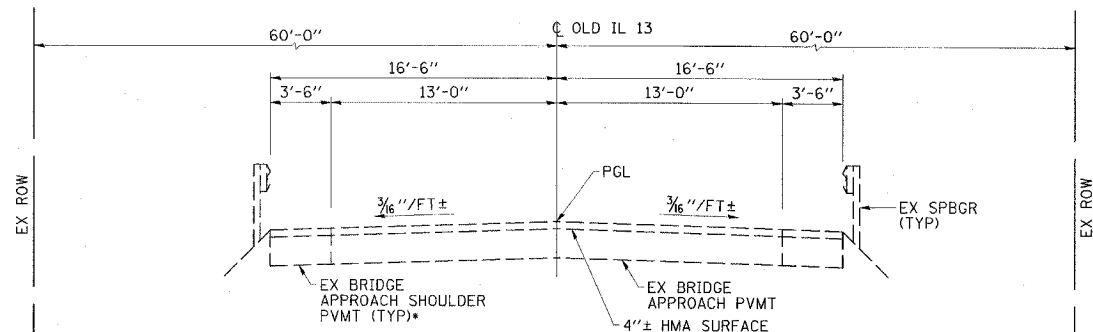


**EXISTING TYPICAL ROADWAY SECTION**  
**STA 659+00 TO 669+47 AND STA 797+00 TO 808+50**  
**OMISSION STA 663+72.87 TO 664+57.13 (SN 083-0035)**  
**OMISSION STA 801+89.42 TO 803+30.58 (SN 083-0036)**



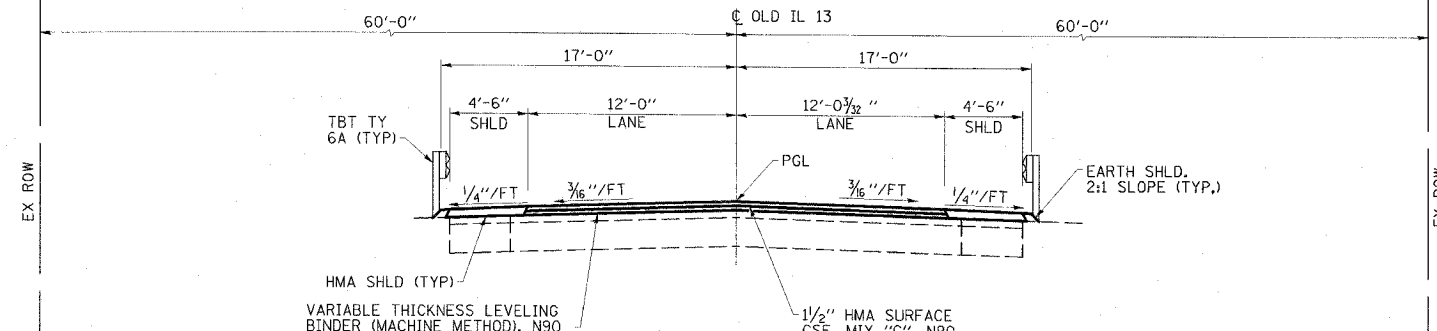
\*\* TRANSITION TO 1/4"/FT NEAR BRIDGE APPROACHS

**PROPOSED TYPICAL ROADWAY SECTION**  
**STA 662+55 TO 663+72.87 AND STA 664+57.13 TO 665+75**  
**STA 801+55 TO 801+89.42 AND STA 803+30.58 TO 804+00**

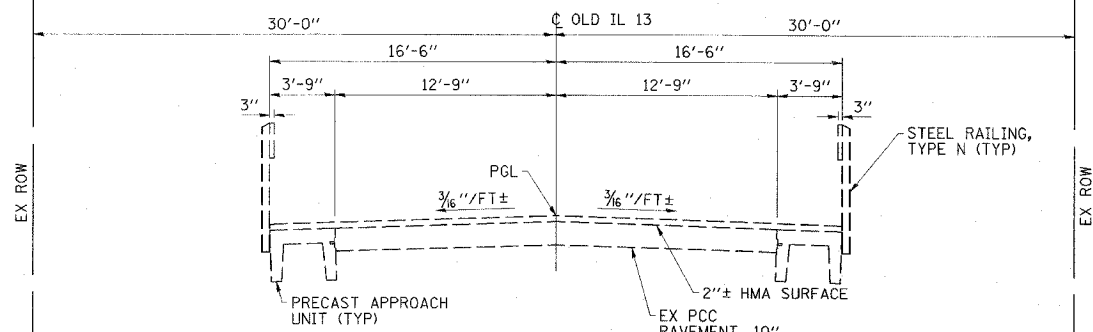


\* 12'-0" (MIN) LENGTH

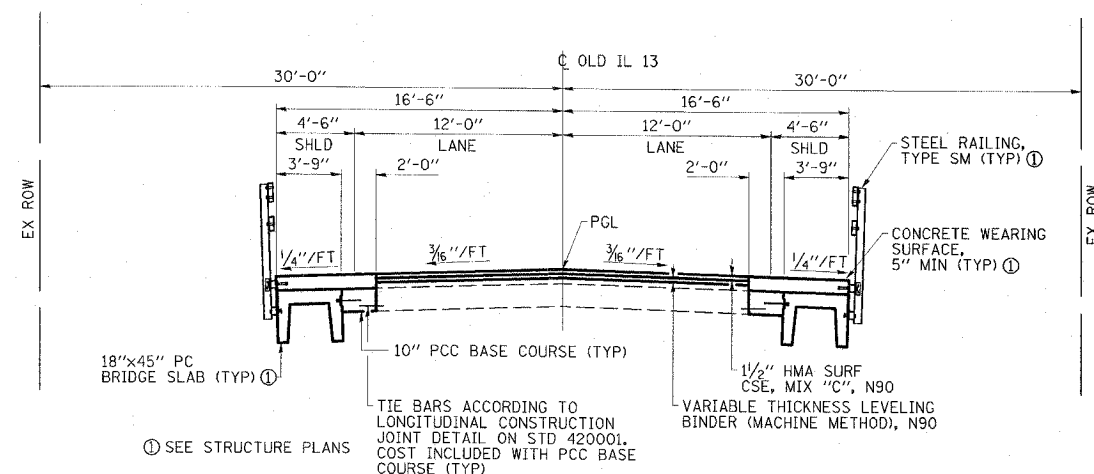
**EXISTING BRIDGE APPROACH SECTION**  
**STA 663+72.87 TO 664+57.13**  
**BRIDGE OMISSION STA 663+97.60 TO 664+32.40**



**PROPOSED BRIDGE APPROACH SECTION**  
**STA 663+72.77 TO 664+57.23**  
**BRIDGE OMISSION STA 663+97.50 TO 664+32.50**



**EXISTING BRIDGE APPROACH SECTION**  
**STA 801+89.42 TO 803+30.58**  
**BRIDGE OMISSION STA 802+08.33 TO 803+11.67**



ⓐ SEE STRUCTURE PLANS

**PROPOSED BRIDGE APPROACH SECTION**  
**STA 801+89.42 TO 803+30.58**  
**BRIDGE OMISSION STA 802+08.33 TO 803+11.67**

**HMA MIXTURES REQUIREMENTS**

LOCATION(S):	HOT MIX ASPHALT SURFACE COURSE AND LEVELING BINDER	BASE COURSE WIDENING	HOT MIX ASPHALT SHOULDERS
MIXTURE USE(S):	HOT MIX ASPHALT SURFACE COURSE, MIX C, N90	HOT MIX ASPHALT BINDER COURSE, N90, IL-19.0	HOT MIX ASPHALT SHOULDERS
AC/PG:	PG64-22	PG64-22	PG58-22
RAP % (MAX): ***	10	10	50
DESIGN AIR VOIDS:	4.0%, 90 GYRATION DESIGN	4.0%, 90 GYRATION DESIGN	2.0%, 30 GYRATION DESIGN
MIXTURE COMPOSITION: (GRADATION MIXTURE)	IL-9.5 OR IL 12.5	IL-19.0	HMA SHOULDERS
FRICITION AGGREGATE:	C SURFACE	NONE	NONE

\*\*\* IF RAP OPTION IS SELECTED, THE ASPHALT CEMENT GRADE MAY NEED TO BE ADJUSTED. THIS WILL BE DETERMINED BY THE ENGINEER.

**ESCA**  
**CONSULTANTS, INC.**

DESIGNED BY:	JMS	11/07
DRAWN BY:	KAH	11/07
CHECKED BY:	MTD	01/08
APPROVED BY:	RDP	01/08

**TYPICAL SECTIONS**  
**FAS RTE 899 (OLD IL 13)**  
**SECTION 8BR-1, 8BR-2**  
**SALINE COUNTY**