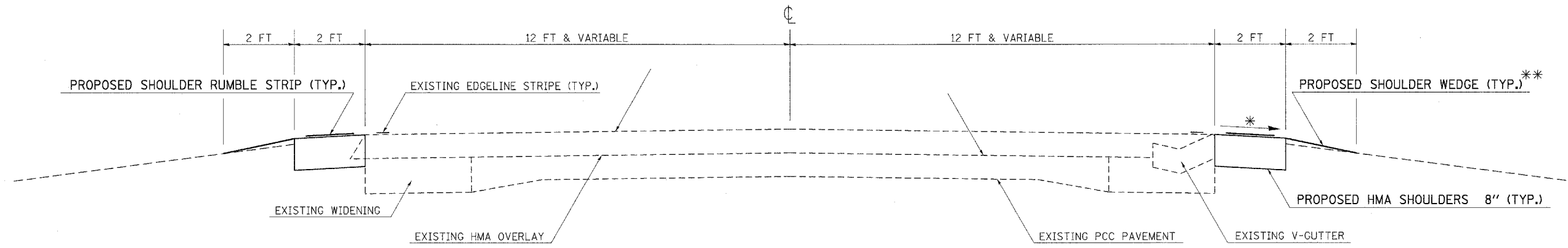


TYPICAL SECTION #1

HMA SHOULDERS  
WITH RUMBLE STRIP



TO BE USED LEFT:

STA 12+20 TO STA 950+00

LEFT OMISSIONS:

|                          |                          |
|--------------------------|--------------------------|
| STA 75+50 TO STA 77+50   | STA 418+50 TO STA 420+90 |
| STA 93+75 TO STA 106+75  | STA 614+10 TO STA 618+10 |
| STA 213+50 TO STA 228+00 | STA 641+00 TO STA 649+15 |
| STA 305+00 TO STA 356+75 | STA 728+15 TO STA 746+90 |
| STA 379+50 TO STA 381+80 | STA 837+10 TO STA 840+38 |

STATION EQUATIONS

|                                   |
|-----------------------------------|
| STA 403+14.2 BK = STA 403+11.8 AH |
| STA 422+00.0 BK = STA 422+03.4 AH |
| STA 521+27.0 BK = STA 575+57.0 AH |
| STA 613+66.6 BK = STA 613+62.4 AH |
| STA 635+00.0 BK = STA 635+20.2 AH |
| STA 701+52.3 BK = STA 701+00.0 AH |
| STA 758+98.4 BK = STA 758+97.7 AH |
| STA 875+23.7 BK = STA 875+00.0 AH |

TO BE USED RIGHT:

STA 14+10 TO STA 950+75

RIGHT OMISSIONS:

|                          |                          |
|--------------------------|--------------------------|
| STA 75+00 TO STA 77+15   | STA 418+50 TO STA 420+90 |
| STA 93+75 TO STA 99+50   | STA 613+20 TO STA 617+40 |
| STA 213+50 TO STA 225+30 | STA 640+00 TO STA 647+80 |
| STA 298+00 TO STA 359+50 | STA 739+95 TO STA 743+25 |
| STA 379+15 TO STA 381+80 | STA 837+35 TO STA 840+43 |

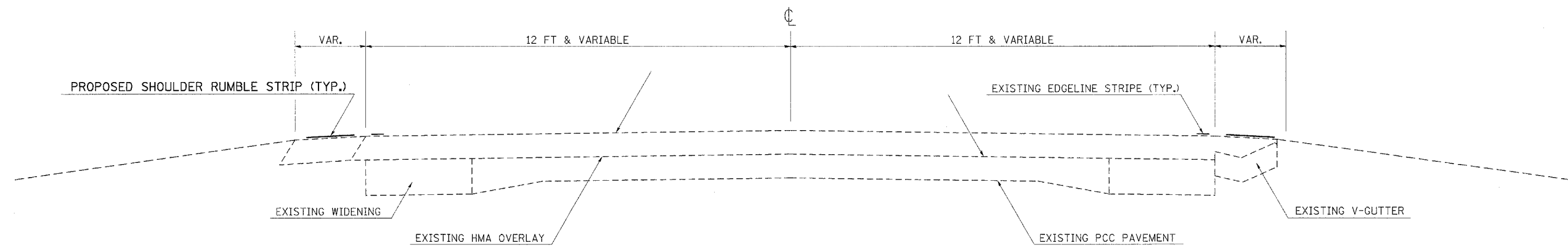
NOTES:

\* 4% PROPOSED SHOULDER SLOPE

\*\* TO BE CONSTRUCTED FROM EXCAVATED SHOULDER MATERIAL WHERE NECESSARY TO TRANSITION TO EXISTING GROUND.

TYPICAL SECTION #2

MILLED RUMBLE STRIP



TO BE USED LEFT:

STA 166+50 TO STA 213+50  
STA 950+00 TO STA 953+40

TO BE USED RIGHT:

STA 166+00 TO STA 213+50  
STA 672+28 TO STA 674+00  
STA 950+75 TO STA 953+40

|  |                             |                |               |   |                         |  |  |   |                  |         |              |           |
|--|-----------------------------|----------------|---------------|---|-------------------------|--|--|---|------------------|---------|--------------|-----------|
| FILE NAME =<br>c:\projects\1907\1907ms.m32 | USER NAME = thomashf        | DESIGNED - --- | REVISED - --- | <b>STATE OF ILLINOIS<br/>DEPARTMENT OF TRANSPORTATION</b> | <b>TYPICAL SECTIONS</b> |  |  | F.A.P. RTE.                                     | SECTION          | COUNTY  | TOTAL SHEETS | SHEET NO. |
|  | PLOT SCALE = 50.0000' / IN. | CHECKED - ---  | REVISED - --- |   |                         |  |  | 881   | D9 SAFETY FY08-1 | VARIOUS | 64           | 5         |
|  | PLOT DATE = 3/18/2008       | DATE - ---     | REVISED - --- |   |                         |  |  | CONTRACT NO. 78038                              |                  |         |              |           |
|  |                             |                |               |   |                         |  |  | FED. ROAD DIST. NO. - ILLINOIS FED. AID PROJECT |                  |         |              |           |