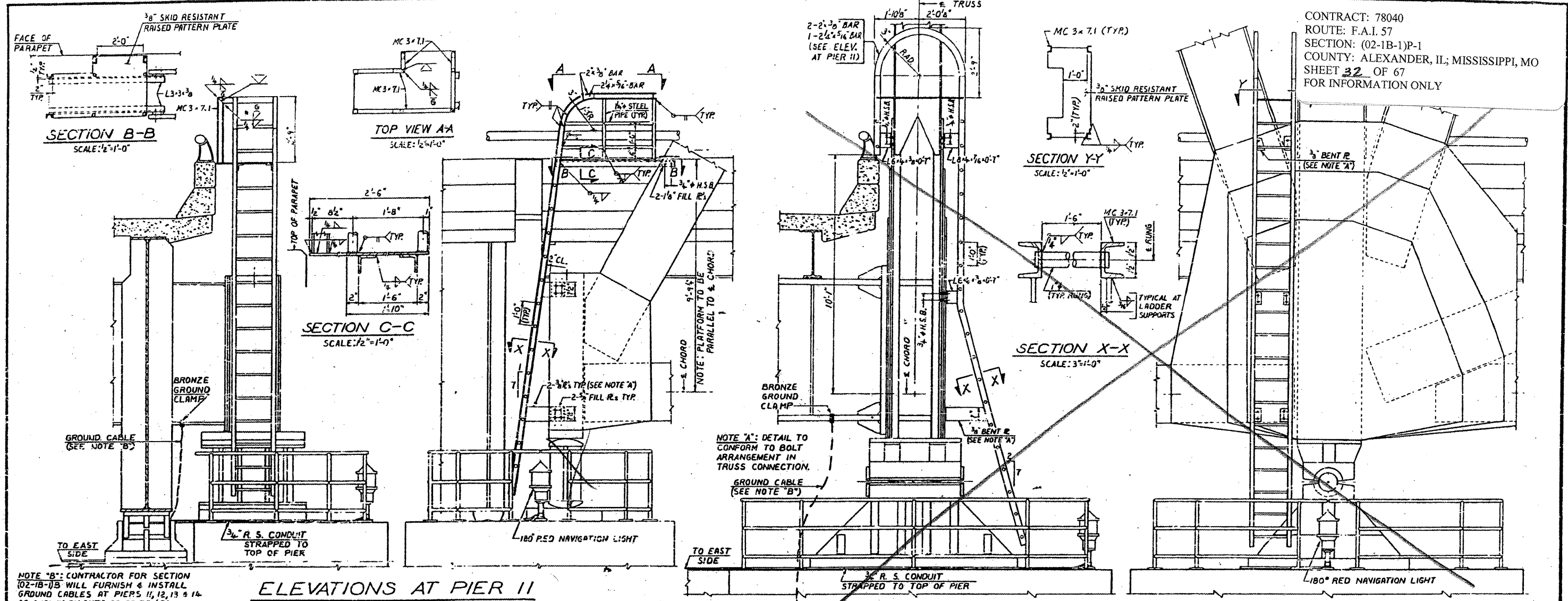


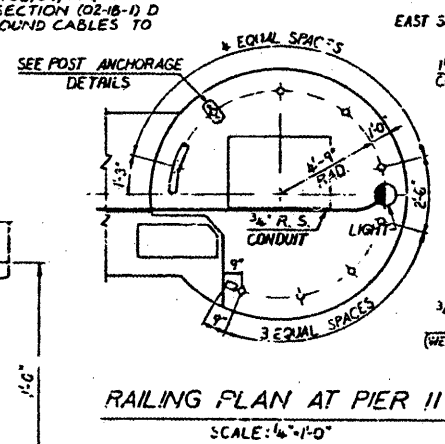
CONTRACT: 78040
 ROUTE: F.A.I. 57
 SECTION: (02-1B-1)P-1
 COUNTY: ALEXANDER, IL; MISSISSIPPI, MO
 SHEET 32 OF 67
 FOR INFORMATION ONLY



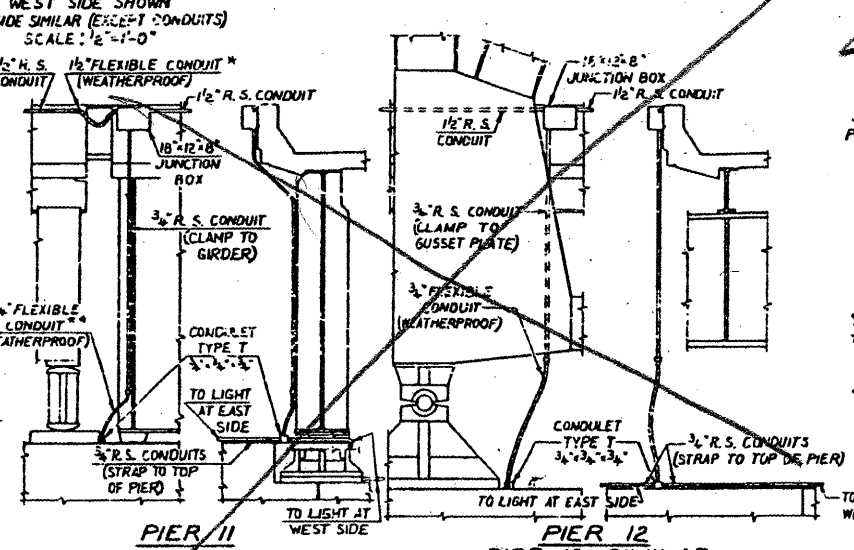
ELEVATIONS AT PIER 11

ELEVATIONS AT PIER 12

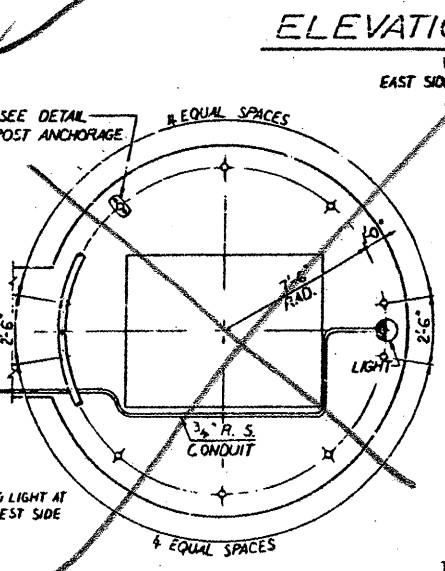
NOTE "B": CONTRACTOR FOR SECTION (02-1B-1)B WILL FURNISH & INSTALL GROUND CABLES AT PIERS 11, 12, 13 & 14 AS SHOWN ON SHTS. 68, 69, 70 & 71. CONTRACTOR FOR SECTION (02-1B-1)D SHALL CONNECT GROUND CABLES TO FLOOR BEAMS.



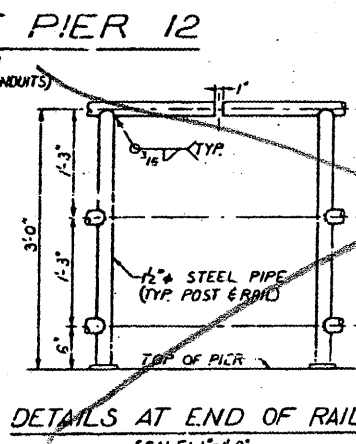
RAILING PLAN AT PIER 11
SCALE: 1/4"=1'-0"



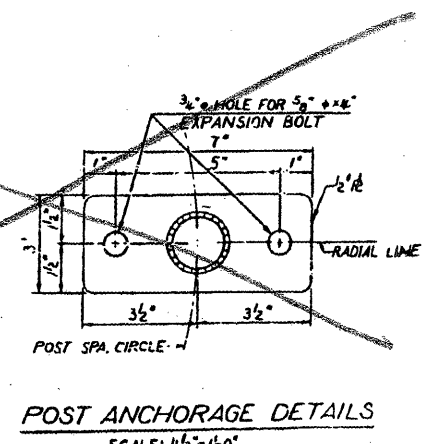
CONDUITS AT EAST SIDE
SCALE: 1/4"=1'-0"



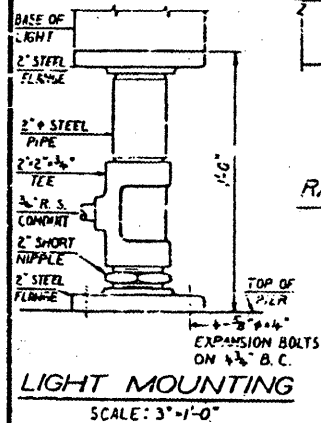
RAILING PLAN AT PIERS 12 & 13
SCALE: 1/4"=1'-0"



DETAILS AT END OF RAIL
SCALE: 1"=1'-0"



POST ANCHORAGE DETAILS
SCALE: 1/2"=1'-0"



LIGHT MOUNTING
SCALE: 3"=1'-0"

BRIDGE NO. 1
 STRUCTURE NO. 002-0022
 FOR INFORMATION ONLY

PIER LIGHT, LADDER & RAILING DETAILS
 F.A.I. RTE. 57 OVER THE MISSISSIPPI RIVER
 PROJECT 1-57-9(1)0
 SECTION (02-1B-1)F&E
 ALEXANDER COUNTY, ILLINOIS
 MISSISSIPPI COUNTY, MISSOURI
 STA. 1141 + 84.75 TO STA. 1182 + 75.25

* MAX. HORIZONTAL MOVEMENT BETWEEN ENDS = 1'-0"
 ** MAX. HORIZONTAL MOVEMENT BETWEEN ENDS = 7"