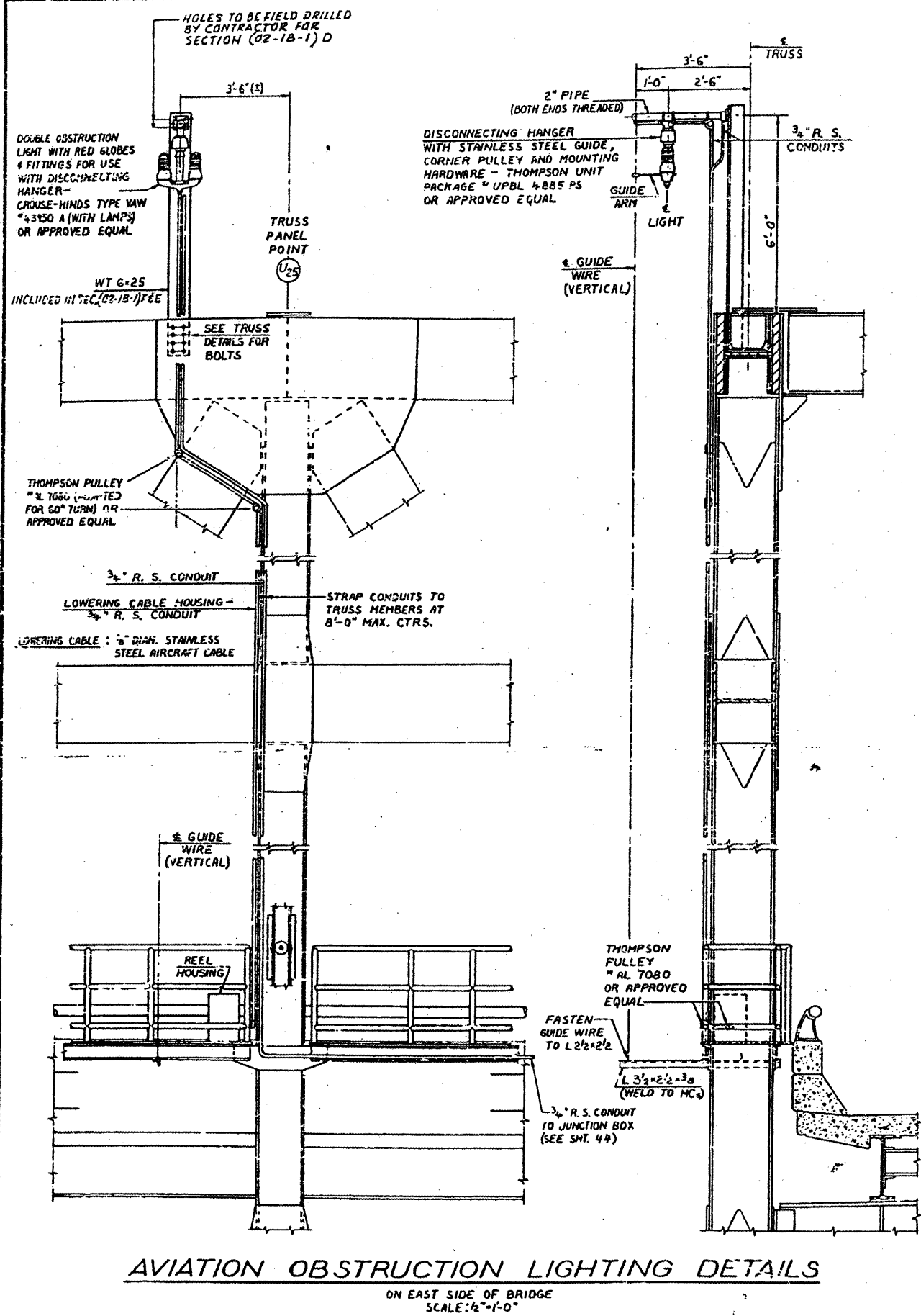
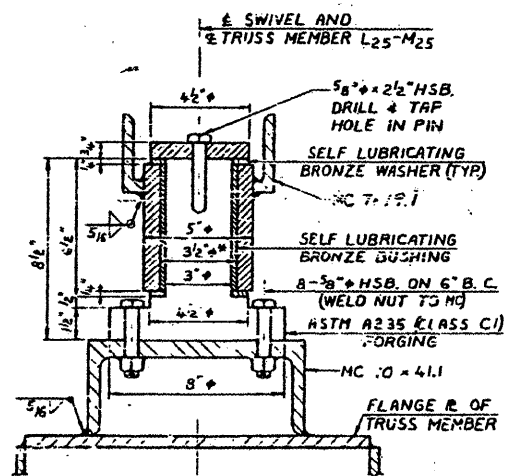
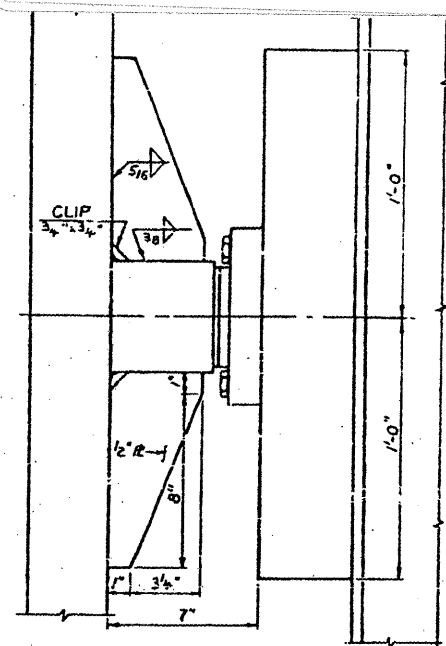
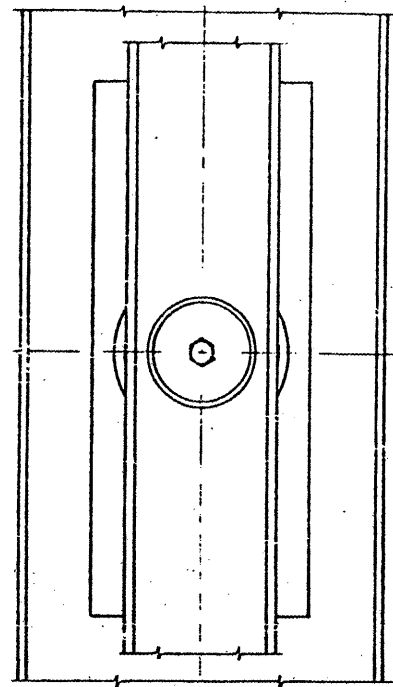


CONTRACT: 78040  
 ROUTE: F.A.I. 57  
 SECTION: (02-1B-1)P-1  
 COUNTY: ALEXANDER, IL; MISSISSIPPI, MO  
 SHEET 34 OF 67  
 FOR INFORMATION ONLY



**AVIATION OBSTRUCTION LIGHTING DETAILS**  
 ON EAST SIDE OF BRIDGE  
 SCALE: 1/2" = 1'-0"



CLEARANCES AND SURFACE FINISHES SHALL BE AS REQUIRED FOR PROPER OPERATION OF THE SELF LUBRICATING BUSHING AND WASHERS  
 \* INTERFERENCE FIT BETWEEN BUSHING & HOUSING

**SWIVEL FOR NAVIGATION LIGHT SUSPENSION IN SPAN 13**  
 SCALE: 3/4" = 1'-0"

BRIDGE NO. 1  
 STRUCTURE NO. 002-0022  
 FOR INFORMATION ONLY

AVIATION OBSTRUCTION LIGHT TAILS  
 F.A.I. RTE. 57 OVER THE MISSISSIPPI RIVER  
 PROJECT 1-57-9(10)  
 SECTION (02-1B-1)F&E  
 ALEXANDER COUNTY, ILLINOIS  
 MISSISSIPPI COUNTY, MISSOURI  
 STA. 1141 + 84.75 TO STA. 1182 + 75.25