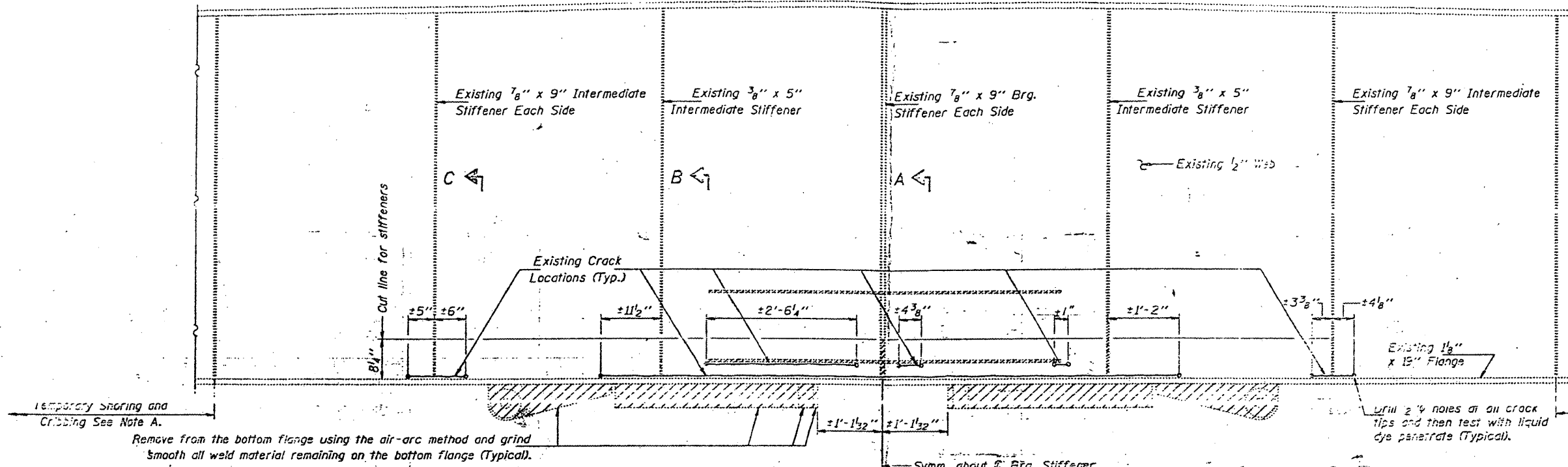
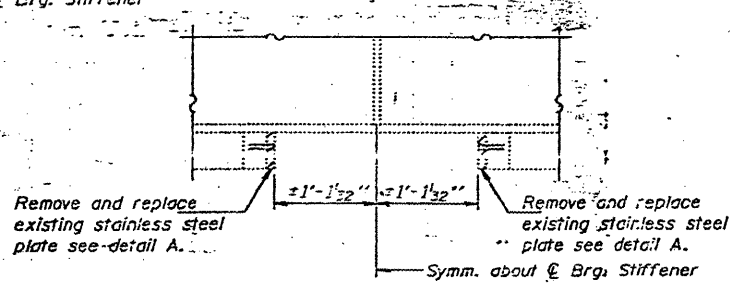


STATE OF ILLINOIS
DEPARTMENT OF TRANSPORTATION

CONTRACT: 78040
ROUTE: F.A.I. 57
SECTION: (02-1B-1)P-1
COUNTY: ALEXANDER, IL; MISSISSIPPI, MO
SHEET 41 OF 67
FOR INFORMATION ONLY

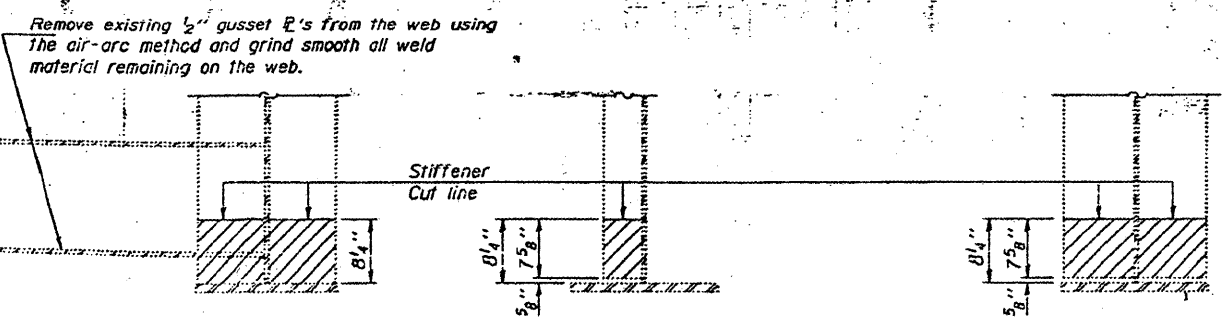


**PARTIAL ELEVATION
NORTH END FLOOR BEAM
AT PIER 11**
Hatched areas indicate removal.

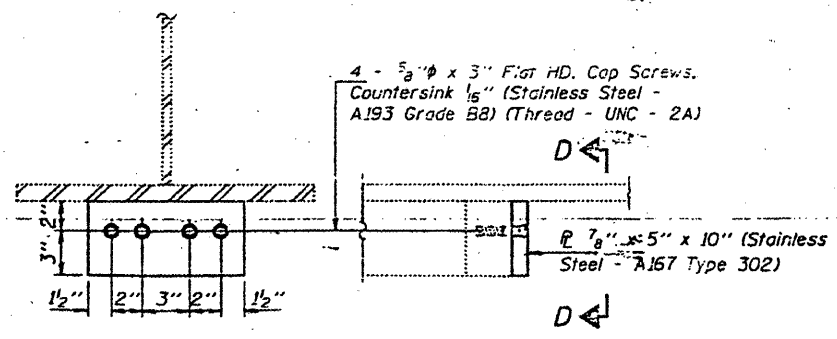


**PARTIAL ELEVATION
SOUTH END FLOOR BEAM
AT PIER 14**

Note A: At Pier 11, Temporary Shoring and Cribbing shall be placed between the existing floorbeam and the top of the pier during repair operations and traffic shall be restricted to lanes which are not directly over the area of the floorbeam being repaired.



SECTION A-A SECTION B-B SECTION C-C



SECTION D-D DETAIL A

Note: Cost of 5/8\"/>

BRIDGE NO. 1
STRUCTURE NO. 002-0022
FOR INFORMATION ONLY

FLOOR BEAM REPAIRS
F.A.I. RT. 57 SEC. (02-1B-1) (DL-93)
ALEXANDER COUNTY
STA. 1168+50
STR. No. 002-0022

DESIGNED <i>Kenneth P. Stult</i>	March 8 1993
CHECKED <i>CHM</i>	EXAMINED <i>Joseph E. Adams</i>
DRAWN <i>Paul Summer</i>	PASSED
CHECKED <i>KPS CHM</i>	APPROVED