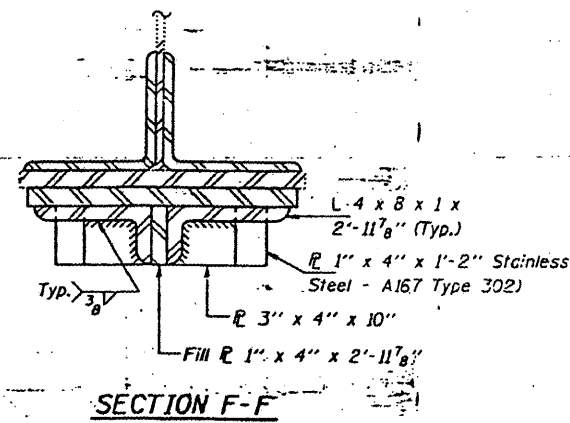
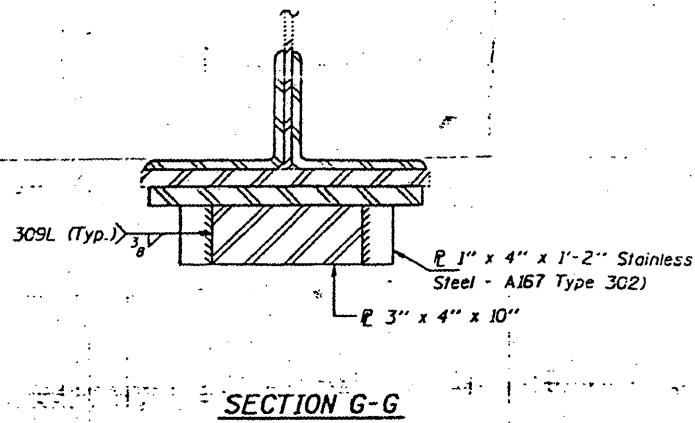
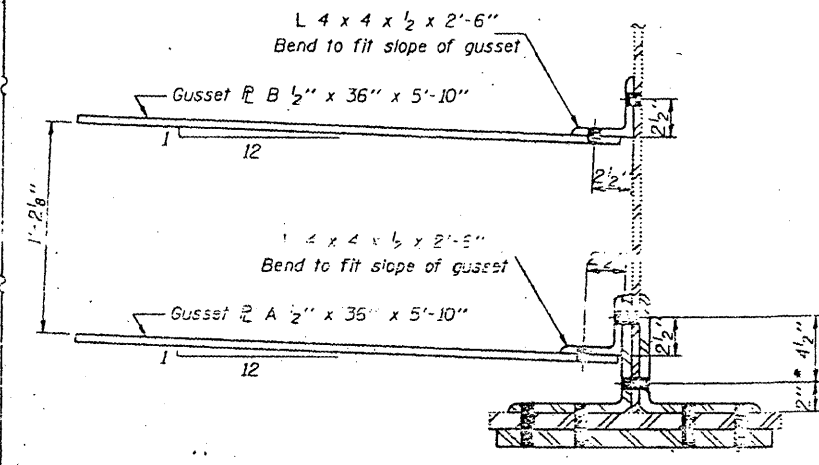
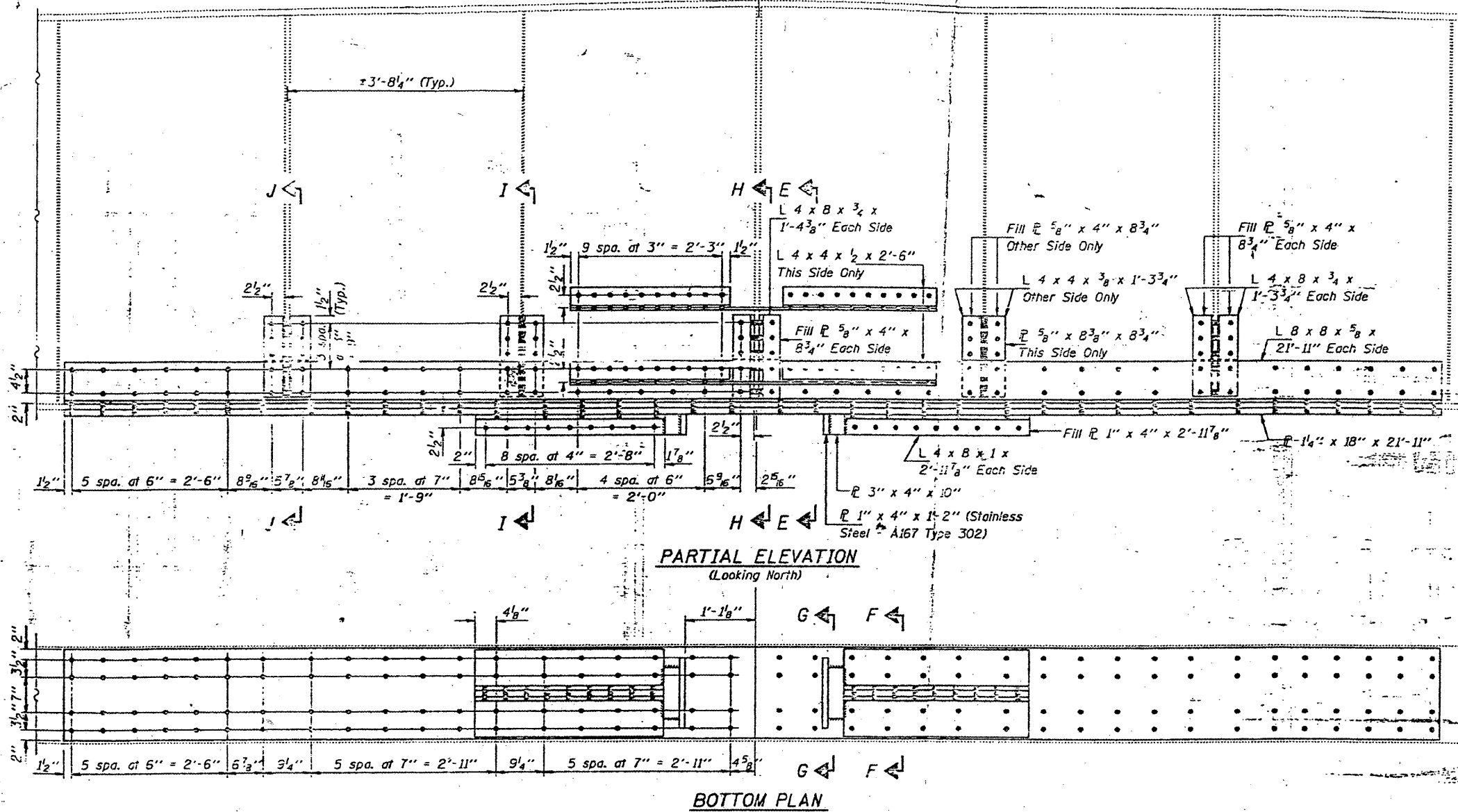


STATE OF ILLINOIS  
DEPARTMENT OF TRANSPORTATION

CONTRACT: 78040  
ROUTE: F.A.I. 57  
SECTION: (02-1B-1)P-1  
COUNTY: ALEXANDER, IL; MISSISSIPPI, MO  
SHEET 42 OF 67  
FOR INFORMATION ONLY

Symm. about C Brg. Stiffener



BRIDGE NO. 1  
STRUCTURE NO. 002-0022  
FOR INFORMATION ONLY

FLOOR BEAM REPAIRS  
F.A.I. RT. 57 SEC. (02-1B-1) (DL-93)  
ALEXANDER COUNTY  
STA. 1168+50  
STR. No. 002-0022

DESIGNED <i>Henneth P. Slatto</i>	EXAMINED <i>Joseph E. Adams</i>
CHECKED <i>CHM</i>	PASSED
DRAWN <i>Paul Summer</i>	APPROVED
CHECKED <i>KPI CHM</i>	

March 8 19 23

ENGINEER OF STRUCTURAL SCIENCES

ENGINEER OF BRIDGES AND STRUCTURES

DIRECTOR OF HIGHWAYS