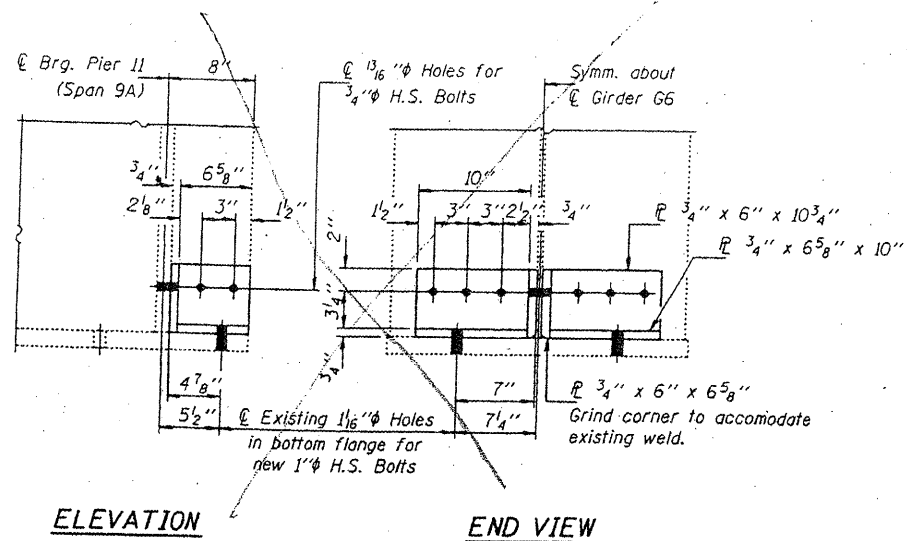


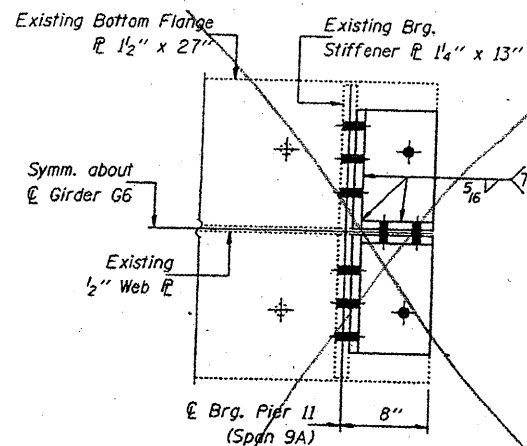
STATE OF ILLINOIS
DEPARTMENT OF TRANSPORTATION

CONTRACT: 78040
ROUTE: F.A.I. 57
SECTION: (02-1B-1)P1
COUNTY: ALEXANDER, IL; MISSISSIPPI, MO
SHEET 67 OF 67
FOR INFORMATION ONLY



ELEVATION

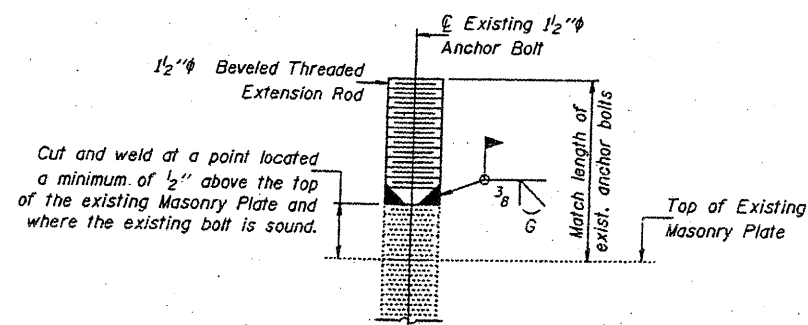
END VIEW



PLAN

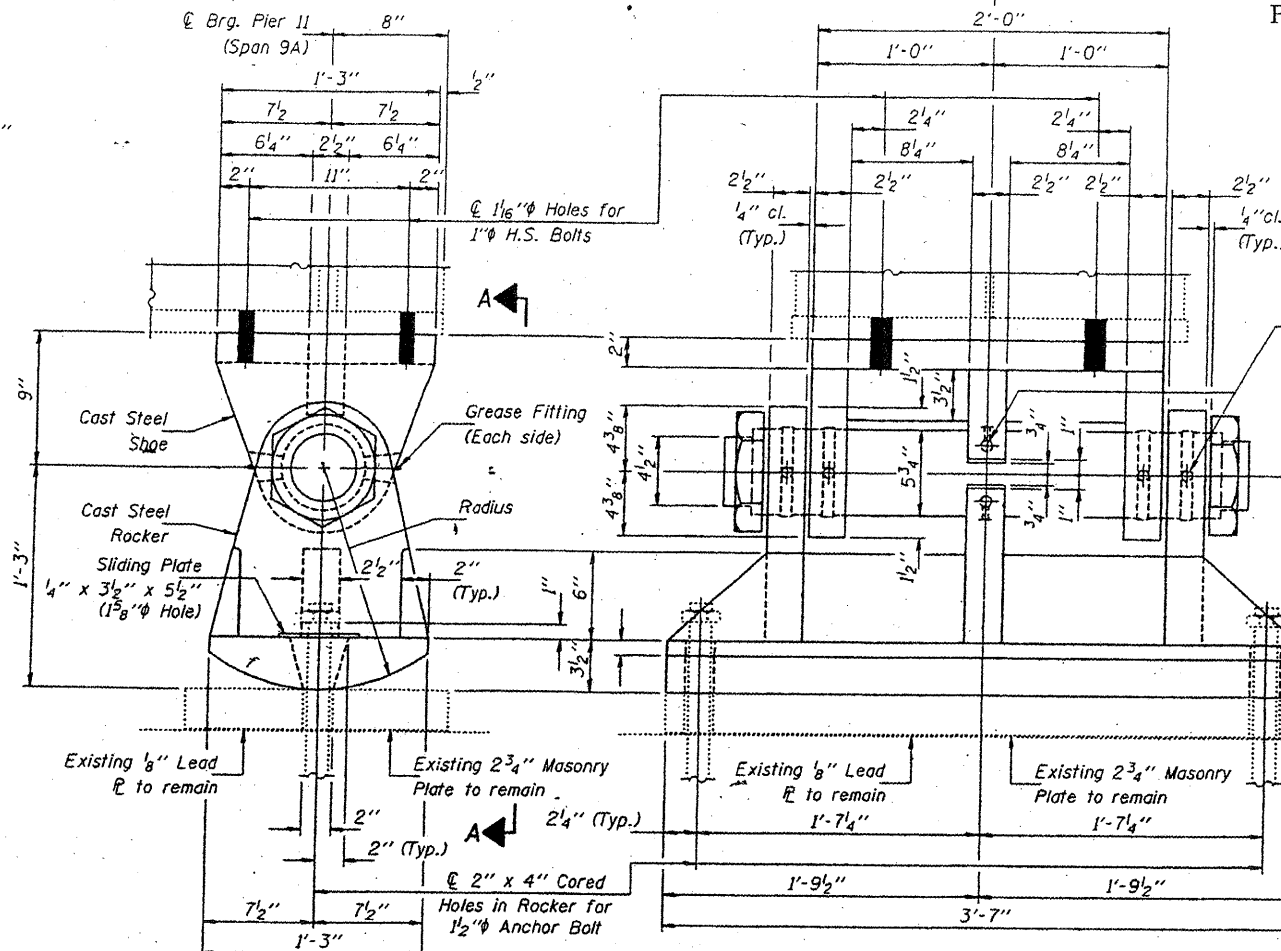
GIRDER G6 CRACK REPAIR

Notes:
The cost of all field drilling required for installation of the steel members is included with Furnishing and Erecting Structural Steel.
Estimated weight of Structural Steel for this repair = 80 Lbs.



ANCHOR BOLT REPAIR DETAIL

The cost of furnishing and installation of required Anchor Bolt Extensions included with Furnishing and Erecting Structural Steel.



ELEVATION

VIEW A-A

GREASE GROOVE ON SADDLE

* Note:
Grease bearing assembly with molybdenum grease before installation.

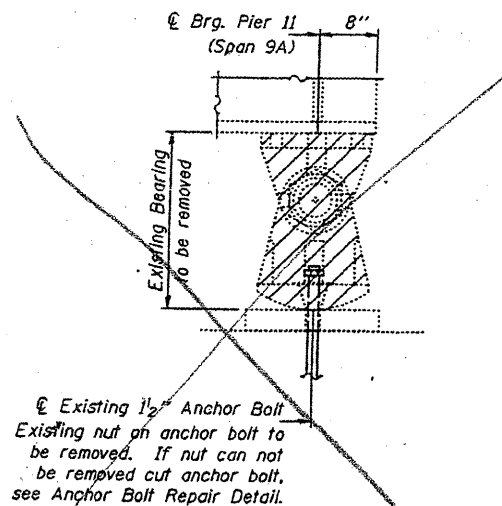
* Drill 1/4 inch Holes to grease groove. Drill and tap for grease fitting. (Typ.)

Bore 5 3/4 inch + 1/32 inch for Standard Steel Case Hardened Pin (See Standard Specifications) Recessed Hex. Nut

REACTION TABLE	
Q	(k) 276.3
L	(k) 115.9
Imp.	(k) 11.6
Total	(k) 403.8

Minimum Jack Capacity = 255 Tons.

Notes:
Cast Steel shall conform to A.S.T.M. A486-64, Class 70, normalized.
Forged Steel shall conform to A.S.T.M. A235-64, Class F.
All other material shall conform to A.S.T.M. A36 except as otherwise noted.
Structural Steel weldments of equal section and strength may be substituted for the castings subject to approval of Engineer.
Fillet or partial penetration weld shall be used for weldments. Minimum weld size shall be 1/4 the thickness of plate being welded, except maximum size of weld need not exceed 3/4 inch.
The estimated weight of Structural Steel for the bearing replacement = 1090 Lbs.
Cost included with Furnishing & Erecting Structural Steel. Prior to ordering any material, the Contractor shall verify in the field all bearing heights and shim thickness dimensions.



EXISTING BEARING REMOVAL DETAIL

DESIGNED	V.H.V.
CHECKED	P.S.J.
DRAWN	John F. Schueler Jr.
CHECKED	V.H.V. P.S.J.

FEBRUARY 4, 2002

EXAMINED *John A. Morris*
ENGINEER OF STRUCTURAL SERVICES

PASSED
ENGINEER OF BRIDGES AND STRUCTURES

BRIDGE NO. 1
STRUCTURE NO. 002-0022
FOR INFORMATION ONLY

GIRDER CRACK REPAIR
& BEARING REPLACEMENT
GIRDER 6 - SPAN 9A
F.A.I. 57 OVER MISSISSIPPI RIVER
ALEXANDER COUNTY
S.N. 002-0022