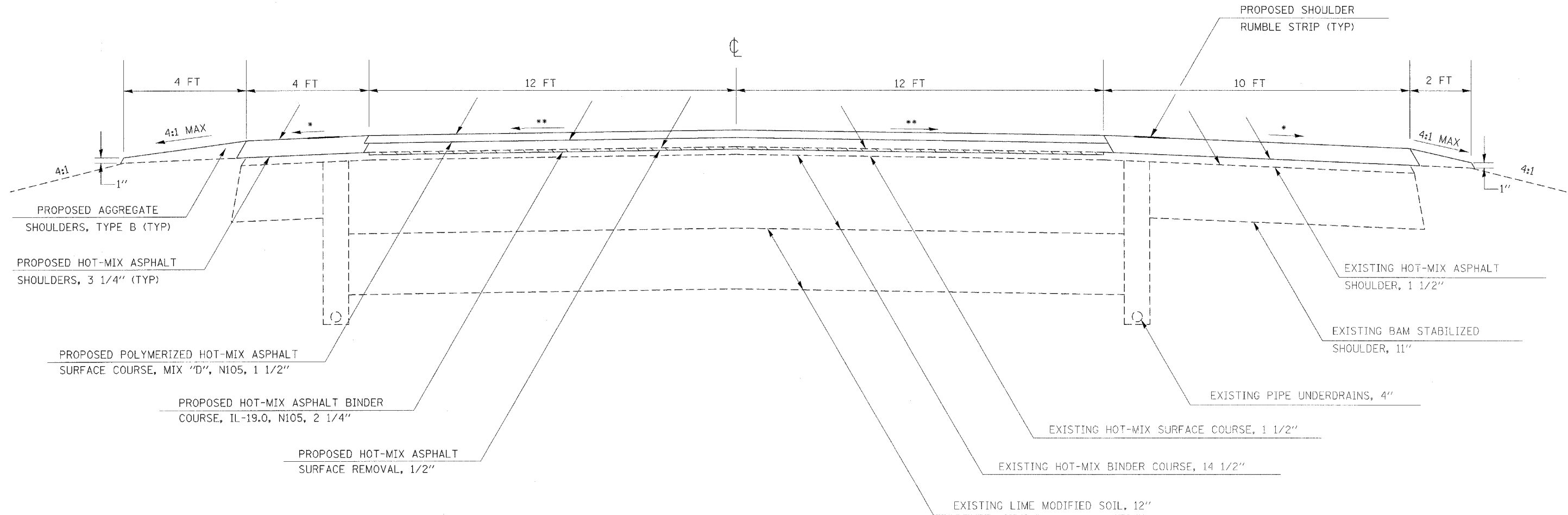


TYPICAL SECTION 1
 PULASKI COUNTY
 SB LANES
 F. A. I. RTE. 57
 (LOOKING IN DIRECTON OF TRAVEL)



* MATCH EXISTING SHOULDER SLOPE UP TO 6% MAXIMUM
 ** MATCH EXISTING SLOPE

TO BE USED:
 STA 471+90 TO STA 510+00
 STA 600+00 TO STA 688+75

FILE NAME = c:\projects\78051\78051-misc.dgn	USER NAME = carlsonj	DESIGNED -	REVISED -	STATE OF ILLINOIS DEPARTMENT OF TRANSPORTATION	TYPICAL SECTIONS				F.A.I. RTE. 57	SECTION 77-12,3RS	COUNTY PULASKI	TOTAL SHEETS 4	SHEET NO. 4
PLOT SCALE = 5.0000" / IN.		CHECKED -	REVISED -		SCALE: SHEET NO. OF SHEETS STA. TO STA.				CONTRACT NO. 78051				
PLOT DATE = 3/18/2008		DATE -	REVISED -						ILLINOIS FED. AID PROJECT				