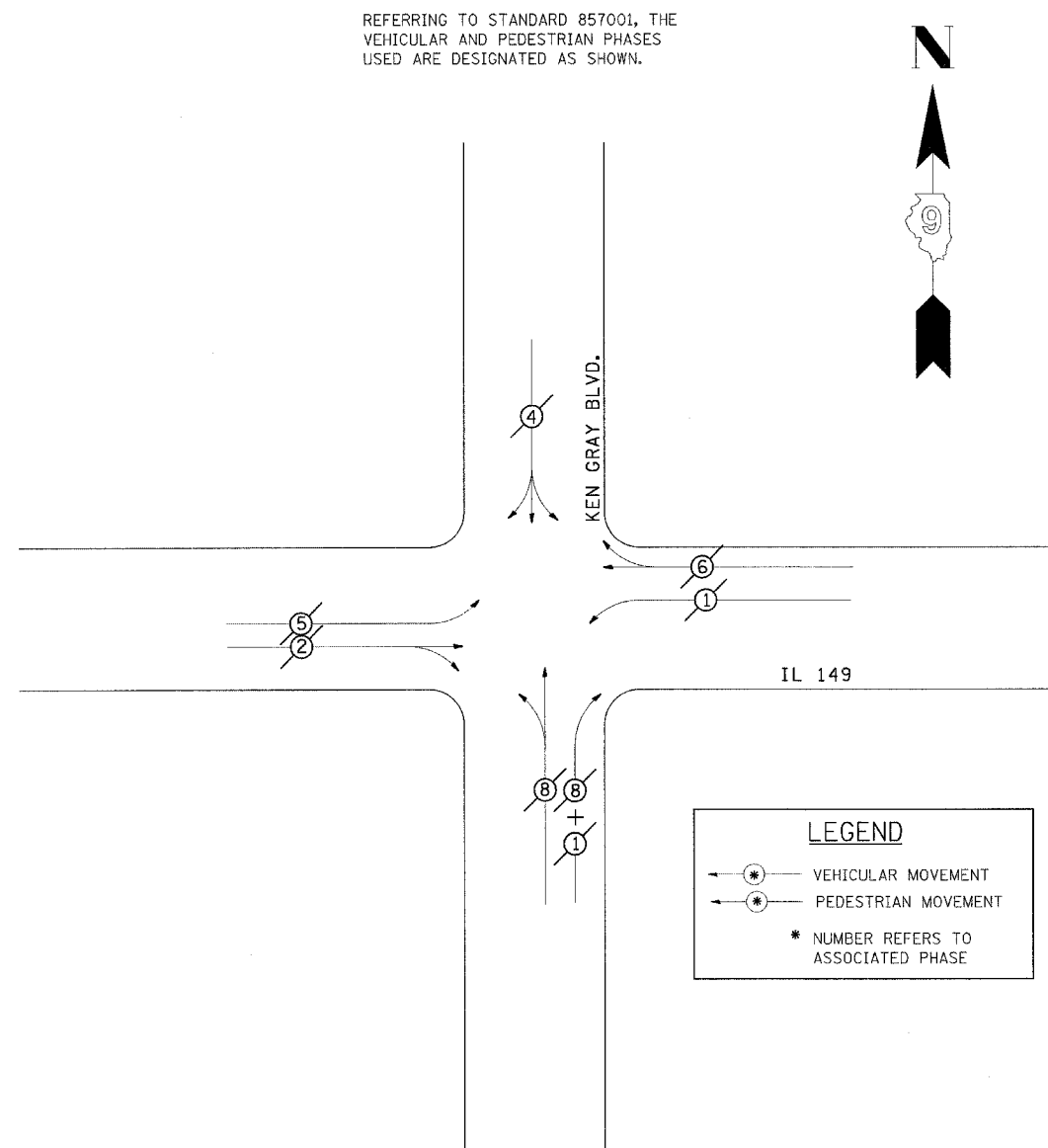


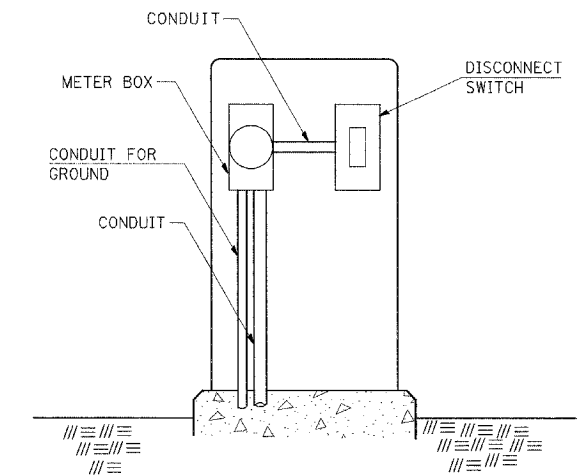
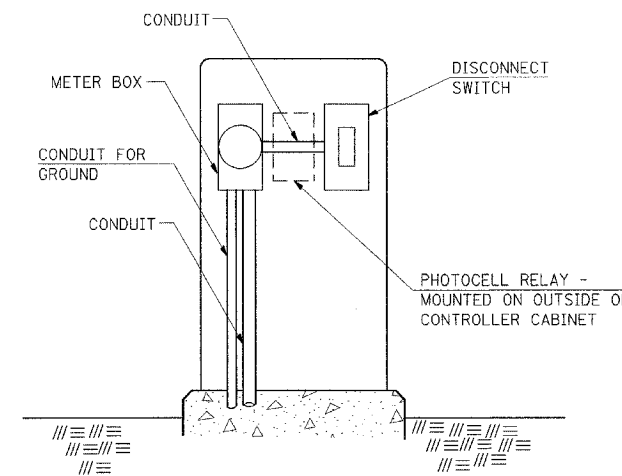
# PHASE DESIGNATION DIAGRAM

CONTROLLER SPECIFIED: FULL ACTUATED CONTROLLER, STANDARD SEQUENCE IV, 8 PHASE, TYPE IV CONTROLLER CABINET

REFERRING TO STANDARD 857001, THE VEHICULAR AND PEDESTRIAN PHASES USED ARE DESIGNATED AS SHOWN.



# SERVICE INSTALLATION DETAILS



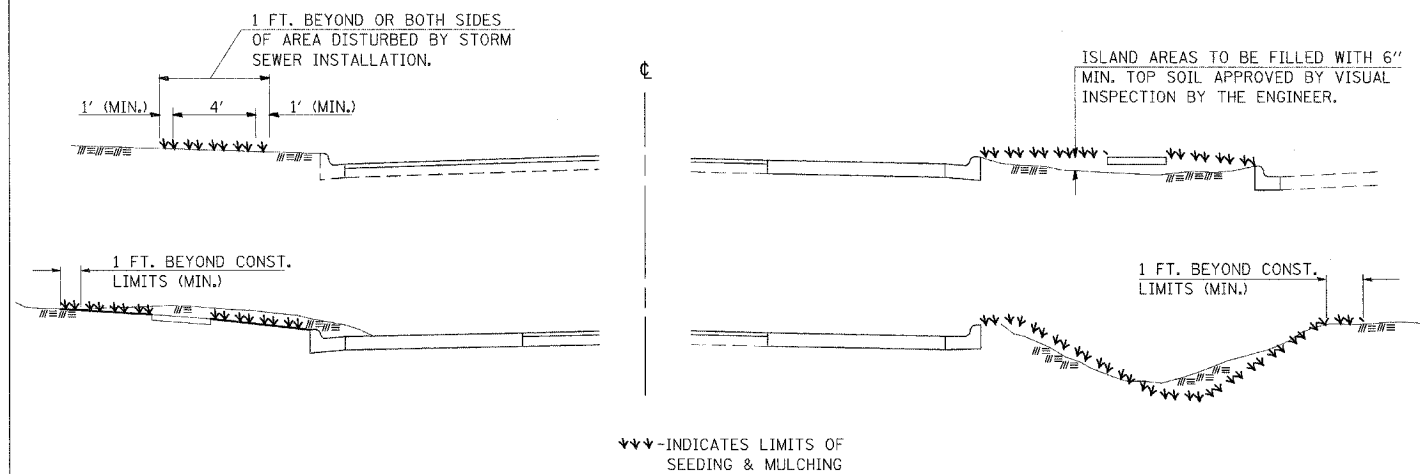
SERVICE INSTALLATION (SPECIAL) WITH PHOTOCELL RELAY

SERVICE INSTALLATION (SPECIAL)

**NOTE:**  
MATERIAL AND SIZE OF CONDUIT AND CABLE AS REQUIRED BY UTILITY COMPANY

REVISIONS	
DRAWN	1-31-90
REVISED	2-24-92
REVISED	
REVISED	

# SEEDING & MULCHING



## GENERAL NOTES

IN GENERAL, ALL EARTH SURFACES DISTURBED DURING CONSTRUCTION OPERATIONS SHALL BE SEEDED AND MULCHED UPON COMPLETION OF ALL GRADING OPERATIONS.

FERTILIZER NUTRIENTS AND LIMESTONE SHALL BE APPLIED TO ALL SEEDED AREAS.

THE RATES OF APPLICATION OF FERTILIZER, MULCH AND LIMESTONE SHALL BE AS SPECIFIED IN THE SPECIAL PROVISIONS.

SECTIONS 250 AND 251 OF THE STANDARD SPECIFICATIONS SHALL GOVERN THIS WORK EXCEPT AS SPECIFIED HEREIN OR AS NOTED IN THE SPECIAL PROVISIONS.

REVISIONS	
DRAWN	1-31-90
REVISED	5-30-90
REVISED	12-10-01

STD. 9-66

STATE OF ILLINOIS  
DEPARTMENT OF TRANSPORTATION

DETAILS

SCALE: SHEET NO. OF SHEETS STA. TO STA.

F.A. RTE.	SECTION	COUNTY	TOTAL SHEETS	SHEET NO.
873	(28-5) TS-3,N-1	FRANKLIN	38	22
CONTRACT NO. 78055				

STD. 9-52

REVISIONS	
DRAWN	6-15-89
REVISED	8-16-94
REVISED	
REVISED	

FILE NAME =	USER NAME = nasscp	DESIGNED -	REVISED -
ct:\projects\78055\978055_sht_m.scdgn		DRAWN -	REVISED -
		CHECKED -	REVISED -
		DATE -	REVISED -