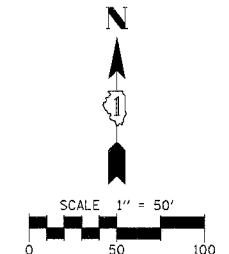
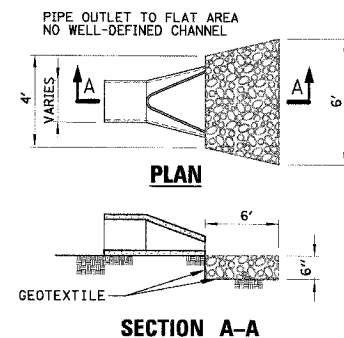


F.A.U. RTE.	SECTION	COUNTY	TOTAL SHEETS	SHEET NO.
369	00-00018-00-PV	COOK	20	9
STA. 20+49.21	TO STA. 32+50			
FED. ROAD DIST. NO. 1 ILLINOIS		FED. AID PROJECT		

CONTRACT NO. 83897



**ROCK CHECKS FOR WATERWAYS**



- NOTES:
- THE FILTER FABRIC SHALL MEET THE REQUIREMENTS IN MATERIAL SPECIFICATIONS 592 GEOTEXTILE TABLE 1 OR 2, CLASS 1, II OR III.
  - THE ROCK RIPRAP SHALL MEET THE IDOT REQUIREMENTS FOR THE FOLLOWING GRADATION: RR CLASS A1.
  - THE RIPRAP SHALL BE PLACED ACCORDING TO CONSTRUCTION SPECIFICATION 61 LOOSE ROCK RIPRAP. THE ROCK MAY BE EQUIPMENT PLACED.

**RIPRAP**

**EROSION CONTROL DETAIL**

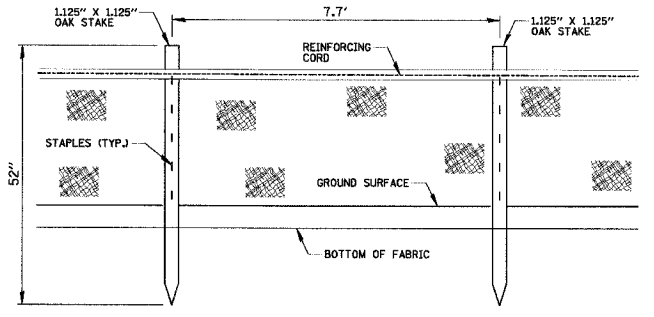
**PLANTING SCHEDULE**

STABILIZATION TYPE	JAN.	FEB.	MAR.	APR.	MAY	JUNE	JULY	AUG.	SEPT.	OCT.	NOV.	DEC.
PERMANENT SEEDING			A			*	*					
SEEDING CLASS 2A				B		*	*					
SODDING			*	*								
EROSION CONTROL BLANKET						*	*					

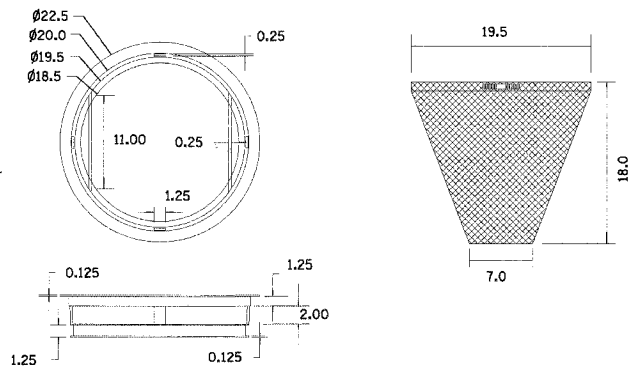
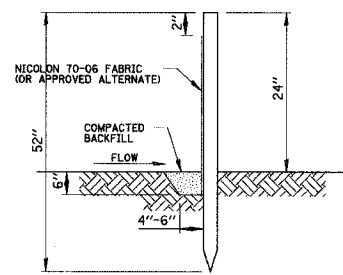
- A ALTA FESCUE 50 LBS/ACRE  
ANNIAL RYE 10 LBS/ACRE  
DAWSONS RED FESCUE 10 LBS/ACRE  
SCALDIS HARD FESCUE 10 LBS/ACRE  
FULTS SALT GRASS 30 LBS/ACRE
- B CLASS 2A (SEE SEED LIST)
- IRRIGATION NEEDED DURING JUNE AND JULY.
  - IRRIGATION NEEDED FOR 2 TO 3 WEEKS AFTER APPLYING SOD.

**NOTES**

- UNLESS OTHERWISE INDICATED, ALL VEGETATIVE AND STRUCTURAL EROSION AND SEDIMENT CONTROL PRACTICES WILL BE CONSTRUCTED ACCORDING TO MINIMUM STANDARDS AND SPECIFICATIONS IN THE ILLINOIS URBAN MANUAL REVISED DECEMBER 2002.
- THE KANE-DUPAGE SOIL AND WATER CONSERVATION DISTRICT (KDSWCD) MUST BE NOTIFIED ONE WEEK PRIOR TO THE PRE-CONSTRUCTION CONFERENCE, ONE WEEK PRIOR TO THE COMMENCEMENT OF LAND DISTURBING ACTIVITIES, AND ONE WEEK PRIOR TO THE FINAL INSPECTION.
- A COPY OF THE APPROVED EROSION AND SEDIMENT CONTROL PLAN SHALL BE MAINTAINED ON THE SITE AT ALL TIMES.
- PRIOR TO COMMENCING LAND-DISTURBING ACTIVITIES IN AREAS OTHER THAN INDICATED ON THESE PLANS (INCLUDING BUT NOT LIMITED TO, ADDITIONAL PHASES OF DEVELOPMENT AND OFF-SITE BORROW OR WASTE AREAS) A SUPPLEMENTARY EROSION CONTROL PLAN SHALL BE SUBMITTED TO THE OWNER FOR REVIEW BY THE KDSWCD.
- THE CONTRACTOR SHALL BE RESPONSIBLE FOR INSTALLATION OF ANY ADDITIONAL EROSION CONTROL MEASURES NECESSARY TO PREVENT EROSION AND SEDIMENTATION AS DETERMINED BY THE KDSWCD.
- DURING DEWATERING OPERATIONS, WATER WILL BE PUMPED INTO SEDIMENT BASINS OR SILT TRAPS.
- INSPECTION AND MAINTENANCE WILL BE DONE WEEKLY AND AFTER EACH SIGNIFICANT RAINFALL EVENT AND INCLUDE FOR ON-SITE MAINTENANCE BY THE CONTRACTOR CONDUCTED WEEKLY SOIL EROSION AND STRUCTURE EMINENCE RECORDS.
- ALL EROSION CONTROL SHALL BE INSTALLED BEFORE GRADING COMMENCES.
- AS SHOWN ON THE PLANS, THE CONTRACTOR SHALL ATTACH AN ALUMINUM SIGN WITH THE FOLLOWING TEXT: PROTECTED WETLAND - NO INTRUSION. THE SIGN(S) SHALL BE ATTACHED TO THE STAKES BY A METHOD APPROVED BY THE ENGINEER. THE SIGN(S) WILL BE PROVIDED BY THE DEPARTMENT AND SHALL BE PICKED UP BY THE CONTRACTOR FROM THE DISTRICT ONE ROADSIDE DEVELOPMENT ARCHITECT IN SCHAUMBURG, ILLINOIS. SCHEDULING THE PICKUP OF THE SIGNS CAN BE ARRANGED BY CONTACTING THE DISTRICT ONE ROADSIDE DEVELOPMENT UNIT AT (847) 705-4171. WHEN WORK HAS BEEN COMPLETED, THE SIGN SHALL BE RETURNED TO THE DISTRICT ONE ROADSIDE DEVELOPMENT UNIT. THE COST OF PICKING UP, ATTACHING THE SIGNS TO THE TEMPORARY FENCE STAKES AND RETURNING THE SIGNS WILL NOT BE PAID FOR SEPARATELY, BUT SHALL BE INCLUDED IN THE CONTRACT UNIT PRICE FOR TEMPORARY FENCE.



**PERIMETER EROSION BARRIER**  
N.T.S.



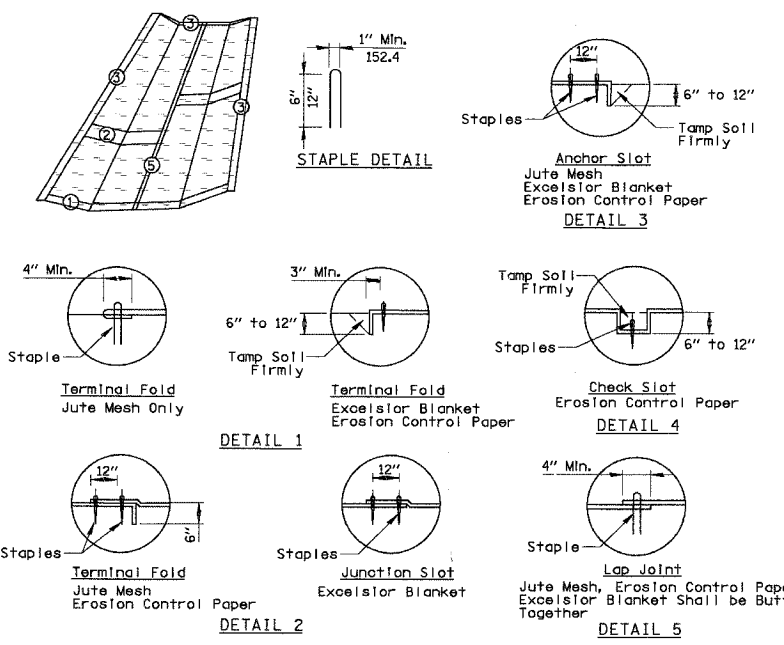
- NOTES:
- FRAME: Top ring constructed from 1 1/4\"/>

REPLACEABLE BAG: Constructed from 4 oz./sq.yd. non-woven polypropylene geotextile reinforced with polyester mesh. Connected to base ring with stainless steel strap and lock.

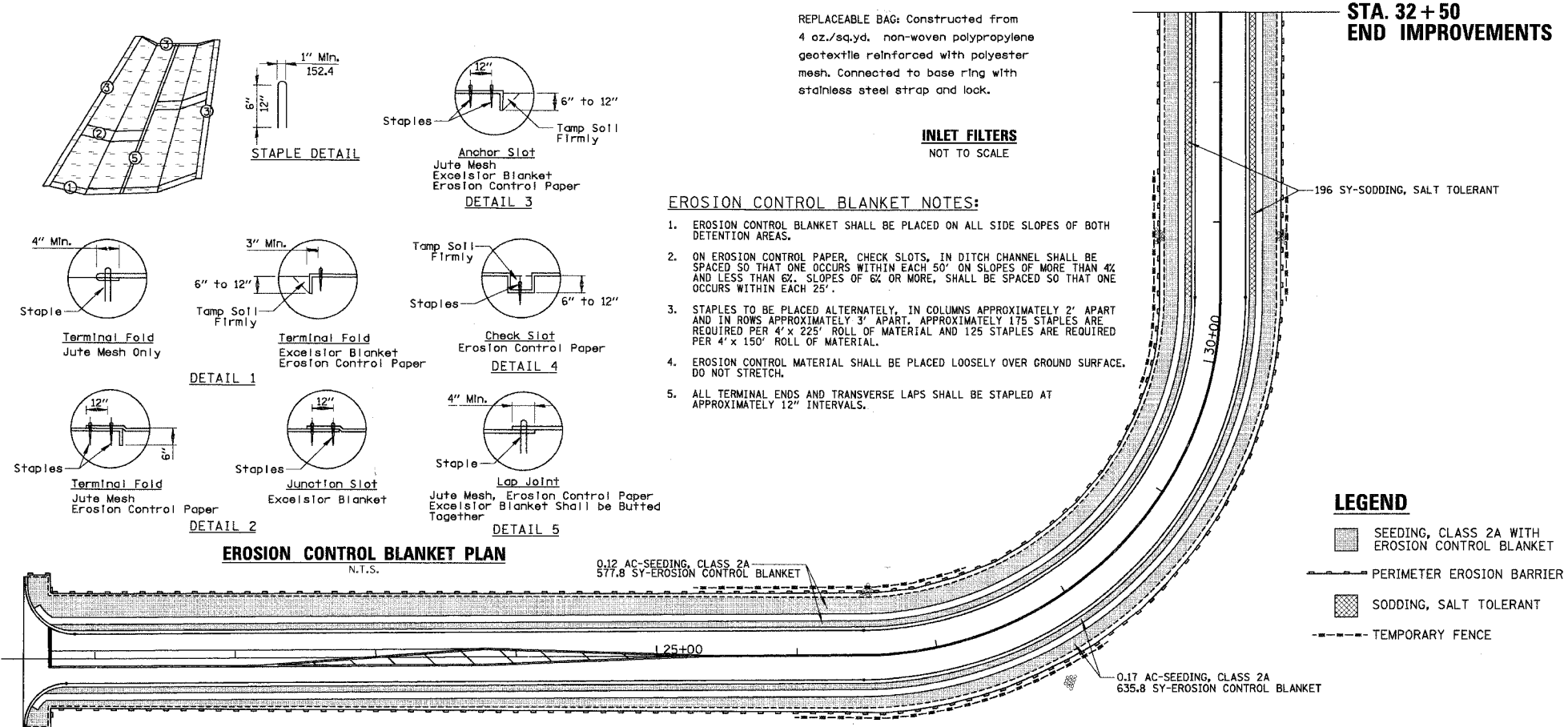
**INLET FILTERS**  
NOT TO SCALE

**EROSION CONTROL BLANKET NOTES:**

- EROSION CONTROL BLANKET SHALL BE PLACED ON ALL SIDE SLOPES OF BOTH DETENTION AREAS.
- ON EROSION CONTROL PAPER, CHECK SLOTS, IN DITCH CHANNEL SHALL BE SPACED SO THAT ONE OCCURS WITHIN EACH 50' ON SLOPES OF MORE THAN 4% AND LESS THAN 6%. SLOPES OF 6% OR MORE, SHALL BE SPACED SO THAT ONE OCCURS WITHIN EACH 25'.
- STAPLES TO BE PLACED ALTERNATELY, IN COLUMNS APPROXIMATELY 2' APART AND IN ROWS APPROXIMATELY 3' APART. APPROXIMATELY 175 STAPLES ARE REQUIRED PER 4' x 225' ROLL OF MATERIAL AND 125 STAPLES ARE REQUIRED PER 4' x 150' ROLL OF MATERIAL.
- EROSION CONTROL MATERIAL SHALL BE PLACED LOOSELY OVER GROUND SURFACE. DO NOT STRETCH.
- ALL TERMINAL ENDS AND TRANSVERSE LAPS SHALL BE STAPLED AT APPROXIMATELY 12\"/>



**EROSION CONTROL BLANKET PLAN**  
N.T.S.



**STA. 32+50  
END IMPROVEMENTS**

**LEGEND**

- SEEDING, CLASS 2A WITH EROSION CONTROL BLANKET
- PERIMETER EROSION BARRIER
- SODDING, SALT TOLERANT
- TEMPORARY FENCE

REVISIONS	
NAME	DATE

ILLINOIS DEPARTMENT OF TRANSPORTATION  
**75th STREET  
LANDSCAPING AND EROSION  
CONTROL PLAN**

SCALE: VERT. 1" = 50'  
HORIZ. 1" = 50'  
DATE 3/14/2008  
DRAWN BY EDT  
CHECKED BY LMF

THE STORM SEWER AND INLET PROTECTION SHALL BE INSTALLED AS EACH STRUCTURE IS COMPLETED.