

F.A.U. RTE.	SECTION	COUNTY	TOTAL SHEETS	SHEET NO.
369	00-00018-00-PV	COOK	20	12
STA.	TO STA.			
FED. ROAD DIST. NO. 1 ILLINOIS FED. AID PROJECT				

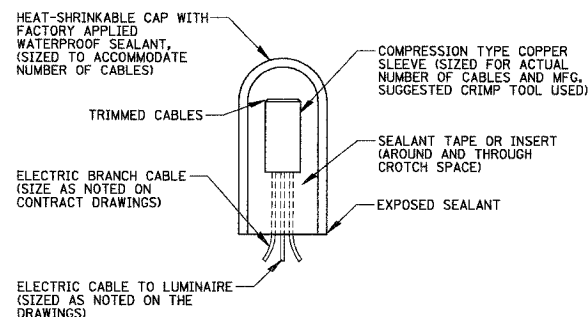
CONTRACT NO. 83897

CIRCUIT ID	250W HPS 240V LIGHT STANDARD	LOAD/UNIT (WATTS)	TOTAL CIRCUIT LOAD (WATTS)	TOTAL CIRCUIT LOAD (AMPS)
A	5	305 W	1525 W	6.4 A
B	5	305 W	1525 W	6.4 A
C	5	305 W	1525 W	6.4 A
D	5	305 W	1525 W	6.4 A
TOTAL			6100 W	25 A

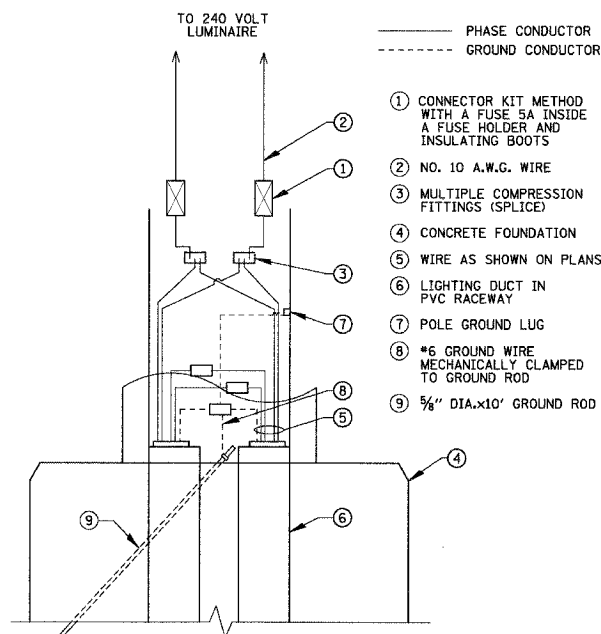
NOTE:
EXISTING CIRCUIT LOADS ARE SHOWN IN HALF TONE (FOR INFORMATIONAL PURPOSES ONLY).

**EXISTING CONTROLLER "A"
LIGHTING CIRCUIT LOADS**

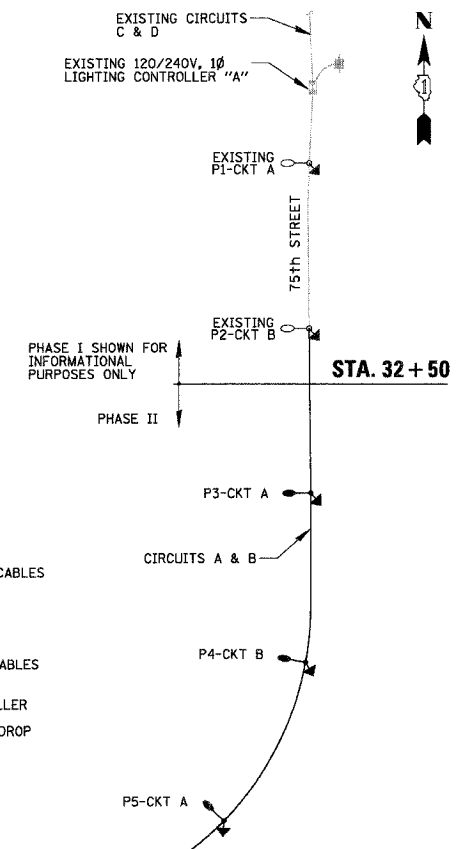
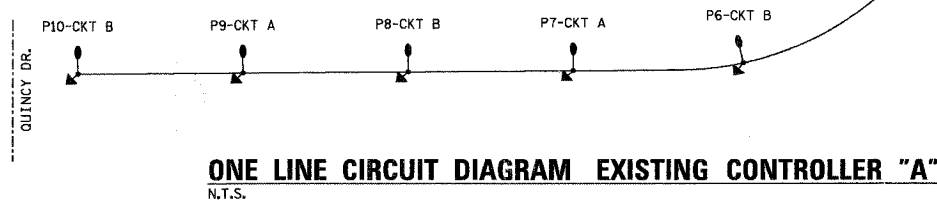
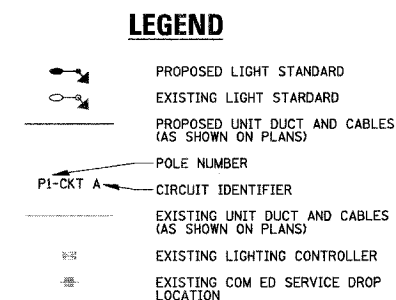
NOTE:
ALL CONDUCTORS IN THE UNIT DUCT RUNS SHALL HAVE COLOR CODED INSULATION THROUGHOUT THE ENTIRE LENGTH OF THE CONDUCTOR. THE COLOR IDENTIFICATION FOR THE SYSTEM GROUND SHALL BE GREEN. THE PHASE CONDUCTORS SHALL BE PER IDOT STANDARD 1066.02 (A).



SPLICING ELECTRIC CABLE
N.T.S.



POLE HANDHOLE WIRING DIAGRAM
N.T.S.



STA. 32 + 50

REVISIONS	
NAME	DATE

ILLINOIS DEPARTMENT OF TRANSPORTATION
75th STREET
ROADWAY LIGHTING DETAILS (1 OF 2)

SCALE: VERT.
HORIZ.
DATE 2/19/2008

DRAWN BY KB
CHECKED BY JPC