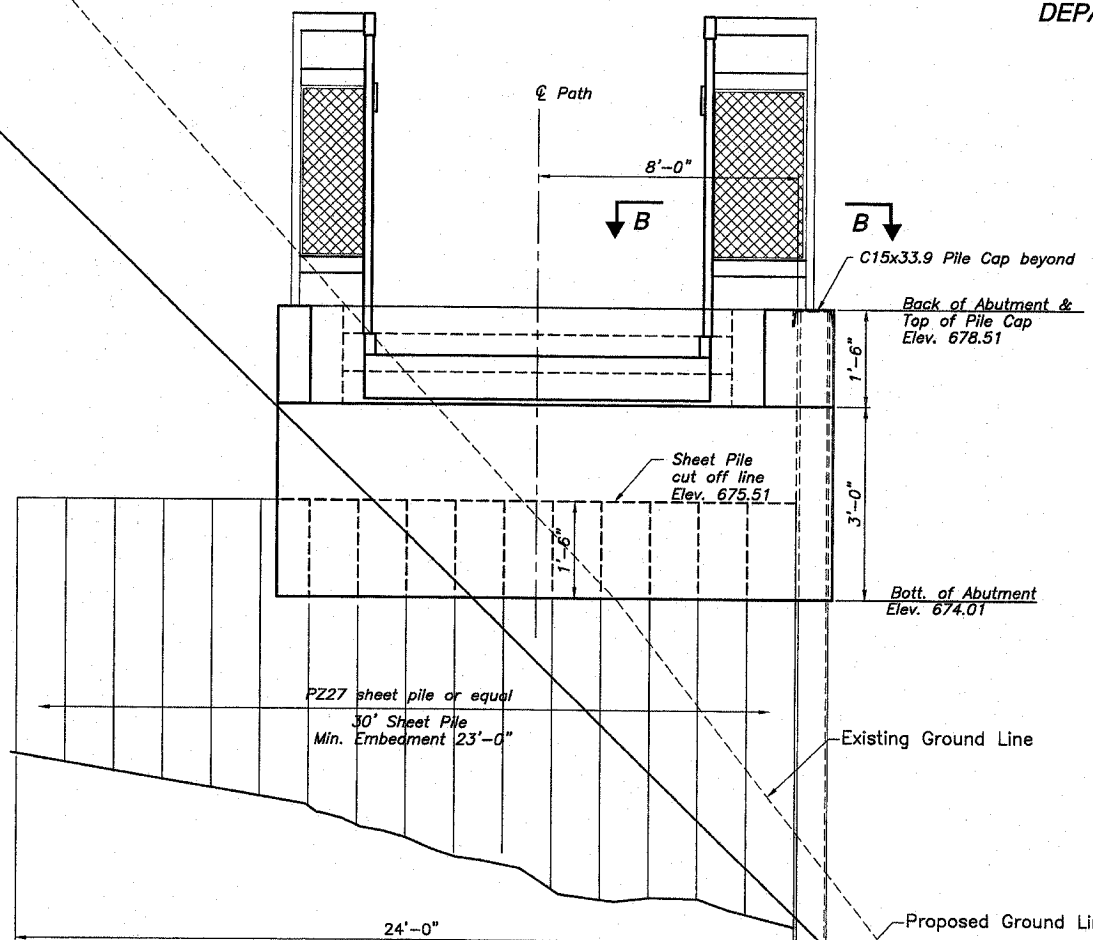
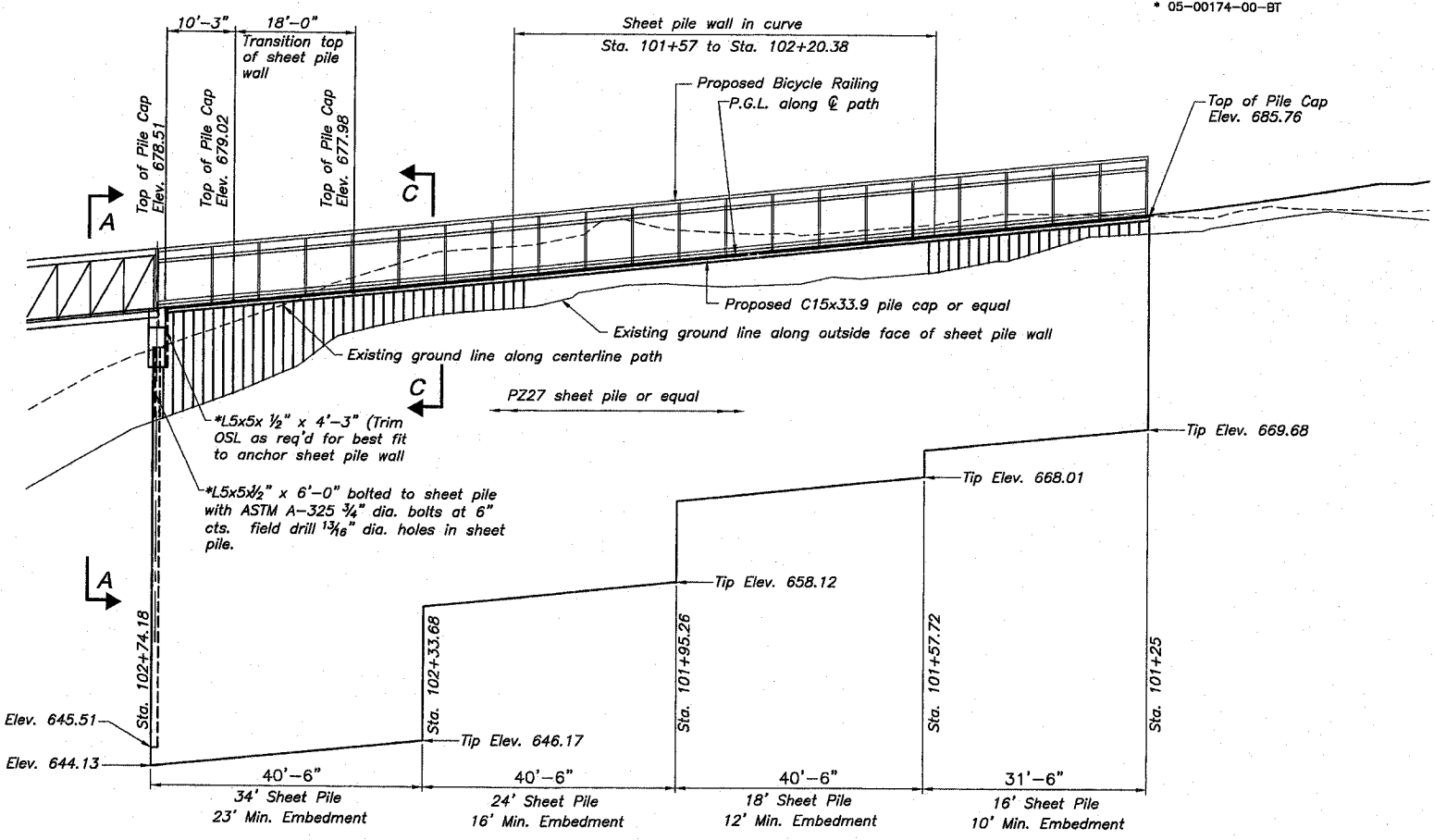


F.A. RTE.	SECTION	COUNTY	TOTAL SHEETS	SHEET NO.
*		ROCK ISLAND	112	53
STA. 101+25 TO		STA. 102+74.18		
FED. ROAD DIST. NO. Z		ILLINOIS FED. AID PROJECT		
* 05-00174-00-BT				

STATE OF ILLINOIS
DEPARTMENT OF TRANSPORTATION

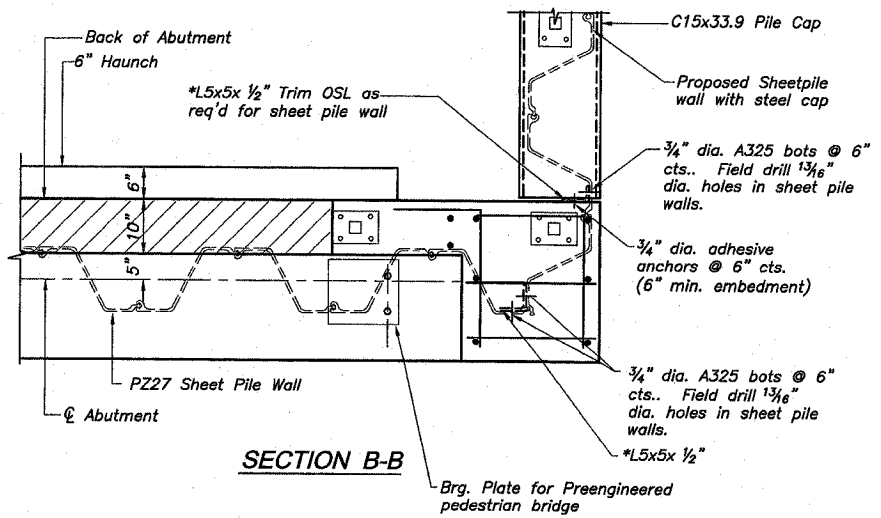


SECTION A-A

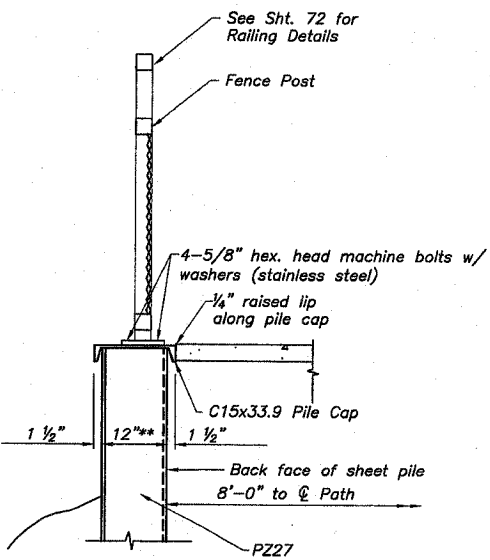


SHEET PILE WALL WEST ELEVATION
Sta. 101+25 TO Sta. 102+74.18

*Install angle to support end of sheet pile wall from deflecting. Angle shall be ASTM A-36 steel and shall be galvanized for corrosion protection. Cost of installation and treatment shall be included with "Furnishing and Erecting Structural Steel".



SECTION B-B



SECTION C-C

**Nominal dim for PZ27 to be verified with actual sheet pile wall driven

General Notes:

- Contractor shall submit, for review and approval, shop drawings that detail fabrication erection, installation, ETC. of permanent steel sheet piling and pile caps.
- Adhesive anchors shall be IL. D.O.T. Approved with installation as per Manufacturer's specifications for 3,500 PSI concrete and minimum embedment of 6". Cost shall be included with "Furnishing and Erecting Structural Steel".
- Fasteners shall be 3/4" ASTM high strength bolts with heavy hex nuts and hardened washers. Hole size shall be 13/16". All hardware shall be galvanized according to AASHTO M 232.
- Permanent sheet pile shall meet requirements of ASTM A328. Sheet pile shall have an effective section modulus meeting or exceeding 25.5 in³/ft. Use of an alternative section is subject to approval of the engineer. See special provisions for additional information.
- The steel pile cap shall be painted according to Section 506 and the special provision CLEANING & PAINTING NEW METAL STRUCTURES, using the organic zinc rich primer/epoxy/urethane paint system. The color of the final finish coat for the cap shall be reddish brown, Munsell 2.5YR 3/4.

BILL OF MATERIAL

Steel Sheet Piling	SQ. FT.	4,340
Bicycle Railing, Special	FOOT	155
Furnishing & Erecting Structural Steel	POUND	5,360

REVISIONS	
NAME	DATE

ILLINOIS DEPARTMENT OF TRANSPORTATION
Augustana College Pedestrian Bridge
Section 05-00174-00-BT
Project No. HPP-4113-(001)
City of Rock Island
Rock Island County

SCALE: VERT. _____
HORIZ. _____
DATE _____

DRAWN BY _____
CHECKED BY _____

Exp. 11-30-2008
JOHN B. FELLMAN
081-008167
LICENSED
STRUCTURAL
ENGINEER
STATE OF ILLINOIS
John B. Fellman
4-1-2008