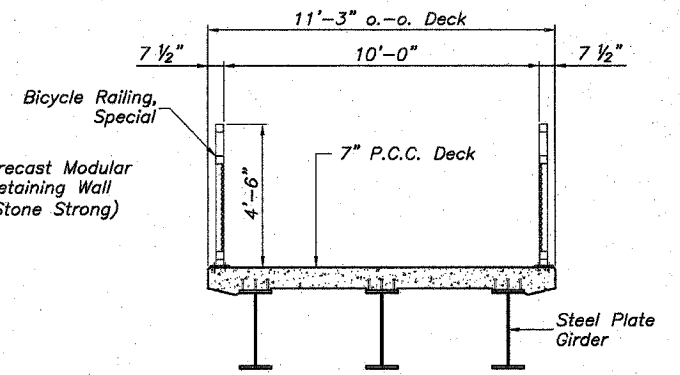
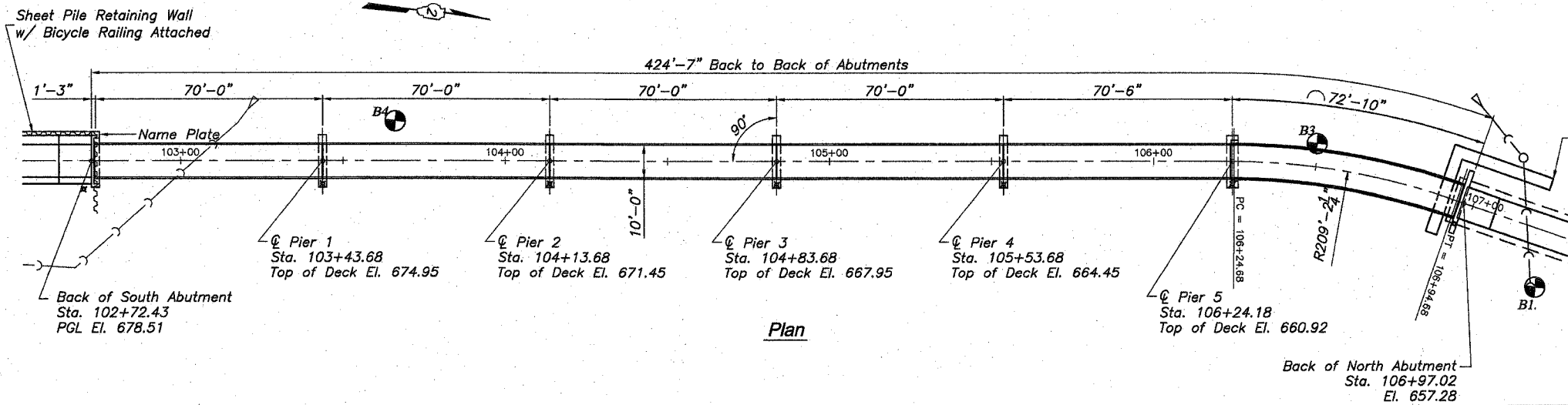
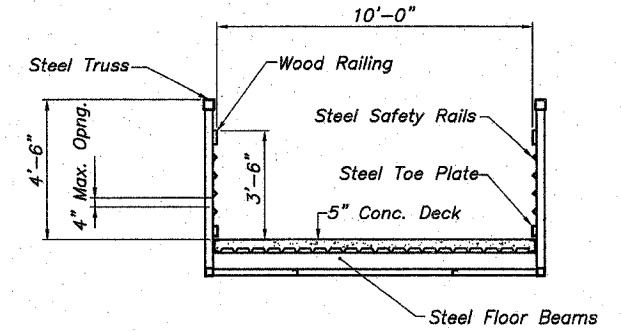
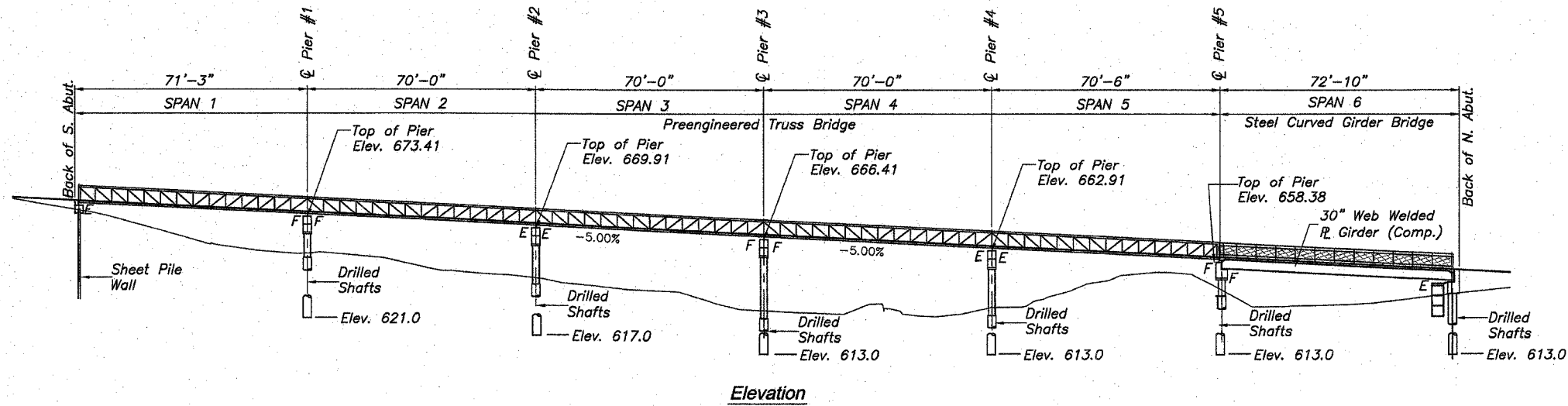


**Benchmarks:** TBM-3 Chisled Square on Back of Curb, Located at the far West Corner of the Parking Lot, Just North of the West End of Swanson Hall.

STATE OF ILLINOIS  
DEPARTMENT OF TRANSPORTATION

ROUTE NO.	SECTION	COUNTY	TOTAL SHEETS	SHEET NO.
*	*	Rock Island	112	54
SHEET NO. 1				
18 SHEETS				
* 05-00174-00-BT				



**Design Specifications**

- 2002 AASHTO Standard Specifications for Highway Bridges
- 1997 AASHTO Guide Specifications for Design of Pedestrian Bridges
- 2003 AASHTO Guide Specifications for Horizontally Curved Steel Girder Bridges

**Loading**

- 85 psf Uniform Live Load (Pedestrian)
- 35 psf Wind Loading
- H-5 Truck Loading

**Design Stresses**

- $f'_c = 3,500$  psi (Concrete)
- $f_y = 60,000$  psi (Reinforcement)
- $f_y = 50,000$  psi (Structural Steel Tubing), ASTM A500, Grade C
- $f_y = 50,000$  psi (Other Structural Steel Shapes, Plate and Bars), AASHTO M270, Grade 50

DESIGNED	LRT
CHECKED	JBF
DRAWN	RAP
CHECKED	JBF

APPROVED  
For Structural Adequacy Only.

Michael J. Haley 3-20-2008  
Lin Engineering, Ltd. Consulting Engineers

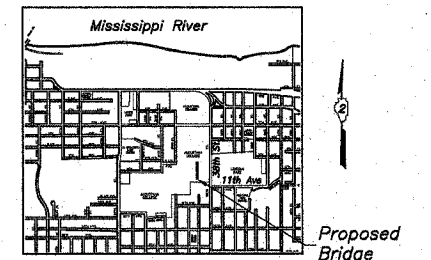
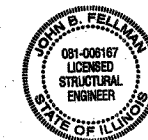


Augustana College  
Bridge  
Built 20\_\_\_\_  
Sec. 05-00174-00-BT  
Loading 85 P.S.F. &  
10,000 LB Truck

NAME PLATE  
See Std. 515001-02

I certify that to the best of my knowledge, information and belief this bridge design is structurally adequate for the design loading shown on the plans. The design is an economical one for the style of structure and complies with requirements of the AASHTO "Standard Specifications for Highway Bridges-17th Edition" and the "Guide Specifications for Design of Pedestrian Bridges-1997".

John B. Fellman 3-20-2008  
John B. Fellman, S.E. Date  
License expires 11-30-2008



**GENERAL PLAN AND ELEVATION**

AUGUSTANA COLLEGE MULTI-USE BRIDGE  
SECTION 05-00174-00-BT  
PROJECT NO. HPP-4113-(001)  
CITY OF ROCK ISLAND  
ROCK ISLAND COUNTY