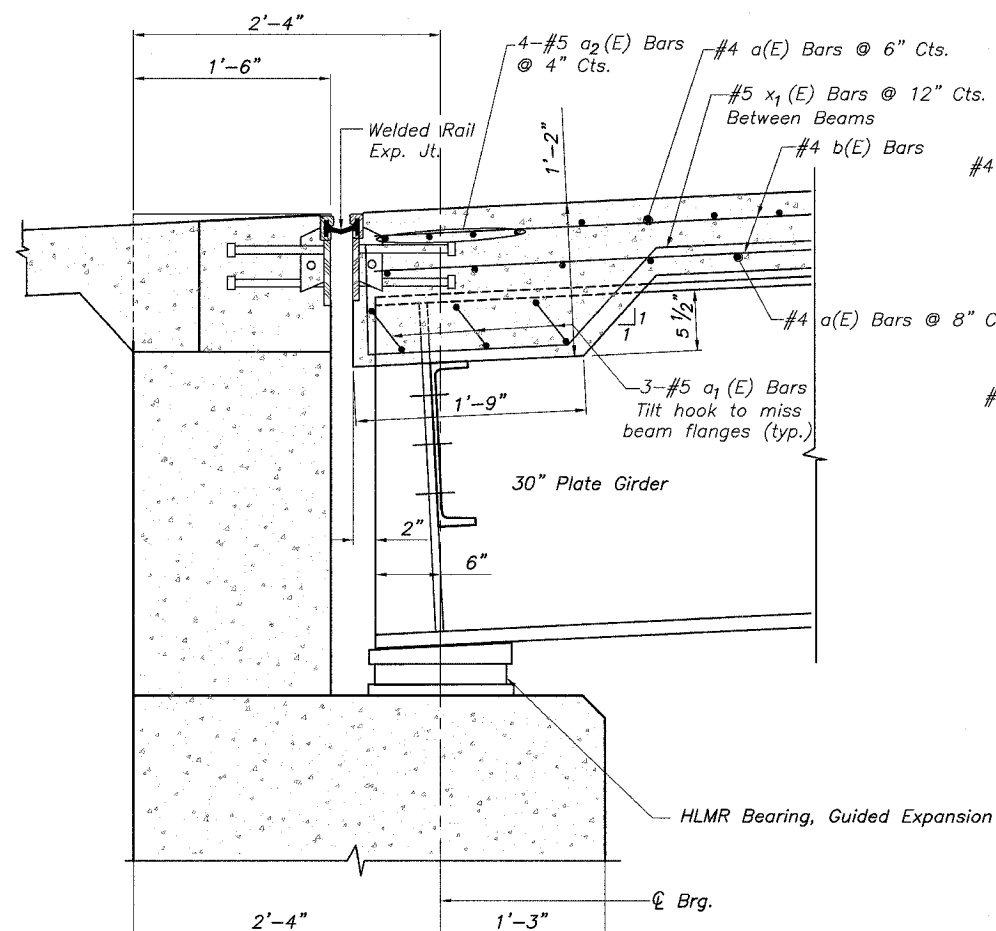


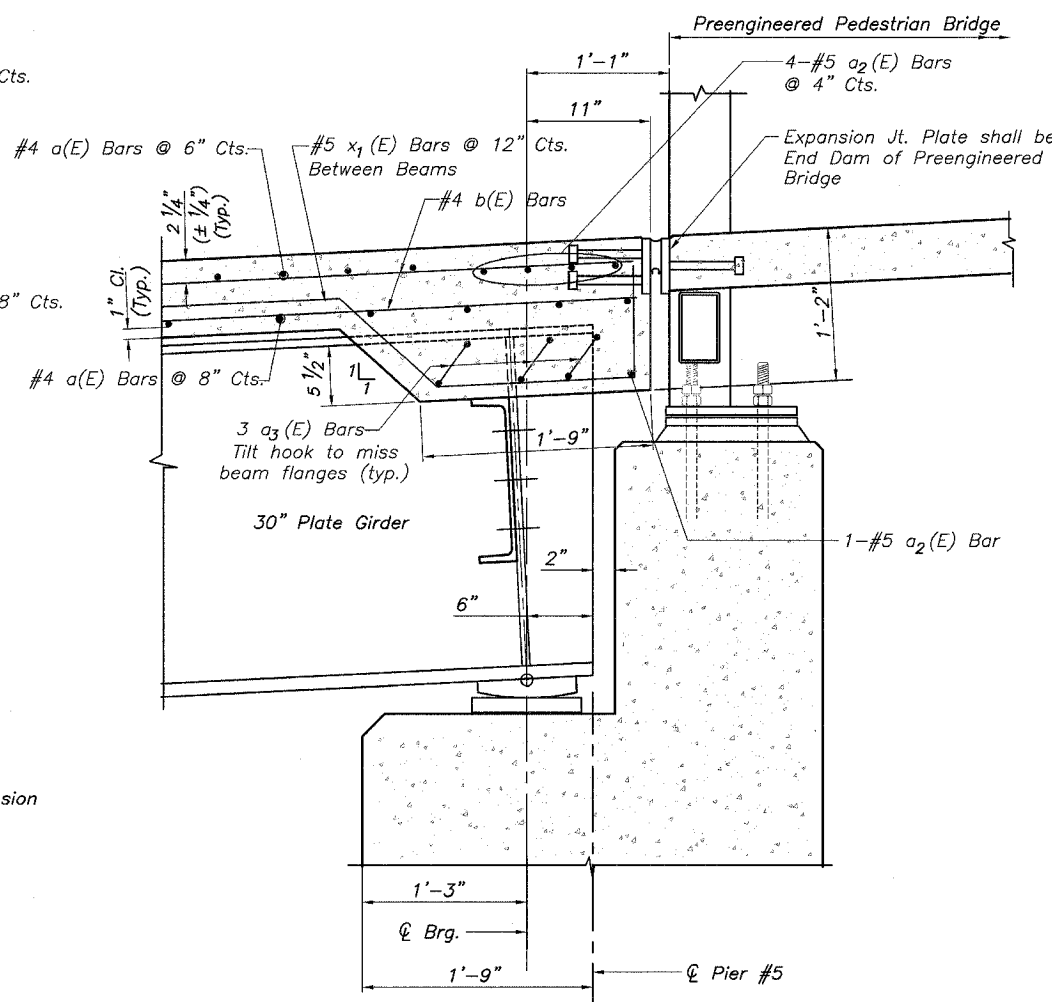
STATE OF ILLINOIS
DEPARTMENT OF TRANSPORTATION

ROUTE NO.	SECTION	COUNTY	TOTAL SHEETS	SHEET NO.	SHEET NO. 5
*	*	ROCK ISLAND	112	58	19 SHEETS
FED. ROAD DIST. NO. 7	ILLINOIS	FED. AID PROJECT-			

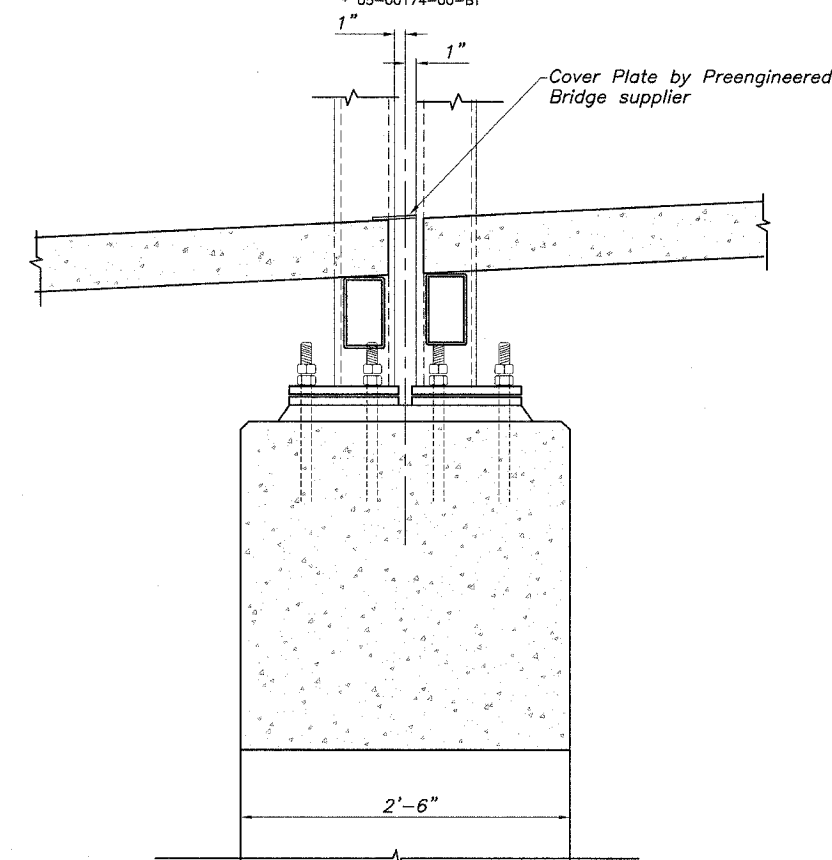
* 05-00174-00-BT



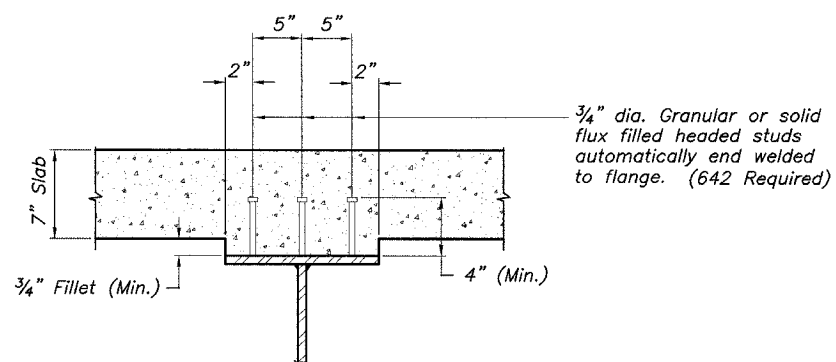
BEARING AT NORTH ABUTMENT DETAIL



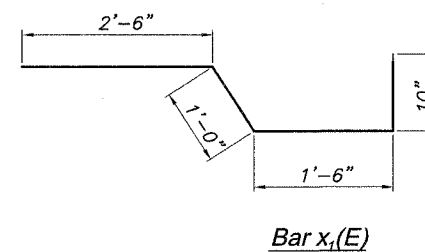
BEARING AT PIER #5 DETAIL



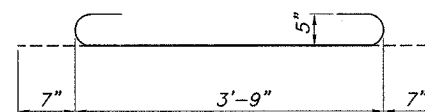
BEARING AT PIERS 1 THRU 4 DETAIL



SHEAR STUD DETAIL



Bar x₁(E)



Bar a₁(E)

Bill of Material

Bar	No.	Size	Length	Shape
a(E)	243	#4	10'-11"	—
a ₁ (E)	12	#5	4'-11"	⌋
a ₂ (E)	9	#5	10'-11"	—
b(E)	81	#4	25'-6"	—
x ₁ (E)	16	#5	5'-10"	⌋
Bicycle Railing, Special		Foot		140
Concrete Superstructure		Cu.Yd.		18.6
Reinforcement Bars, Epoxy Coated		Pound		3,420
Protective Coat		Sq.Yd.		89

SUPERSTRUCTURE DETAILS

AUGUSTANA COLLEGE PEDESTRIAN BRIDGE
SECTION 05-00174-00-BT
PROJECT NO. HPP-4113-(001)
CITY OF ROCK ISLAND
ROCK ISLAND COUNTY

DESIGNED	LRT
CHECKED	JBF
DRAWN	RAP
CHECKED	JBF