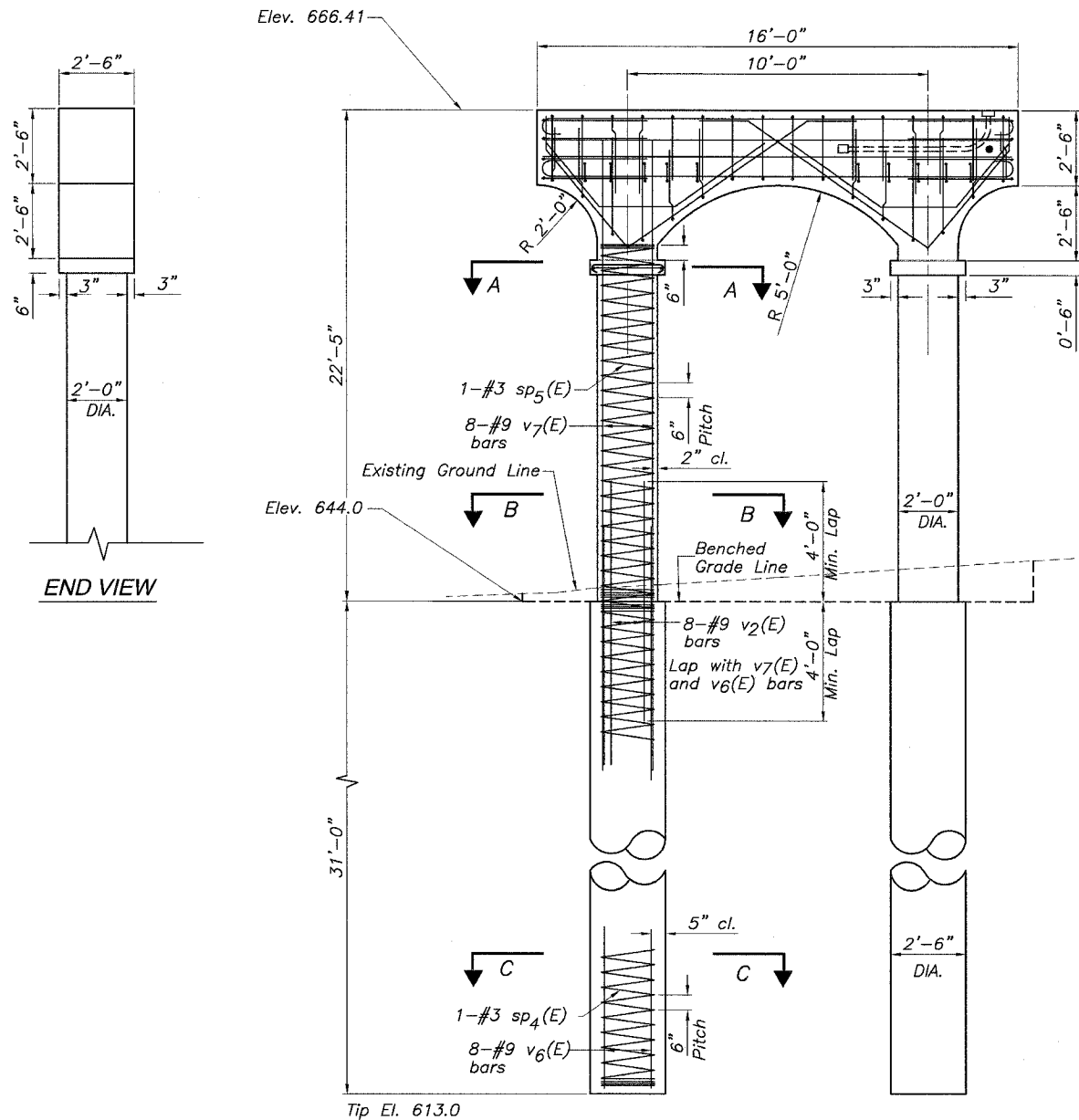


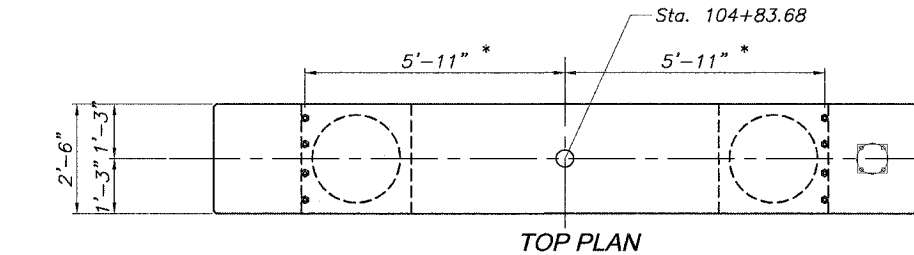
STATE OF ILLINOIS
DEPARTMENT OF TRANSPORTATION

ROUTE NO.	SECTION	COUNTY	TOTAL SHEETS	SHEET NO.	SHEET NO. 13
*	*	ROCK ISLAND	112	66	19 SHEETS
FED. ROAD DIST. NO. 7 ILLINOIS FED. AID PROJECT-					
* 00-00174-00-BT					

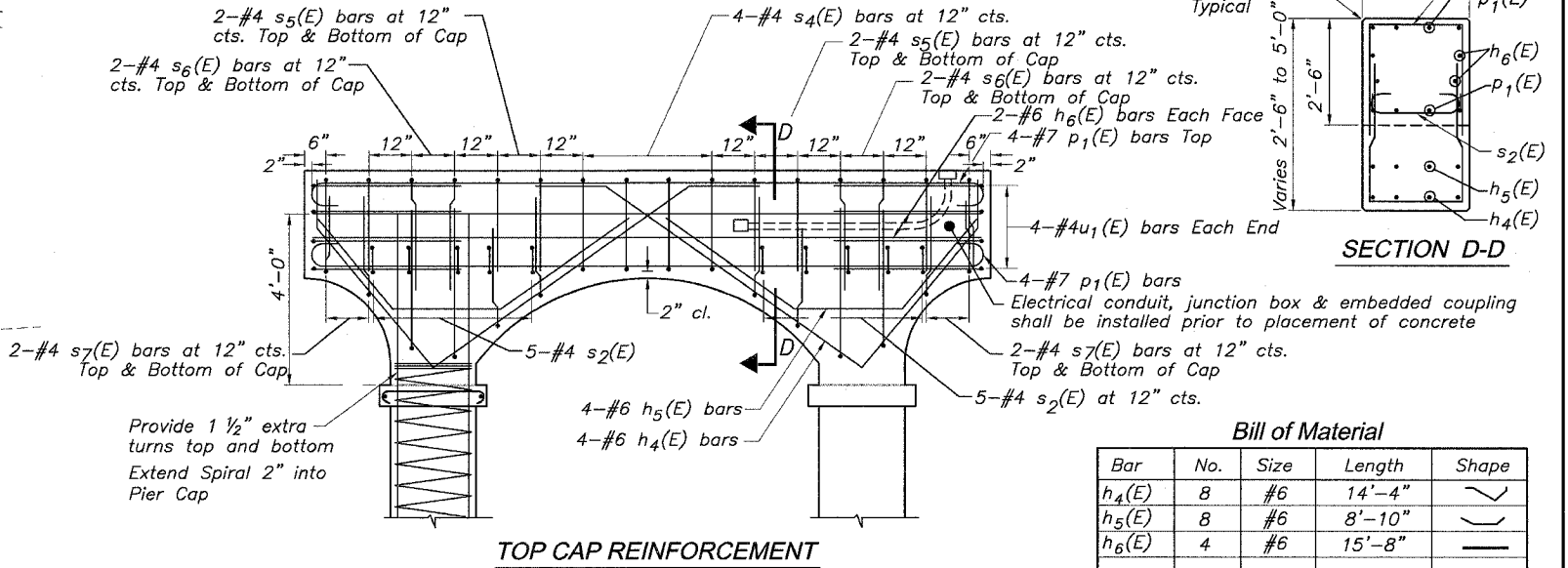


END VIEW

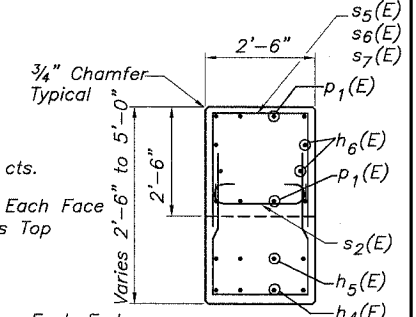
PIER ELEVATION



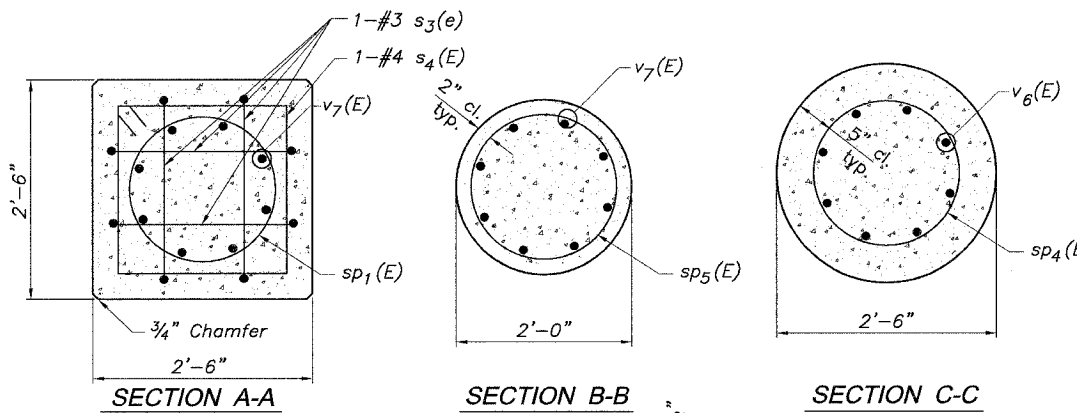
TOP PLAN



TOP CAP REINFORCEMENT



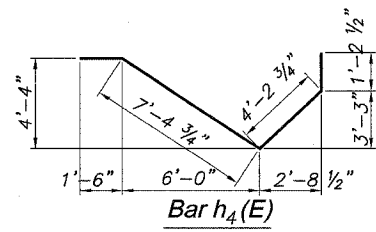
SECTION D-D



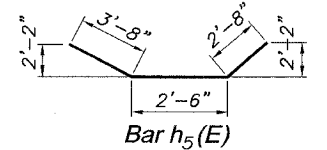
SECTION A-A

SECTION B-B

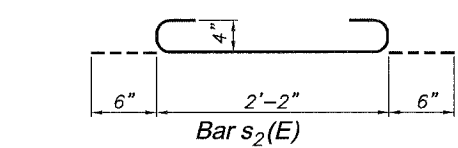
SECTION C-C



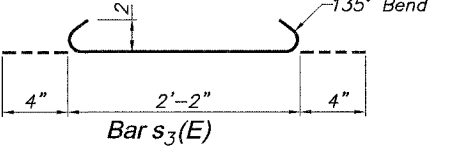
Bar h4(E)



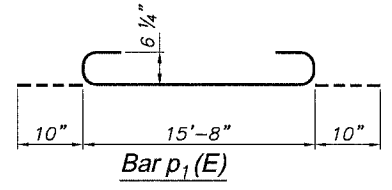
Bar h5(E)



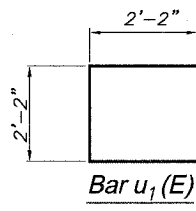
Bar s2(E)



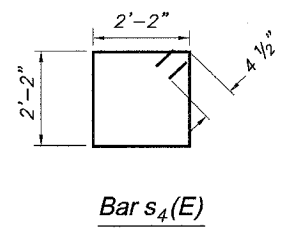
Bar s3(E)



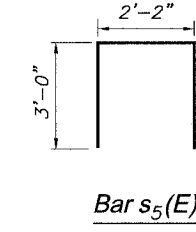
Bar p1(E)



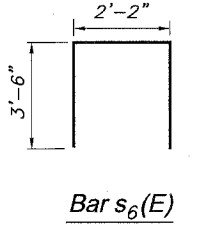
Bar u1(E)



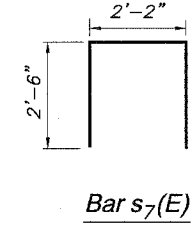
Bar s4(E)



Bar s5(E)



Bar s6(E)



Bar s7(E)

Bill of Material

Bar	No.	Size	Length	Shape
h4(E)	8	#6	14'-4"	U
h5(E)	8	#6	8'-10"	U
h6(E)	4	#6	15'-8"	—
p1(E)	8	#7	17'-4"	U
s2(E)	10	#4	3'-2"	U
s3(E)	8	#3	2'-10"	U
s4(E)	6	#4	9'-5"	U
s5(E)	8	#4	8'-2"	U
s6(E)	8	#4	9'-2"	U
s7(E)	8	#4	7'-2"	U
sp4(E)	2	#3	30'-7"	W
sp5(E)	2	#3	17'-6"	W
u1(E)	8	#4	6'-6"	U
v6(E)	16	#9	30'-7"	—
v2(E)	16	#9	8'-0"	—
v7(E)	16	#9	21'-5"	—
Structure Excavation		Cu.Yd.	4.3	
Concrete Structures		Cu.Yd.	9.7	
Reinforcement Bars Epoxy Coated		Pound	4,560	
Drilled Shafts in Soil		Cu.Yd.	11.3	

Reinf. bars designated (E) shall be Epoxy coated.

PIER #3 REINF. DETAILS
AUGUSTANA COLLEGE MULTI-USE BRIDGE
SECTION 05-00174-00-BT
PROJECT NO. HPP-4113-(001)
CITY OF ROCK ISLAND
ROCK ISLAND COUNTY

DESIGNED	LRT
CHECKED	JBF
DRAWN	RAP
CHECKED	JBF