

STATE OF ILLINOIS
DEPARTMENT OF TRANSPORTATION

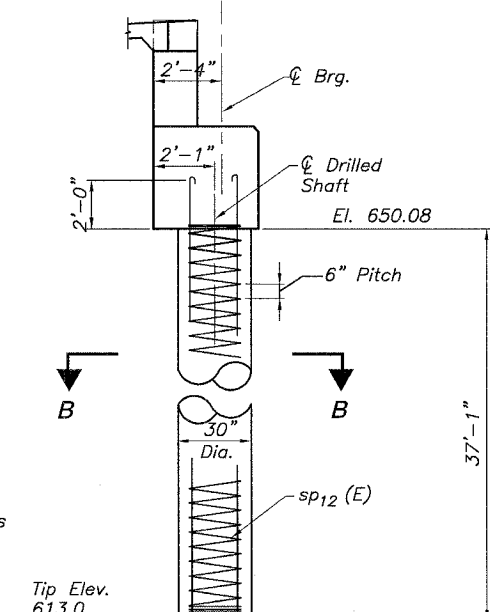
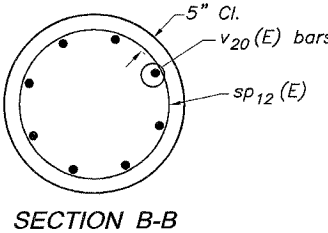
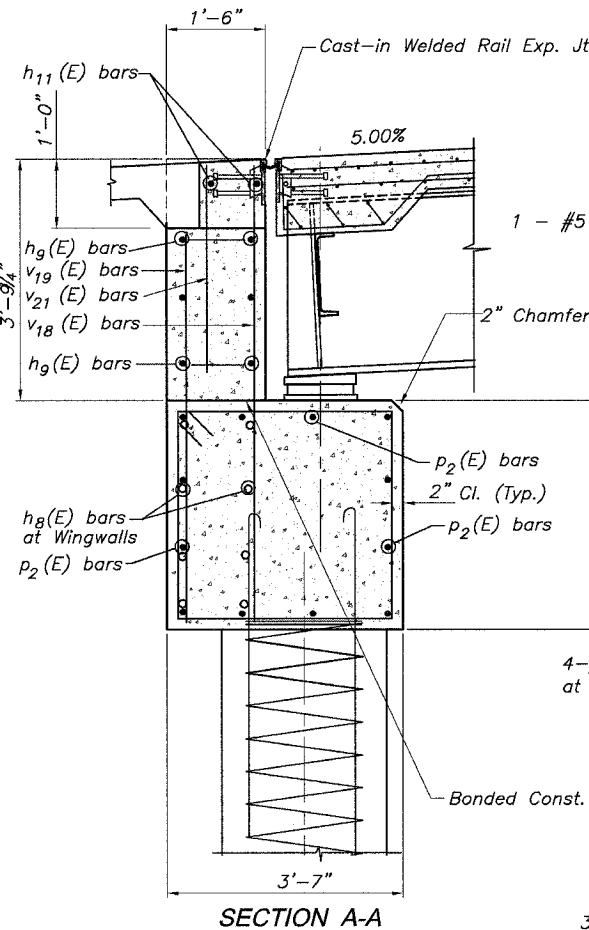
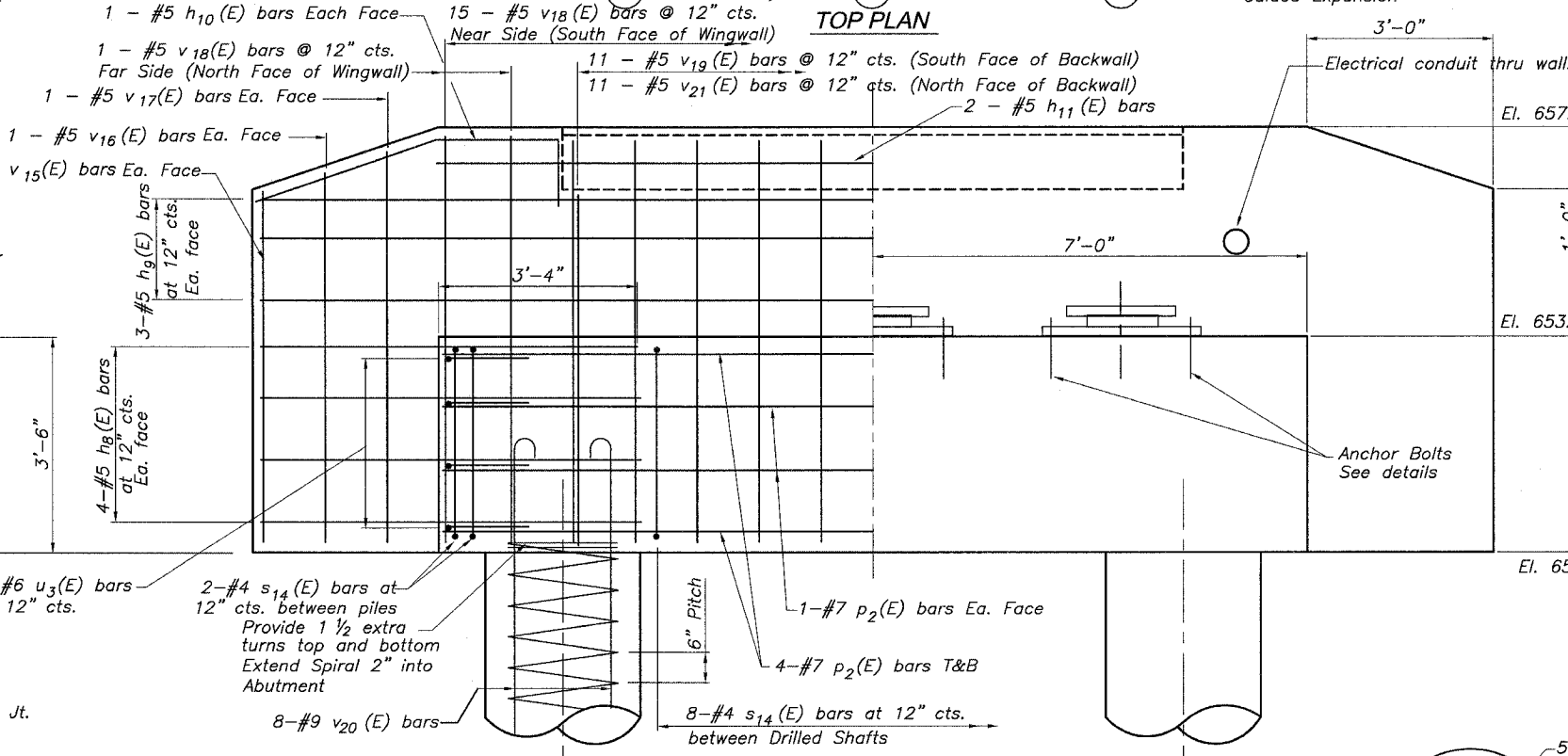
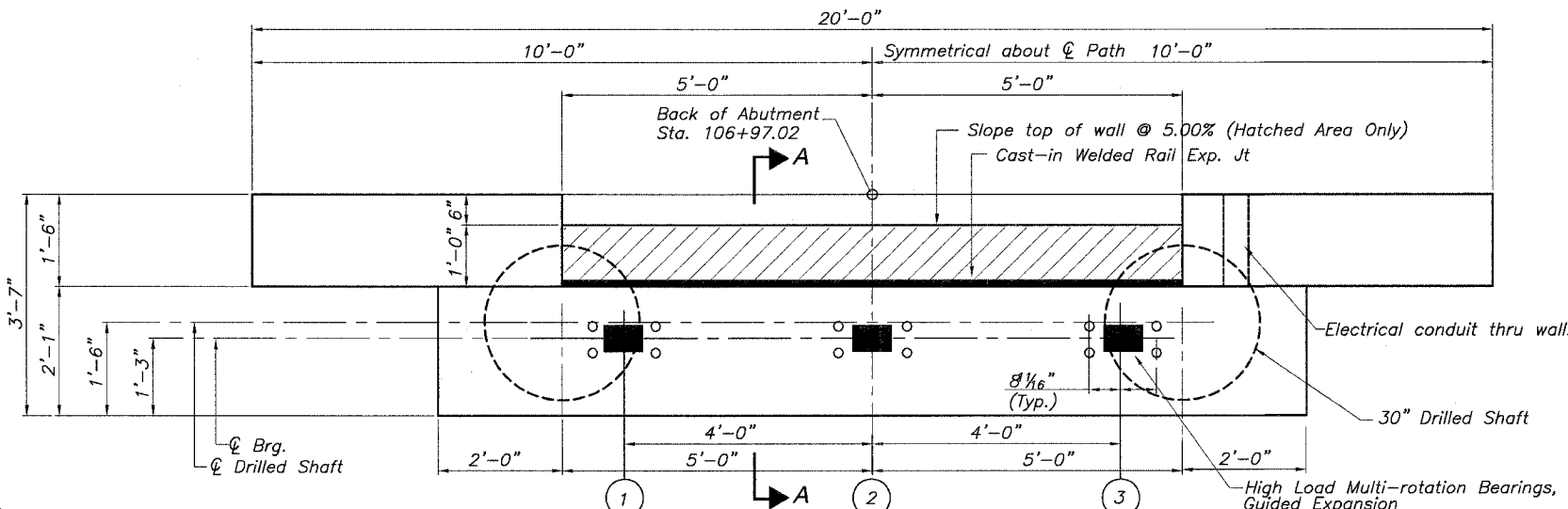
ROUTE NO.	SECTION	COUNTY	TOTAL SHEETS	SHEET NO.	SHEET NO. 18
*	*	ROCK ISLAND	112	71	19 SHEETS

FED. ROAD DIST. NO. 7 ILLINOIS FED. AID PROJECT--
* 05-00174-00-BT

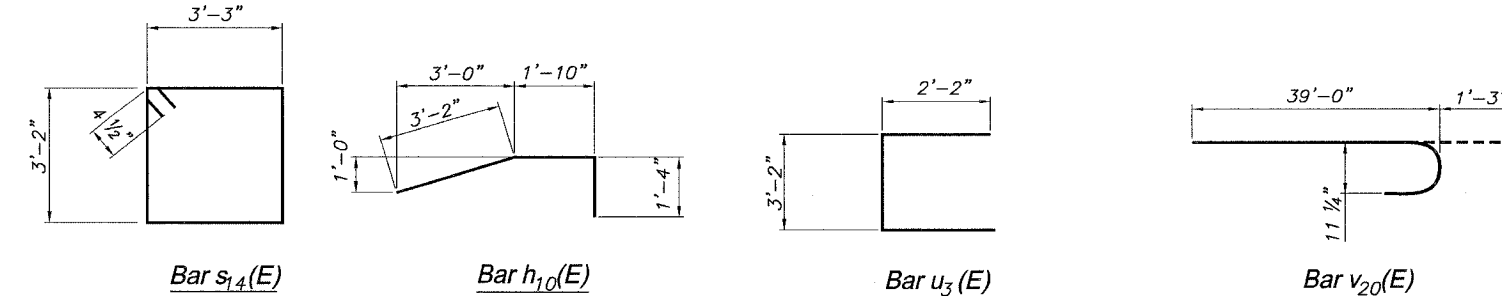
Bill of Material North Abutment

Bar	No.	Size	Length	Shape
h ₈ (E)	16	#5	6'-2"	—
h ₉ (E)	6	#5	19'-8"	—
h ₁₀ (E)	2	#5	6'-4"	└
h ₁₁ (E)	4	#5	14'-0"	—
p ₂ (E)	12	#7	13'-8"	—
s ₁₄ (E)	12	#4	13'-7"	□
sp ₁₂ (E)	2	#3	37'-0"	~
u ₃ (E)	8	#6	7'-6"	└
v ₁₅ (E)	4	#5	5'-9"	—
v ₁₆ (E)	4	#5	6'-1"	—
v ₁₇ (E)	4	#5	6'-5"	—
v ₁₈ (E)	19	#5	6'-10"	—
v ₁₉ (E)	11	#5	5'-10"	—
v ₂₀ (E)	16	#9	40'-3"	└
v ₂₁ (E)	11	#5	3'-6"	—
Concrete Structures	Cu.Yd.		11.4	
Reinforcement Bars Epoxy Coated	Pound		3,650	
Drilled Shafts in Soil	Cu.Yd.		13.5	

Reinf. Bars indicated (E) shall be Epoxy Coated



DESIGNED	LRT
CHECKED	JBF
DRAWN	RAP
CHECKED	JBF



DRILLED SHAFT ELEVATION
(Showing Reinf.)

NORTH ABUTMENT DETAILS
AUGUSTANA COLLEGE MULTI-USE BRIDGE
SECTION 05-00174-00-BT
PROJECT NO. HPP-4113-(001)
CITY OF ROCK ISLAND
ROCK ISLAND COUNTY