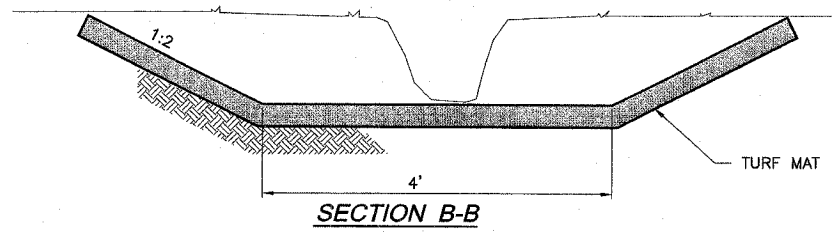
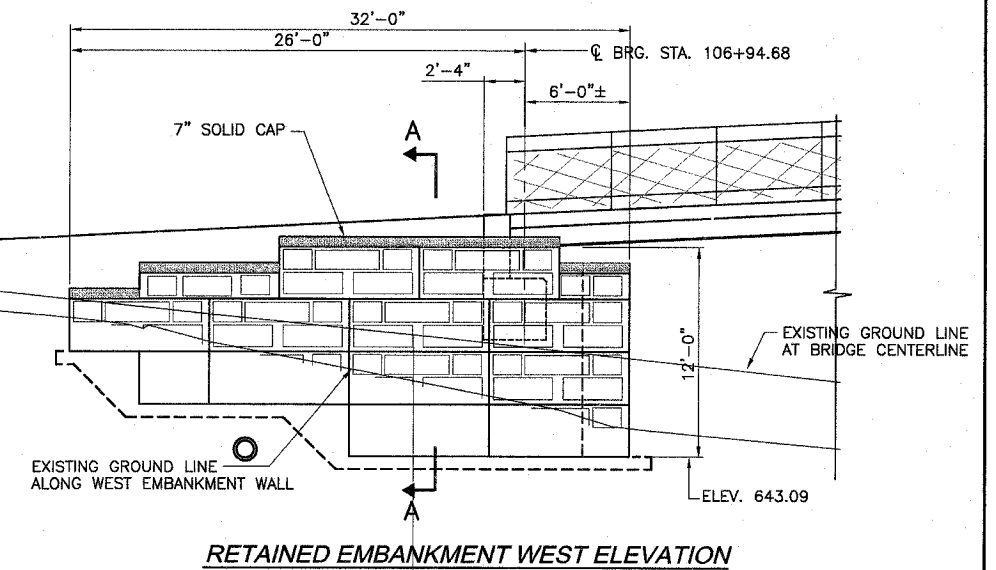
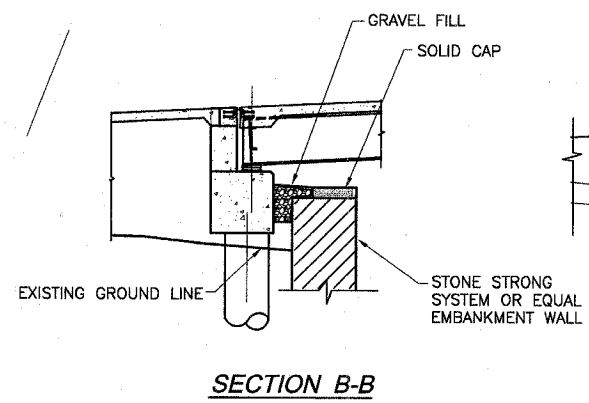
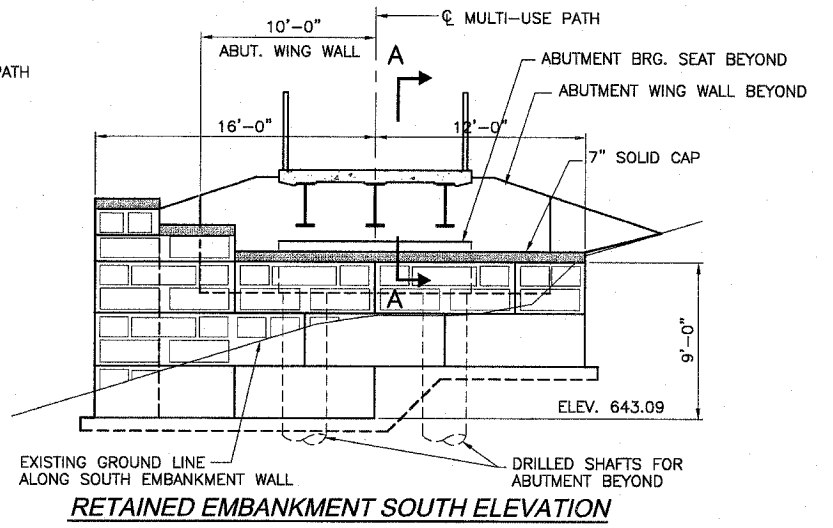
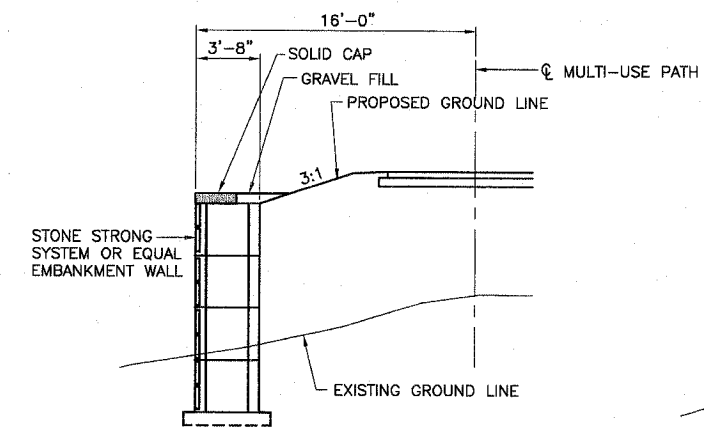
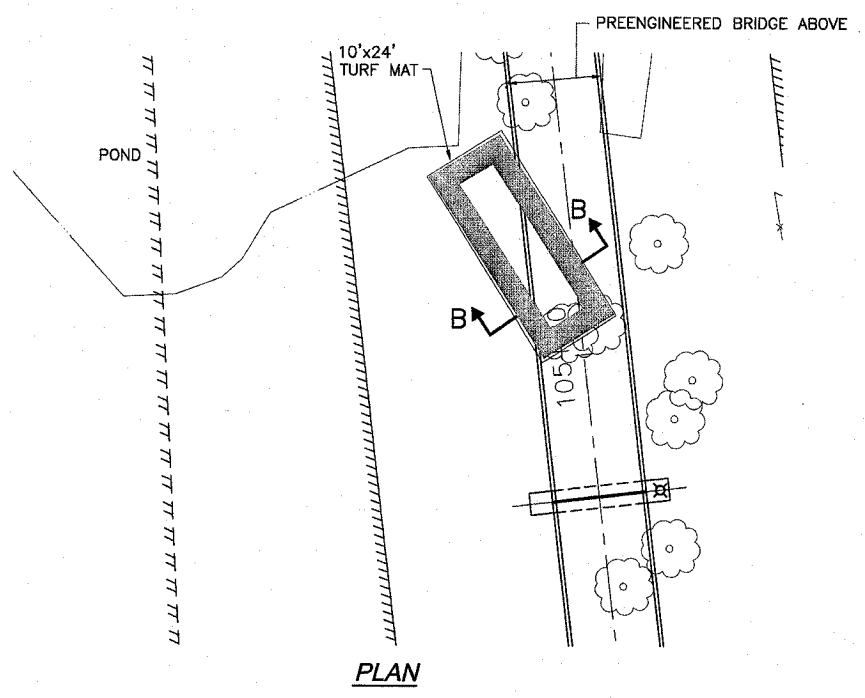
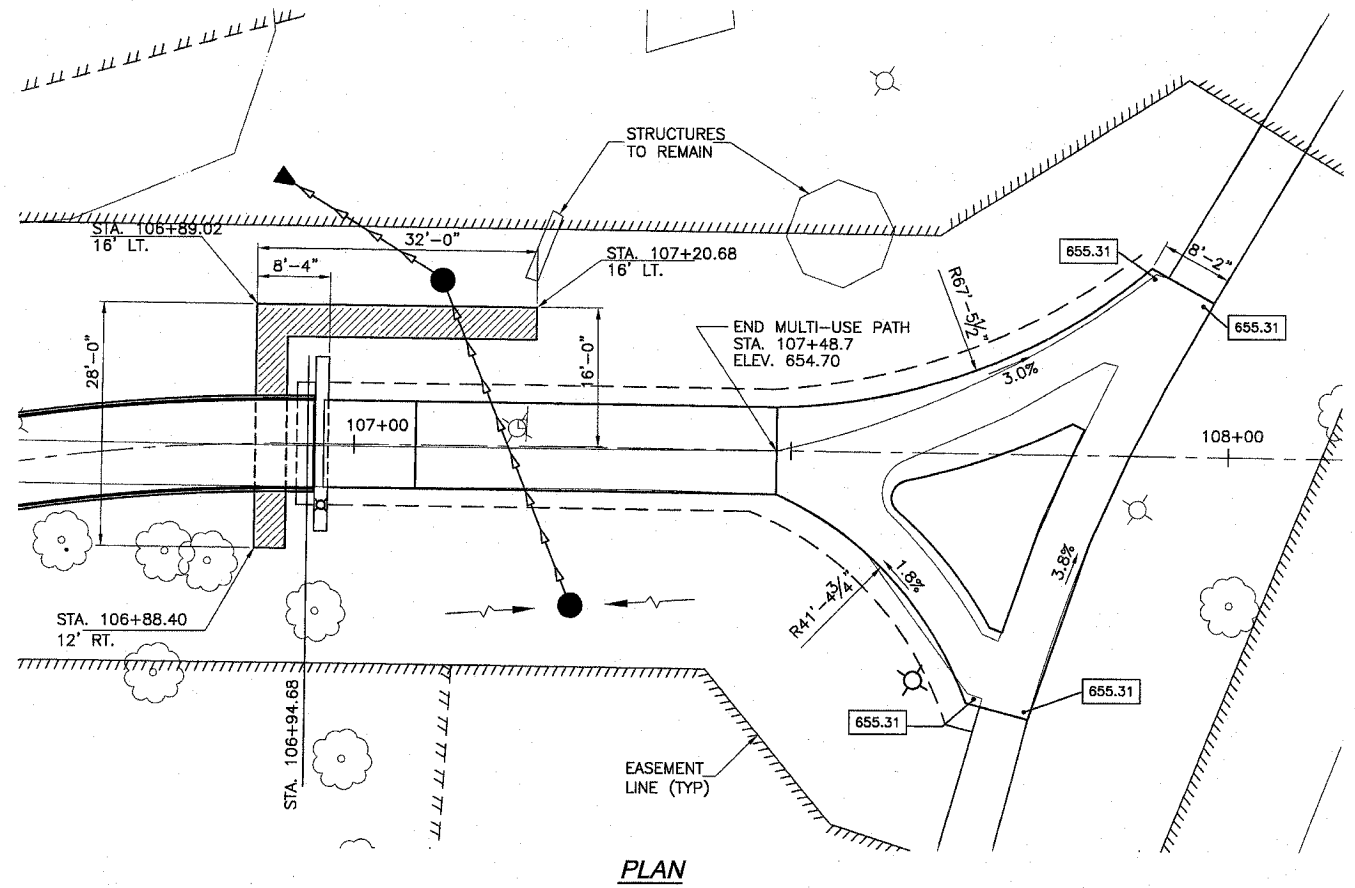


STATE OF ILLINOIS
DEPARTMENT OF TRANSPORTATION

ROUTE NO.	SECTION	COUNTY	TOTAL SHEETS	SHEET NO.
	*	ROCK ISLAND	112	74
FED. ROAD DIST. NO. 7 ILLINOIS FED. AID PROJECT-				
* 00-00000-00-BR				



DESIGNED	MHM
CHECKED	JBF
DRAWN	RAP
CHECKED	JBF