

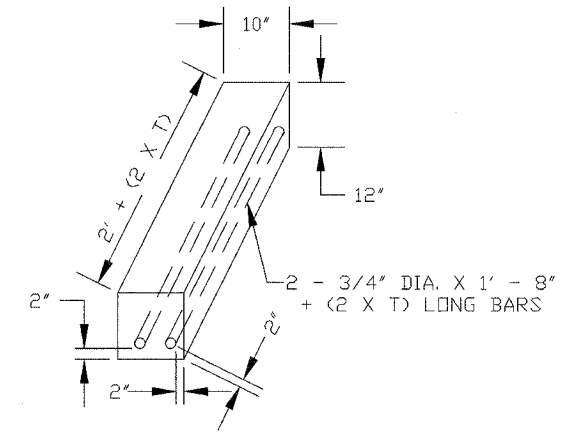
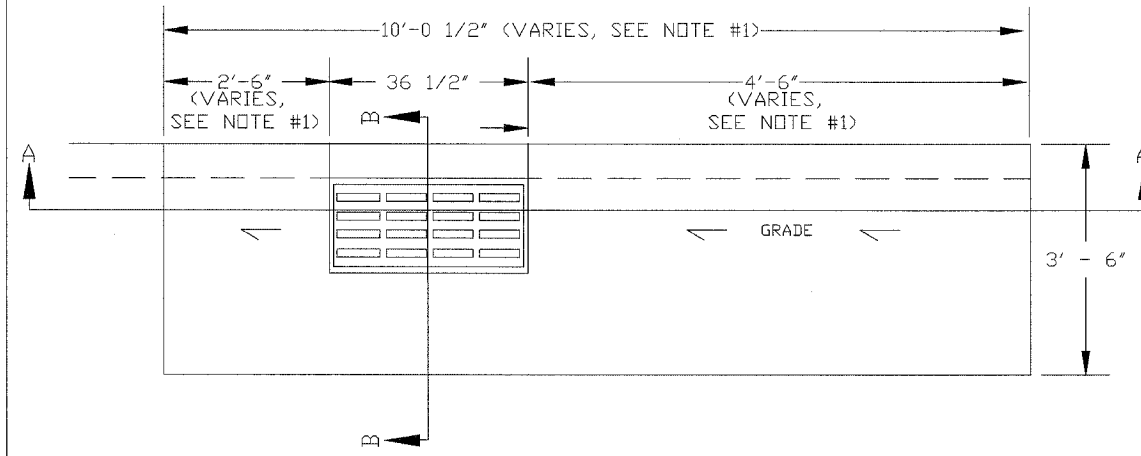
F.A. RTE.	SECTION	COUNTY	TOTAL SHEETS	SHEET NO.
	05-00174-00-BT	ROCK ISLAND	112	86
STA.		TO STA.		
FED. ROAD DIST. NO.		ILLINOIS FED. AID PROJECT		

NOTE 1: MATCH EXISTING JOINTS AS IS PRACTICABLE. ON NEW PAVEMENT BEGIN JOINT PATTERN FROM EDGES OF BOX OUT.

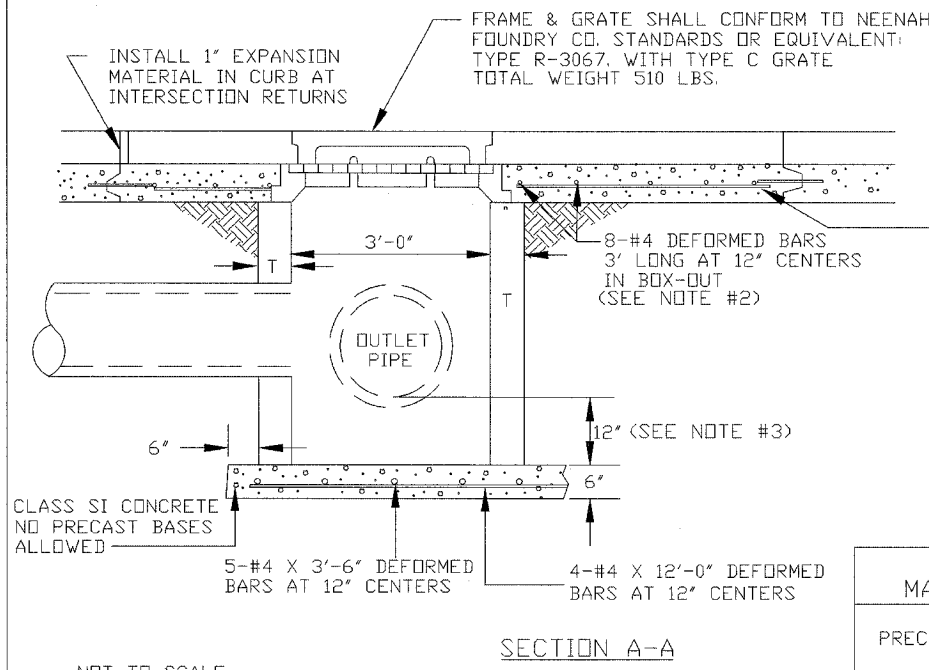
NOTE 2: STEEL REBAR TO BE PLACED AS SHOWN WHETHER CATCH BASIN IS POURED INTEGRAL TO PAVEMENT OR IN A BOX OUT. MAINTAIN MINIMUM OF 2" CLEARANCE BETWEEN REBAR AND FACE OF CONCRETE.

NOTE 3: 12" SUMP TO BE OMITTED FROM CATCH BASIN BOTTOMS EXCEPT IN AREAS WHERE SANITARY AND STORM SEWERS ARE COMBINED.

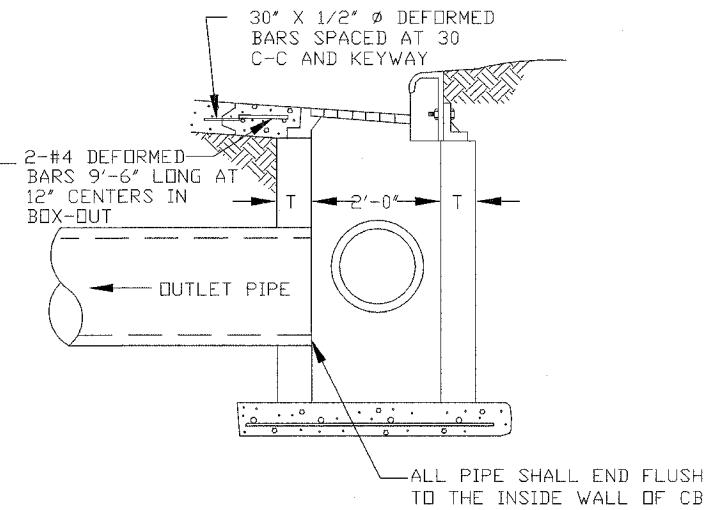
NOTE 4: DEPRESS CASTING 1" GUTTER LINE GRADE



BEAM DETAIL



SECTION A-A



SECTION B-B

ALTERNATE MATERIAL FOR WALLS	T
PRECAST SECTIONS	5"
POURED WALLS *	6"

* CLASS SI CONCRETE, VIBRATED, WITH FORMS RIDGED AND TRUE TO VERTICAL ALIGNMENT.

SINGLE CATCH BASIN

CITY OF ROCK ISLAND
ENGINEERING DIVISION

STANDARD NO. 204

NOT TO SCALE

REVISION	BY	DATE
REVISED	MJH	05/03/01
REVISED	TAB	11/08/99
STAND206.DWG	PMCJ	6/1/95
REVISION	BY	DATE

REVISIONS	
NAME	DATE

ILLINOIS DEPARTMENT OF TRANSPORTATION

CITY OF ROCK ISLAND
STANDARDS

SCALE: VERT.
HORIZ.
DATE

DRAWN BY
CHECKED BY

PLOT DATE * #DATE*
FILE NAME * #FILE*
PLOT SCALE * #SCALE*
USER NAME * #USER*