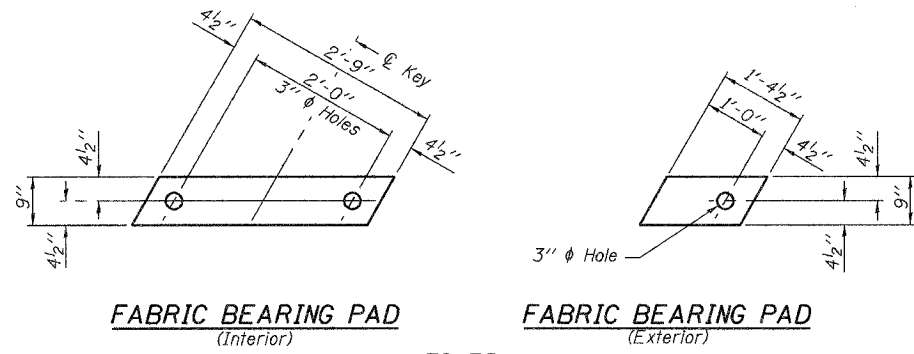


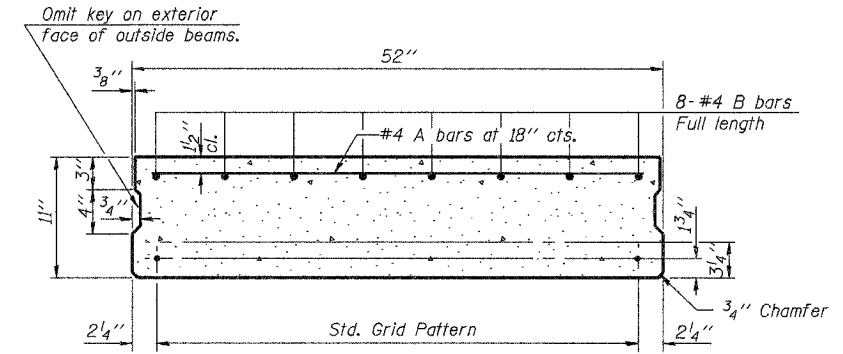
ROUTE NO.	SECTION	COUNTY	TOTAL SHEETS	SHEET NO.
TR0663E	04-09116-00-BR	WINNEBAGO	15	6
ILLINOIS		FED. AID PROJECT		



FABRIC BEARING PAD
(Interior)

FABRIC BEARING PAD
(Exterior)

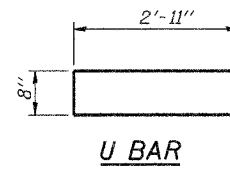
FIXED



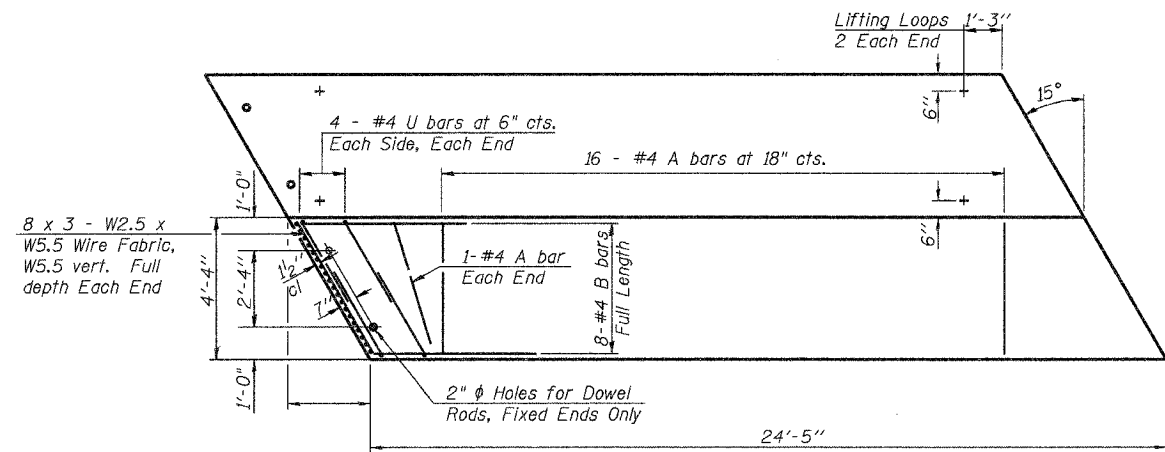
TYPICAL SECTION

1/2" ϕ Strands, Each Strand Stressed to 30,900 Lbs.
6-Strands 1 3/4" up, 8-Strands 3/4" up,

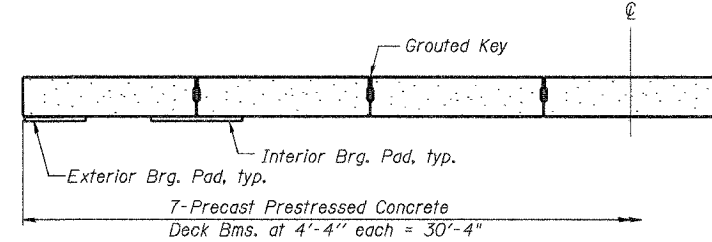
Note:
Place strands symmetrically about ϕ of beam.



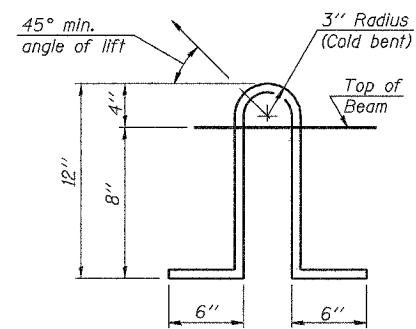
U BAR



PLAN



HALF CROSS SECTION



LIFTING LOOP DETAIL

NOTES

Prestressing steel shall be uncoated high strength, low relaxation 7-wire strand, Grade 270. The nominal diameter shall be 1/2" and the nominal cross-sectional area shall be 0.153 sq. in. Lifting loops shall be 2 - 1/2" ϕ -270 ksi strands, as shown. The 1" ϕ rods in the transverse tie assembly shall be tightened to a snug fit and the threads set. Pockets that receive transverse tie bar on outside shall be filled with grout after transverse tie assembly is in place. N/A

Non prestressing steel placed in deck beams shall conform to ASTM A 706 (IL MOD), Grade 60, and shall be included in the cost of the deck beams.

The bearing seat surfaces shall be adjusted by shimming to assure firm and even bearing. Two 1/8" fabric adjusting shims of the dimensions of the Exterior Bearing Pad shall be provided for each bearing.

Keyway surfaces shall be cleaned to remove form oil or other bond breaking material prior to shipment of the beams. Cleaning shall be done by sandblasting the keyway areas between top of the beam and the bottom edge of the key.

Corrosion Inhibitor, per Article 1020.05(b)(12) of the Standard Specifications, shall be used in the concrete for precast prestressed concrete deck beams.

Required Release Strength, f'ci, shall be 4,000 p.s.i.

P.P.C. DECK BEAM DETAILS

**BROOKVIEW ROAD BRIDGE
OVER SPRING CREEK
ROCKFORD ROAD DISTRICT
WINNEBAGO COUNTY
SECTION 04-09116-00-BR**

McClure
Engineering Associates, Inc.
7282 Argus Drive
Rockford, Illinois 61107-5837
(815) 398-2332 FAX (815) 398-2496
Design Firm License: Illinois 184-000816
Copyright 2008 By McClure Engineering Associates, Inc.