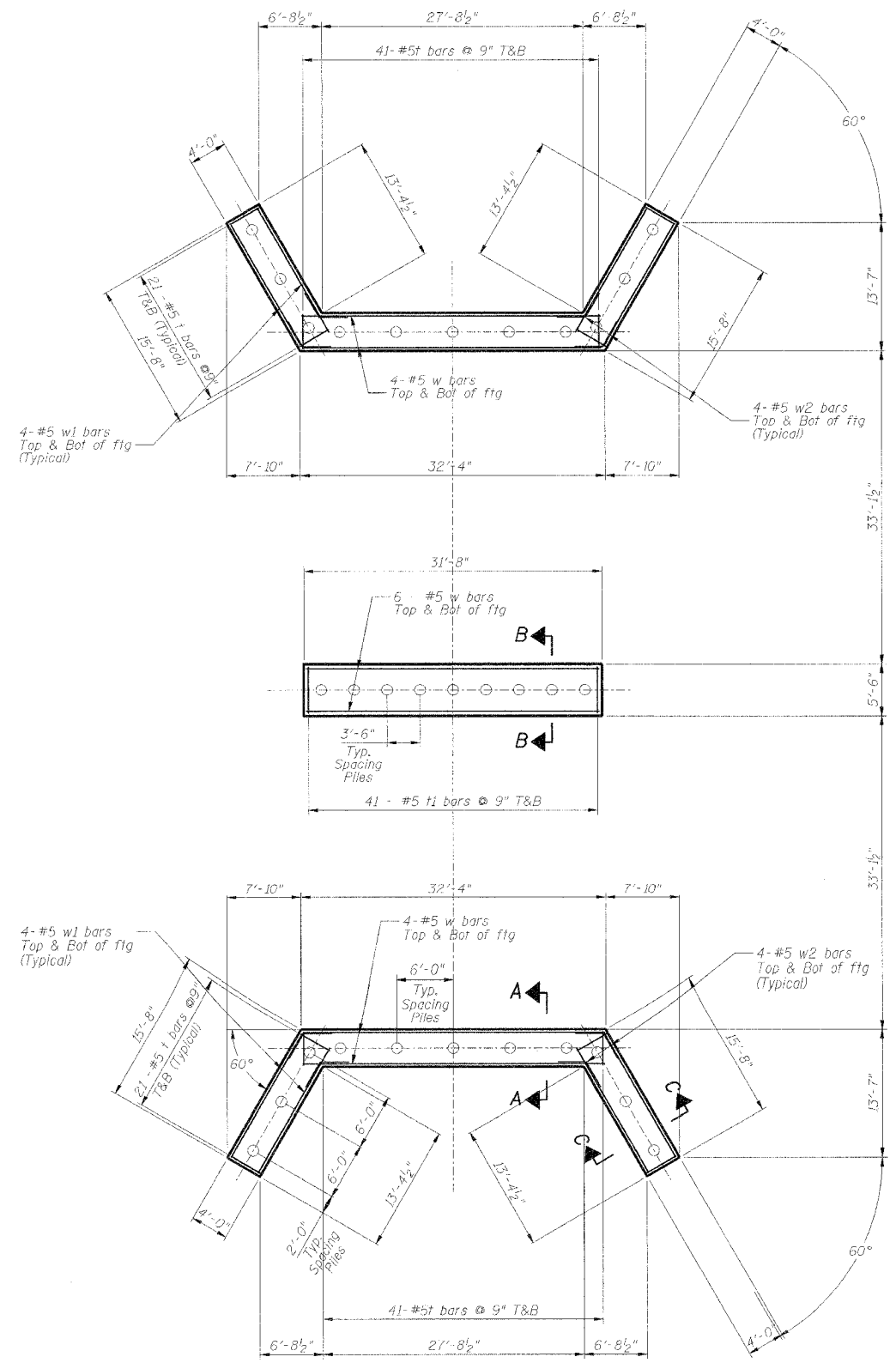
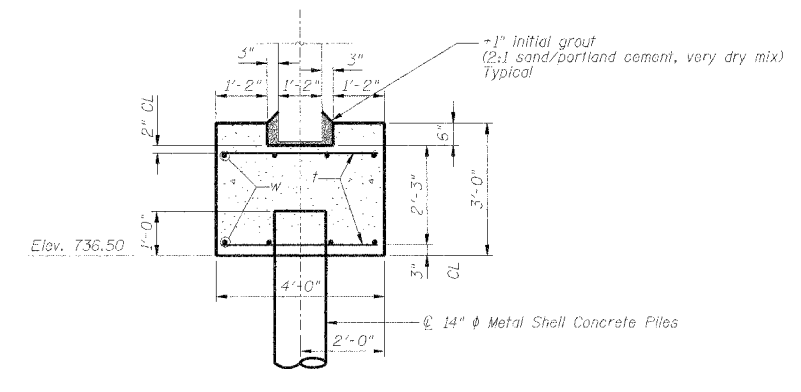


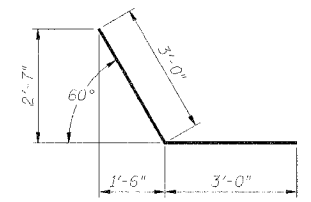
CAL.	SECTION	COUNTY	TOTAL SHEETS	SHEET NO.
23	04-0004-02	WINNEBAGO	10	7
FED. ROAD DIST. NO.		BLINDS	PROJECT	



FOUNDATION PLAN

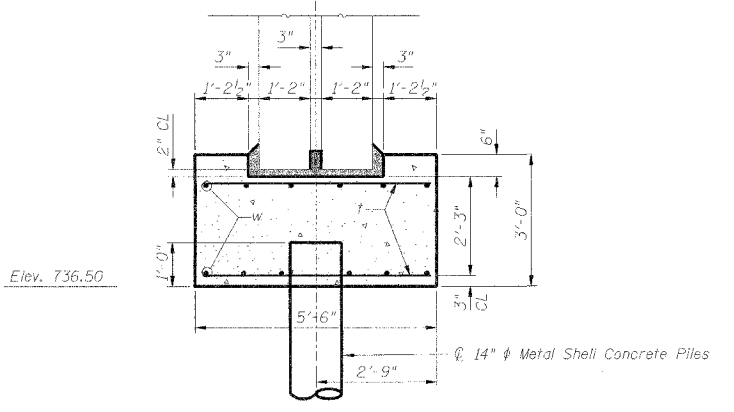


SECTION A-A

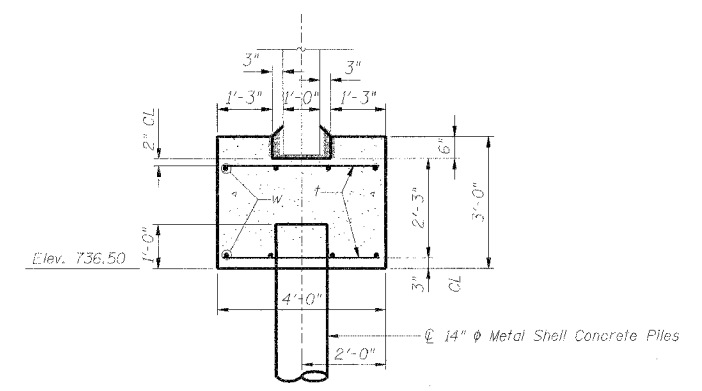


BAR w2

MIN BAR LAP
#5 bars = 2'-2"



SECTION B-B



SECTION C-C

BILL OF MATERIAL

Bar	No.	Size	Length	Shape
f	332	#5	3'-8"	—
fl	82	#5	5'-2"	—
w	28	#5	3'-0"	—
w1	32	#5	15'-0"	—
w2	32	#5	6'-0"	—
Concrete Structures			Cu. Yd.	74.0
Reinforcement Bars			Pound	3320

NOTES

Structure footing is to be poured monolithically with wingwall footing.
 Bars indicated thus 8x3-#5 etc indicates 8 lines of bars with 3 lengths per line.
 Minor field variations may be required for three sided system selected. Major deviations shall be approved by the Engineer.
 Structure excavation is included with "Throo Sided Precast Concrete Structure 36' Span."
 Precast units shall be constructed and installed in accordance with manufacturer's specifications.

FOOTING PLAN AND DETAILS

REVISIONS		WHEELER ROAD OVER OTTER CREEK		DRAWN BY	DATE
1		WINNEBAGO	COUNTY	DMW	08/07
2				CHECKED BY	DATE
3				TS	08/07
4				BOOK NUMBER	
5				PROJECT NO.	5219
6				SHEET NO.	
7					
8					
9					
10					

HOMER L. CHASTAIN & ASSOCIATES, LLP
 CONSULTING ENGINEERS
 184-00197

CHICAGO
 (312) 422-8544 (773) 714-0050

ROCKFORD
 (815) 489-0050