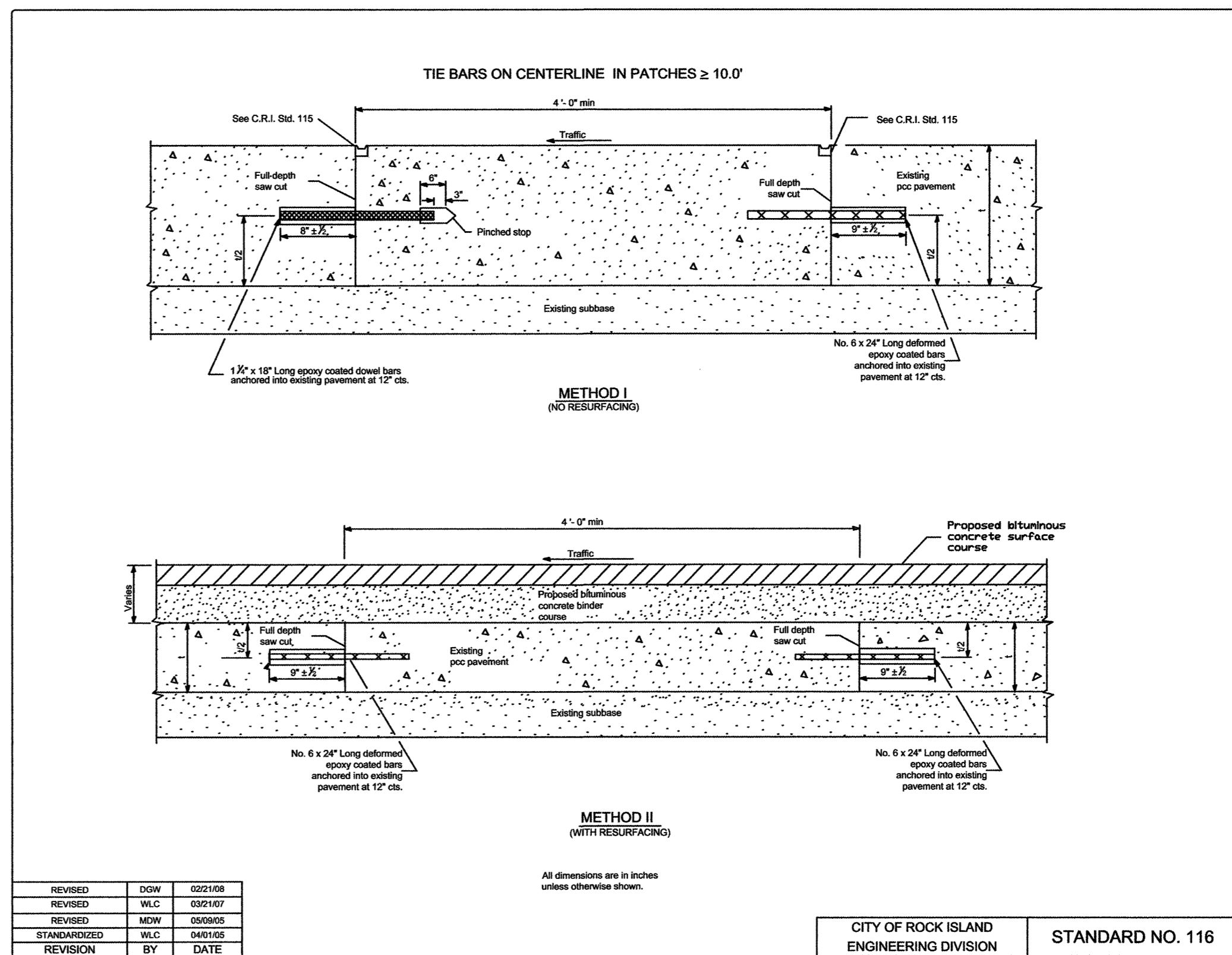


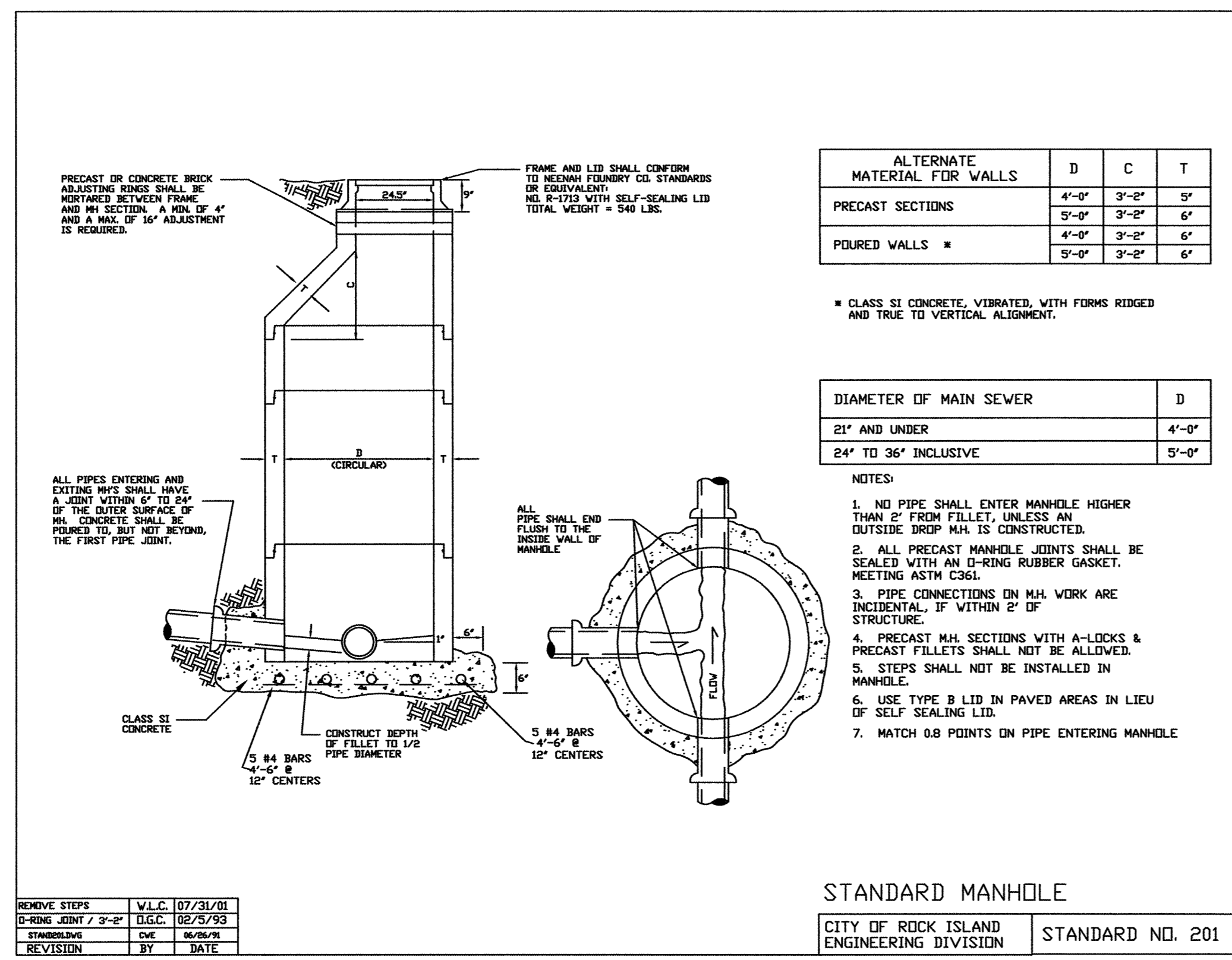
REVISED	MDW	03/26/09
REVISED	TAB	01/07/00
STANDARDIZED	CVC	06/26/91
REVISION	BY	DATE

DETAIL OF JOINT FILLER
CITY OF ROCK ISLAND ENGINEERING DIVISION STANDARD NO. 115



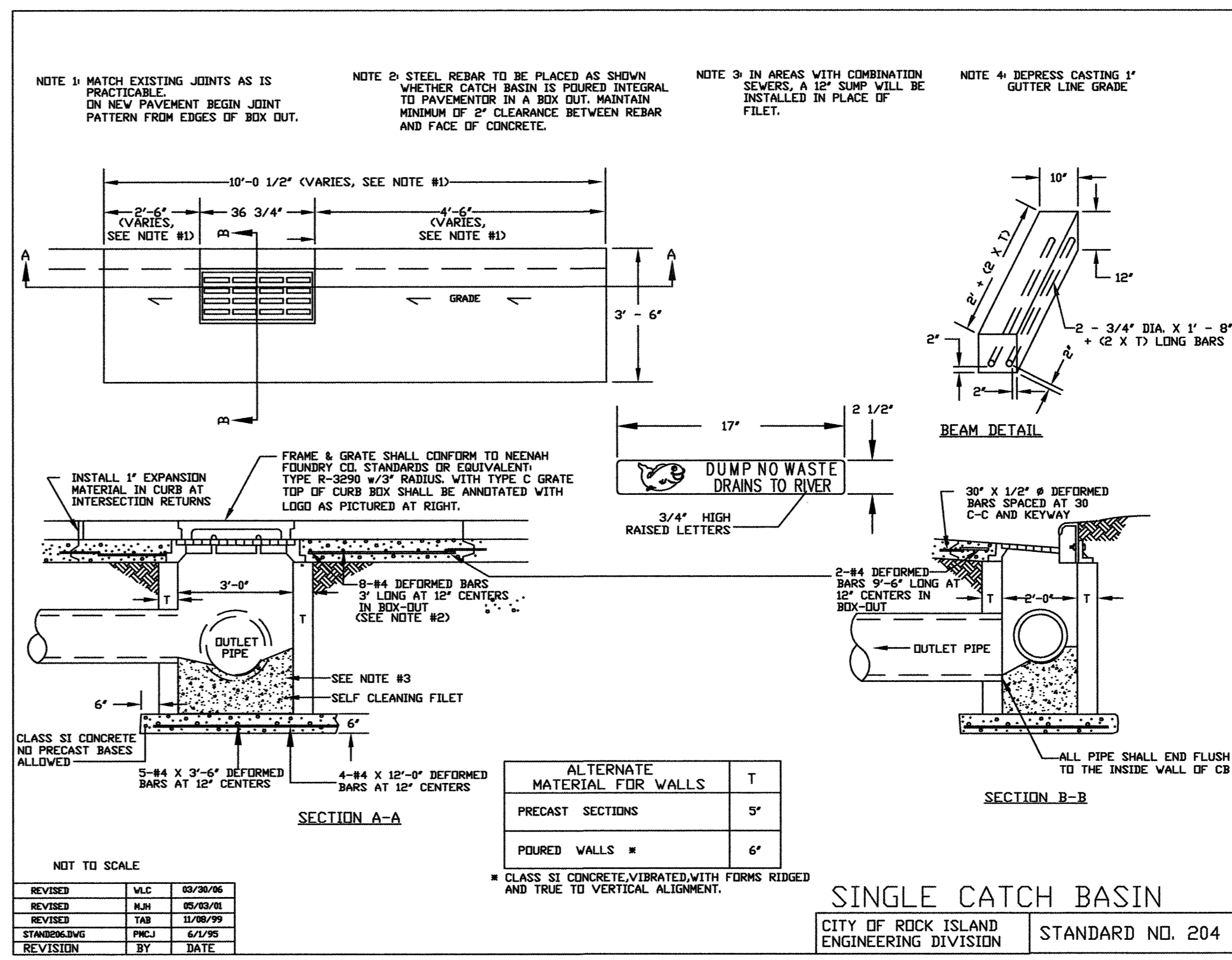
REVISED	DOW	03/21/00
REVISED	WLC	03/21/07
REVISED	MDW	05/09/05
STANDARDIZED	WLC	04/01/05
REVISION	BY	DATE

CITY OF ROCK ISLAND ENGINEERING DIVISION STANDARD NO. 116



REMOVE STEPS	WLC	07/31/01
D-RING JOINT / 3'-2"	DGC	02/5/93
EMERGENCY	CVC	06/26/91
REVISION	BY	DATE

STANDARD MANHOLE
CITY OF ROCK ISLAND ENGINEERING DIVISION STANDARD NO. 201



REVISED	WLC	03/28/06
REVISED	MJM	05/02/01
REVISED	TAB	11/26/99
STANDARDIZED	PCP	07/07/95
REVISION	BY	DATE

SINGLE CATCH BASIN
CITY OF ROCK ISLAND ENGINEERING DIVISION STANDARD NO. 204

CITY OF ROCK ISLAND ENGINEERING DIVISION

Mill Street Rehabilitation
3rd Avenue To 6th Avenue

Job Number 2550
Computer Drawing Name S:\PW\ENG\JOBS\2550

Date April 2, 2008
By WLC
Sheet 12
Of 14

RI
ROCK ISLAND ILLINOIS