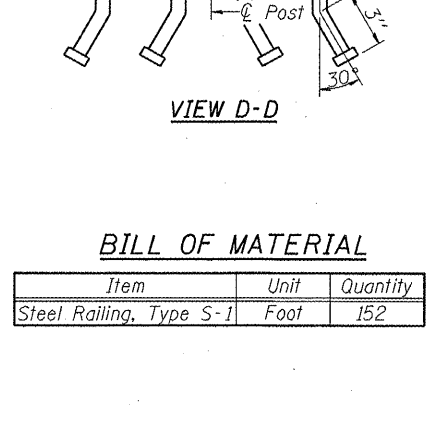
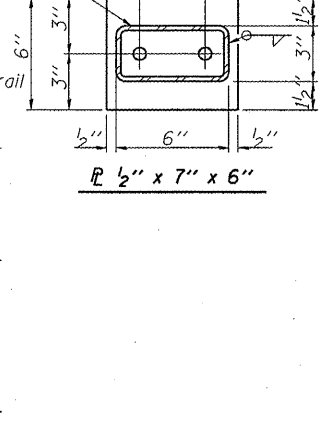
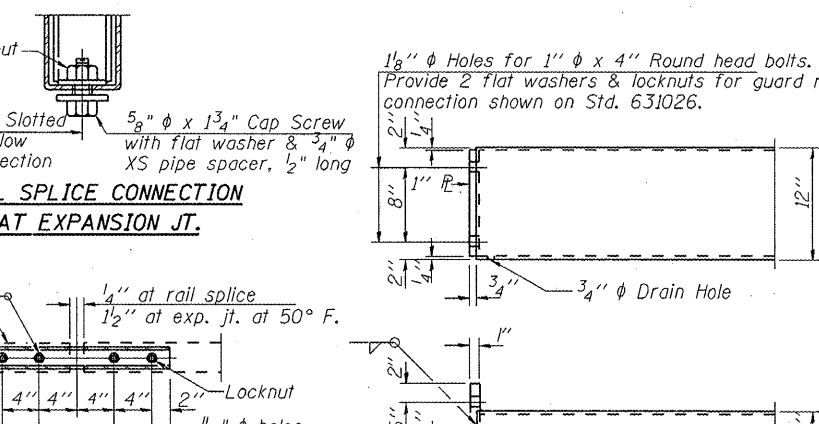
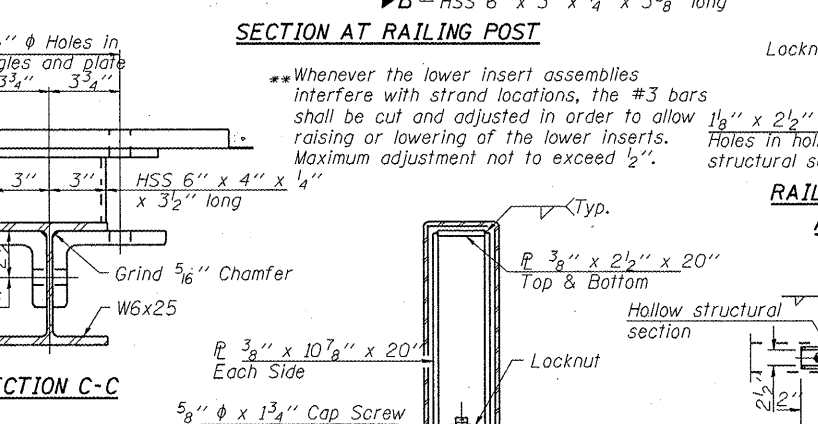
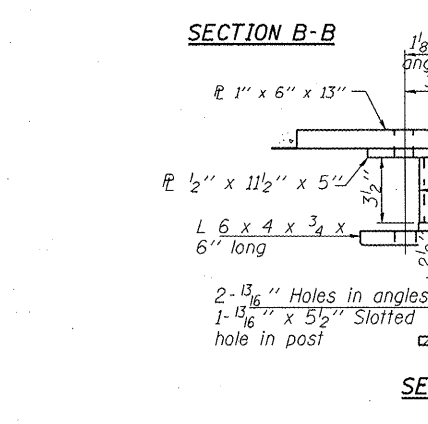
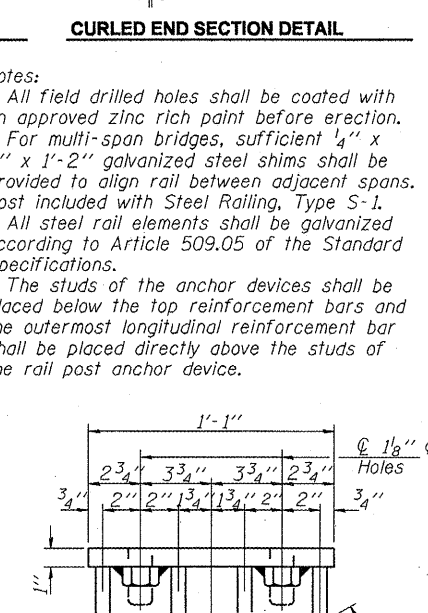
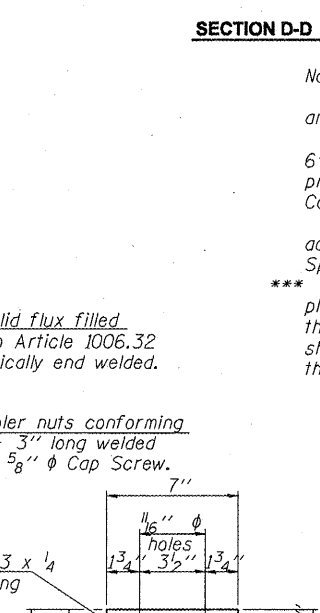
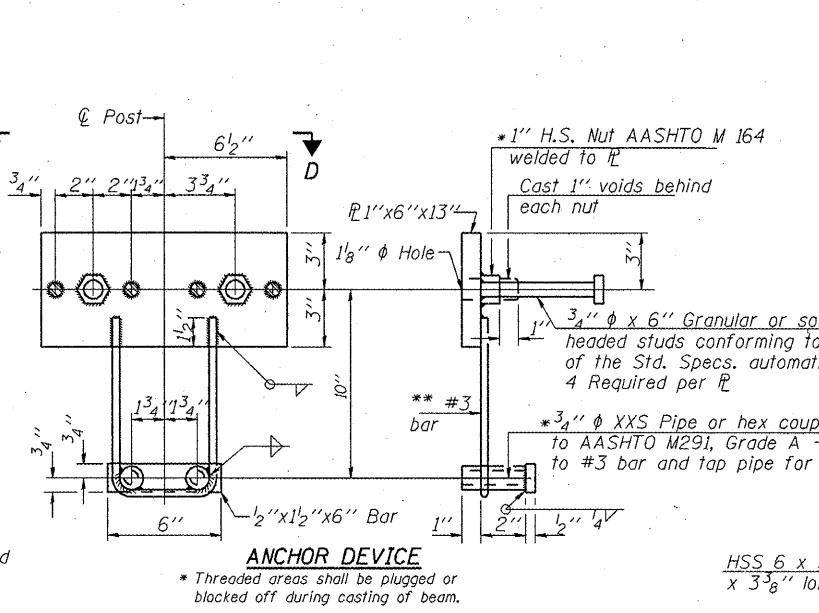
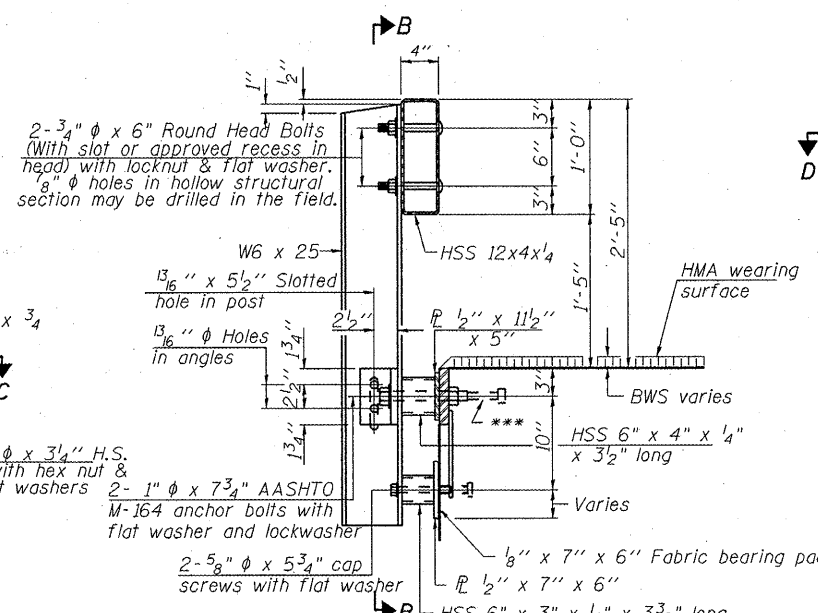
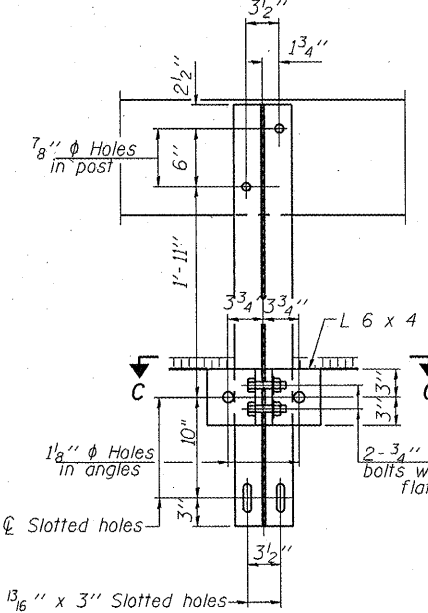
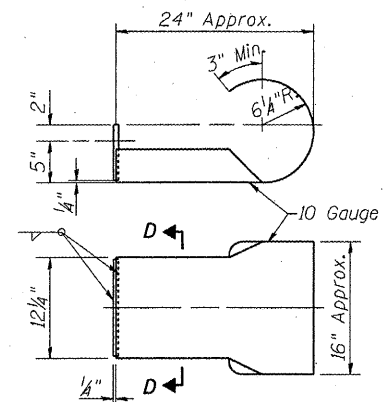
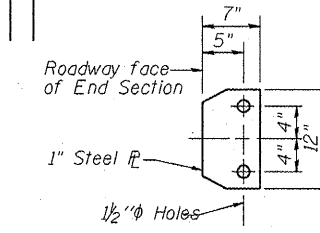
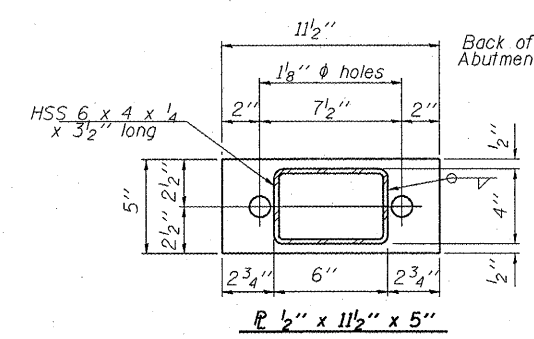
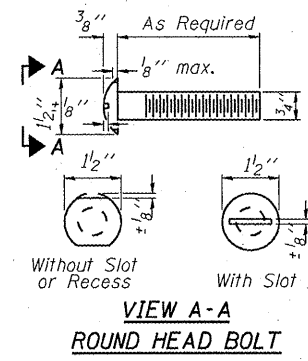
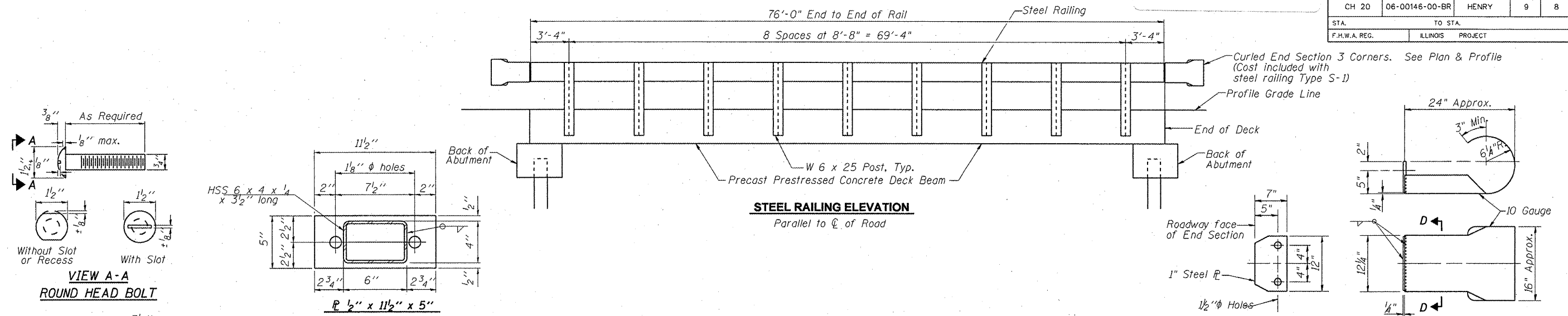


ROUTE NO.	SECTION	COUNTY	TOTAL SHEETS	SHEET NO.
CH 20	06-00146-00-BR	HENRY	9	8
STA.	TO STA.			
F.H.W.A. REG.	ILLINOIS PROJECT			



Notes:  
 All field drilled holes shall be coated with an approved zinc rich paint before erection. For multi-span bridges, sufficient 1/4" x 6" x 1'-2" galvanized steel shims shall be provided to align rail between adjacent spans. Cost included with Steel Railing, Type S-1.  
 All steel rail elements shall be galvanized according to Article 509.05 of the Standard Specifications.  
 \*\*\* The studs of the anchor devices shall be placed below the top reinforcement bars and the outermost longitudinal reinforcement bar shall be placed directly above the studs of the rail post anchor device.

**BILL OF MATERIAL**

Item	Unit	Quantity
Steel Railing, Type S-1	Foot	152

**STEEL RAILING, TYPE S-1**

TYPE S-1 STEEL RAILING  
 SECTION: 06-00146-00-BR  
 HENRY COUNTY  
 STATION 103+85

R-23A 11-1-06 (10'-9" Maximum Post Spacing)