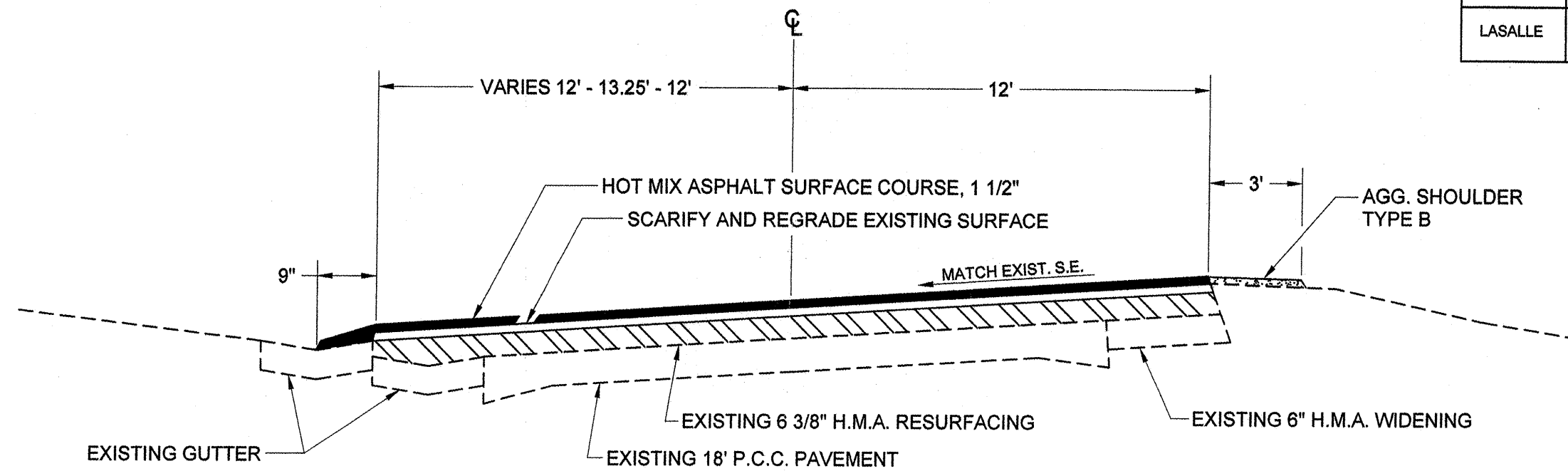
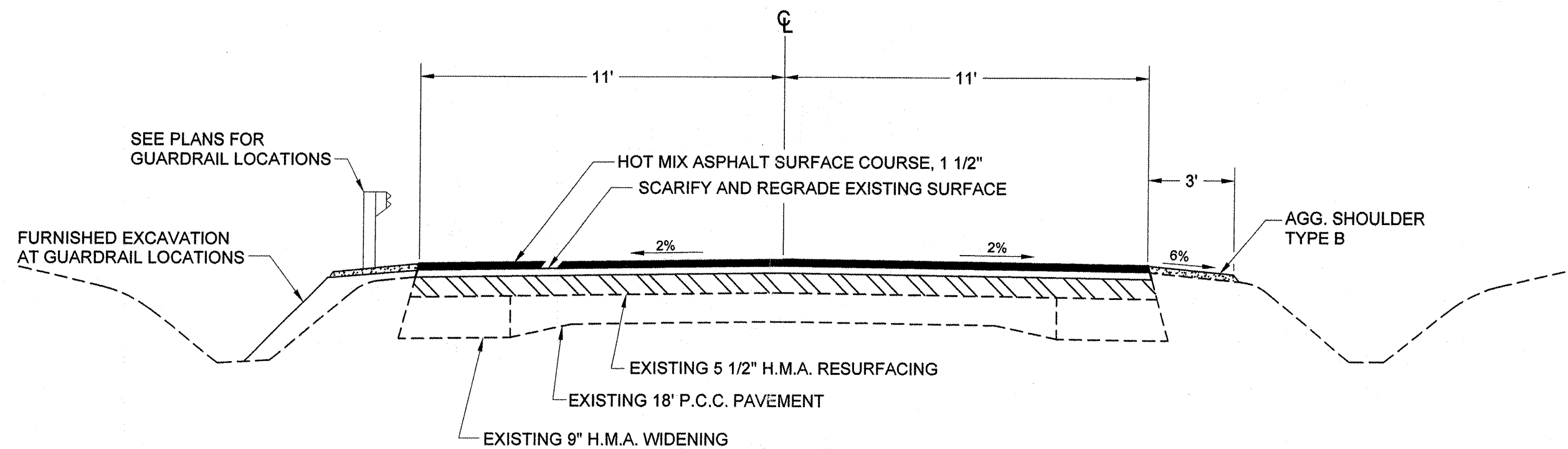


COUNTY	SECTION	HWY. NO.	SHEET NO.
LASALLE	08-00323-00-RS	C.H. 44	3 OF 6



TYPICAL SECTION #2
 STA. 272+82 TO STA. 277+34



TYPICAL SECTION #3
 STA. 290+16 TO STA. 647+82