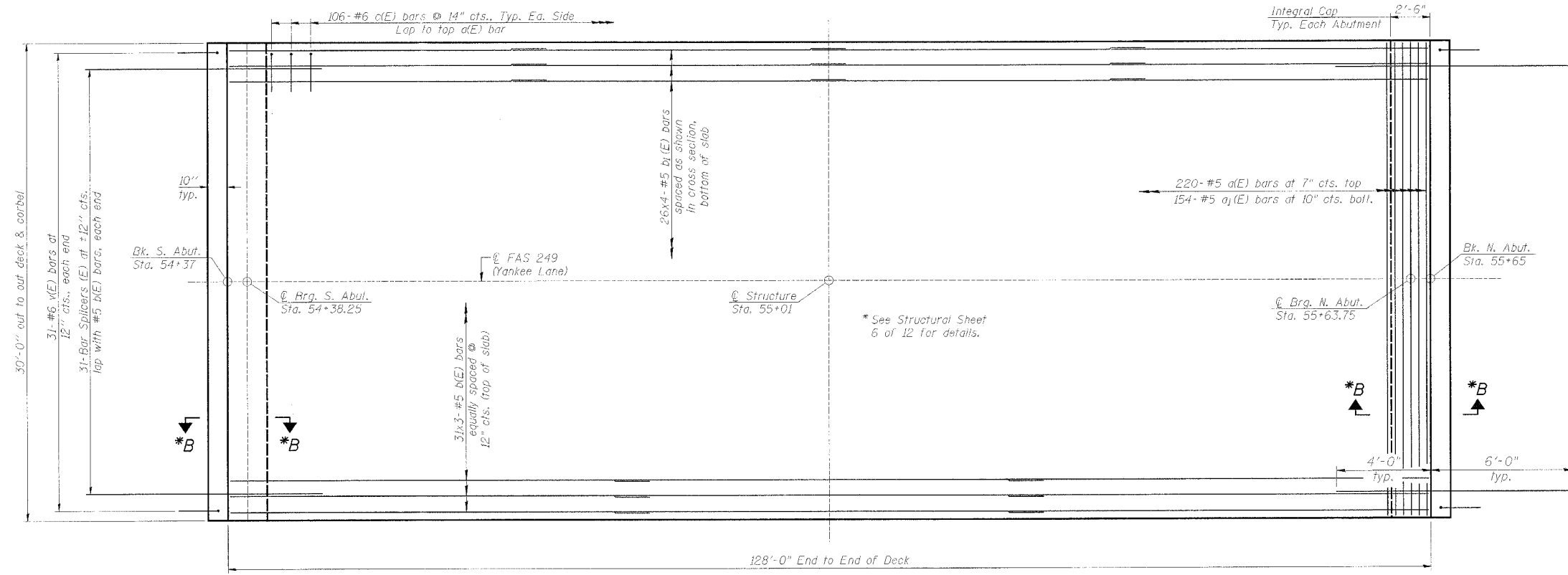
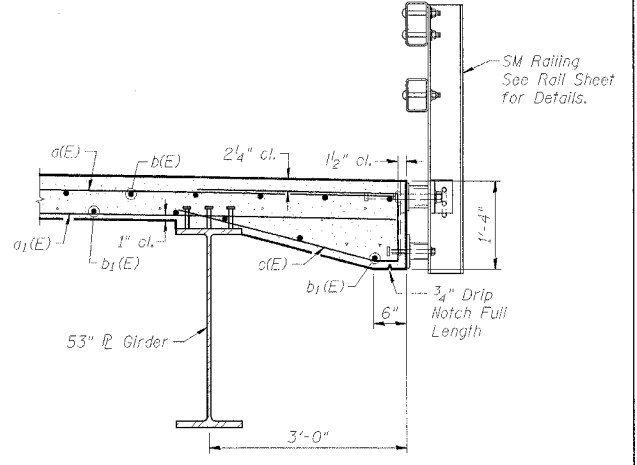


SECTION	COUNTY	SHEET	TOTAL
03-00190-00-BR	BUREAU	22	13

Contract No. 87365
Structural Sheet 5 of 12



PLAN



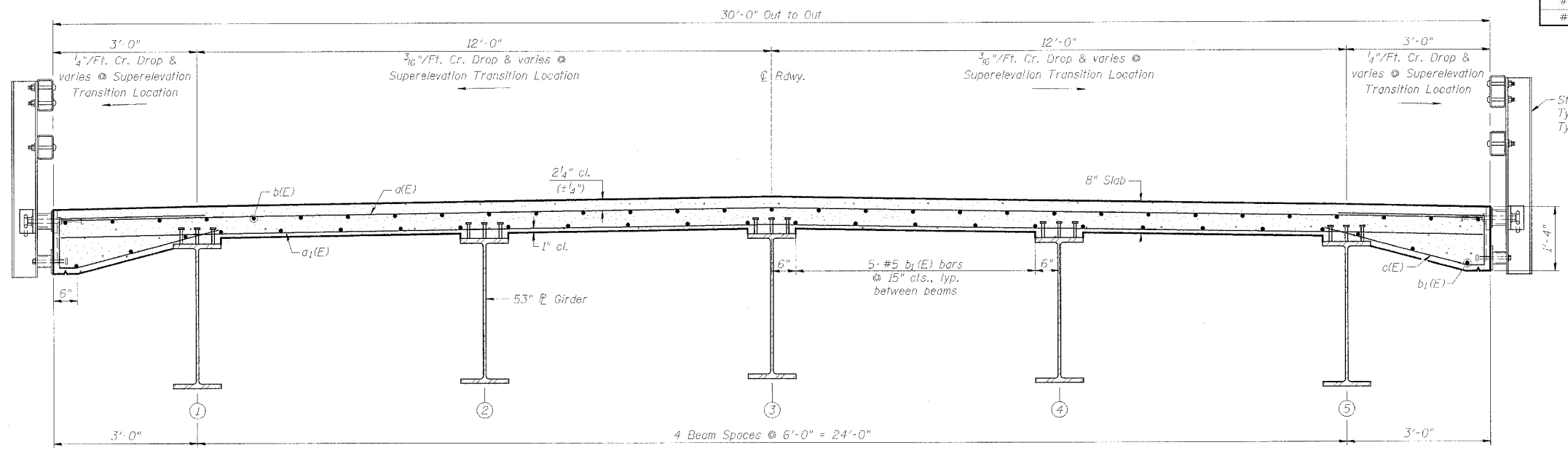
SECTION THRU EDGE OF DECK

Reinforcement bars in the top of the deck may be placed with a 1/2\"/>

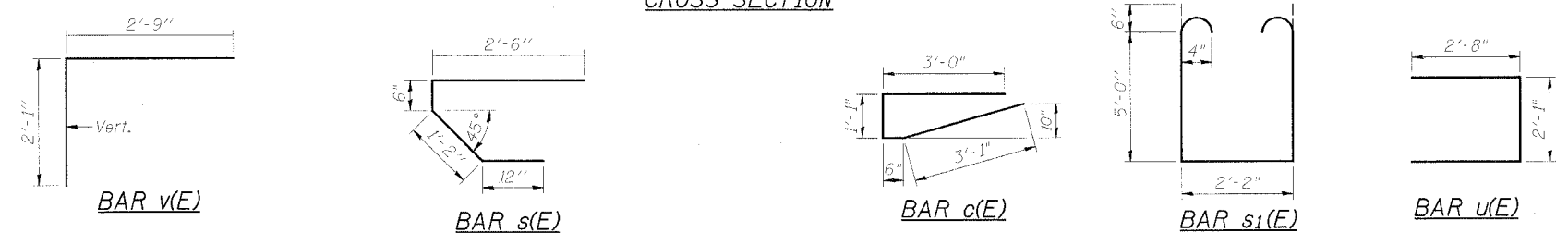
BAR	LAP
#4	1'-8"
#5	2'-2"
#6	2'-7"
#7	3'-5"
#8	4'-6"

SUPERSTRUCTURE
BILL OF MATERIAL

Bar	No.	Size	Length	Shape
a(E)	220	#5	29'-8"	—
a1(E)	154	#5	29'-8"	—
b(E)	93	#5	44'-0"	—
b1(E)	104	#5	33'-6"	—
c(E)	212	#6	7'-8"	—
m(E)	10	#6	29'-8"	—
m1(E)	50	#6	8'-2"	—
m2(E)	8	#6	5'-8"	—
m3(E)	4	#6	2'-8"	—
s(E)	60	#5	5'-2"	U
s1(E)	60	#4	13'-2"	U
u(E)	16	#6	7'-5"	U
v(E)	62	#6	4'-10"	L
Concrete Superstructure		Cu. Yd.	140.3	
Bridge Deck Grooving		Sq. Yd.	400	
Protective Coat		Sq. Yd.	427	
Furnishing & Erecting Structural Steel		I. Sum	1	
Stud Shear Connectors		Each	1,920	
Reinforcement Bars, Epoxy Coated		Pound	24,540	
Anchor Bolts, 1"		Each	20	



CROSS SECTION



NOTES:
Reinforcement bars designated (E) shall be epoxy coated.
Bars indicated thus 26x3-#5 etc. indicates 26 lines of bars with 3 lengths per line.

SUPERSTRUCTURE
FAS 249 (C.H. 17 - YANKEE LANE) OVER CROW CREEK
SECTION 03-00190-00-BR
STA. 55+01 (S.N. 006-3231)
BUREAU COUNTY
PROJECT NO. BRS-249(104)
WHA #1119D05