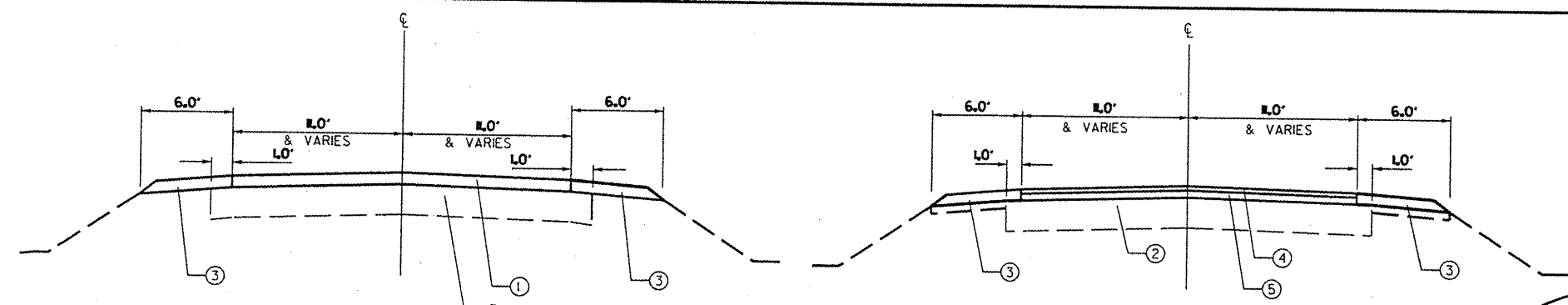
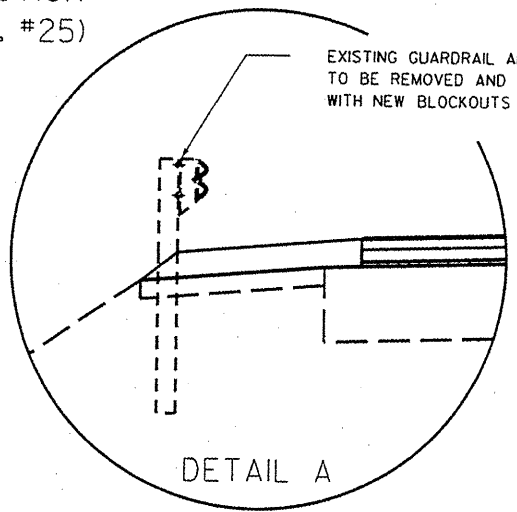


F.A.S. RTE.	SECTION	COUNTY	TOTAL SHEETS	SHEET NO.
2360	04-00058-09-FP	WOODFORD	9	3
STA. 10+12 TO STA. 235+00		ILLINOIS FED. AID PROJECT		

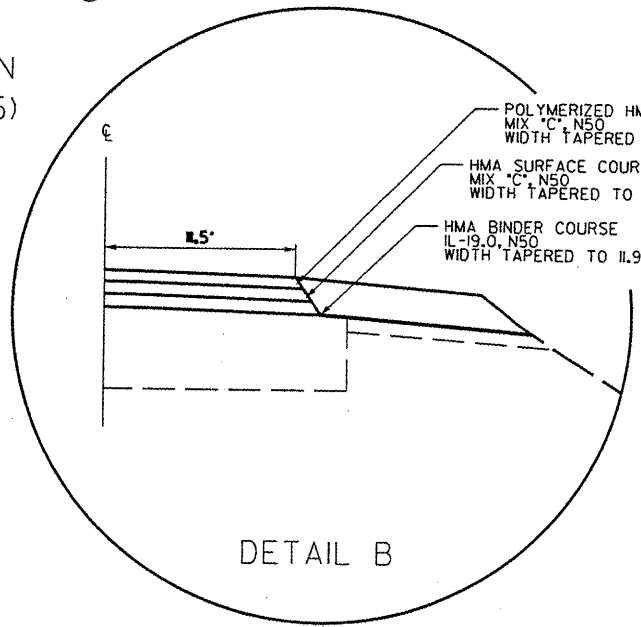


EXISTING TYPICAL SECTION
SANTA FE TRAIL (C.H. #25)
(Oil and Chip)

EXISTING TYPICAL SECTION
SANTA FE TRAIL (C.H. #25)
(HMA)

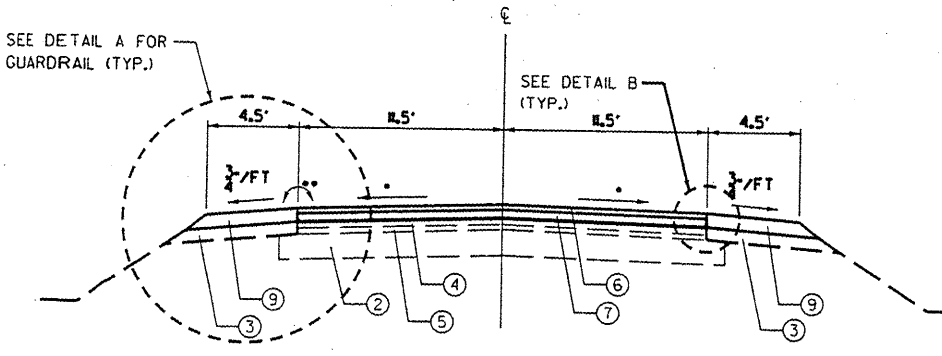


DETAIL A



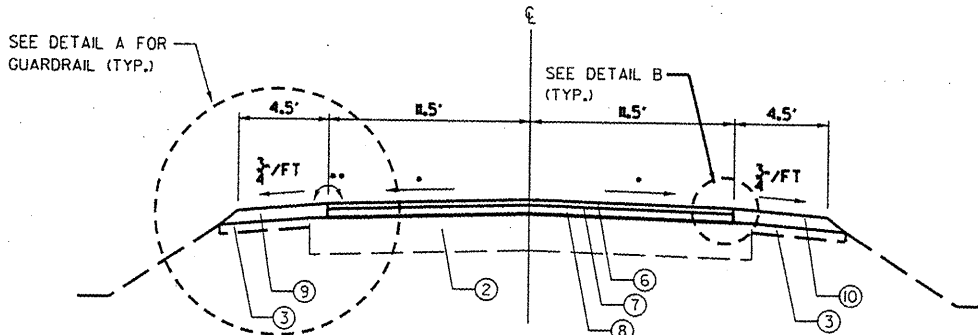
DETAIL B

- ① EXISTING BITUMUNIOUS A-3 SURFACE
- ② EXISTING AGGREGATE BASE COURSE- 12' & VARIES
- ③ EXISTING AGGREGATE SHOULDERS
- ④ EXISTING BITUMUNIOUS SURFACE COURSE- 2' &VARIES
- ⑤ EXISTING BITUMUNIOUS BINDER COURSE- 2' & VARIES
- ⑥ POLYMERIZED HOT-MIX ASPHALT SURFACE COURSE, MIX 'C', N50, 1 1/4"
- ⑦ HOT-MIX ASPHALT SURFACE COURSE, MIX 'C', N50, 1 1/4"
- ⑧ HOT-MIX ASPHALT BINDER COURSE, IL-19.0, N50, 2 1/4"
- ⑨ AGGREGATE SHOULDERS, TY B - 2 1/2"
- ⑩ AGGREGATE SHOULDERS, TY B - 4 3/4"



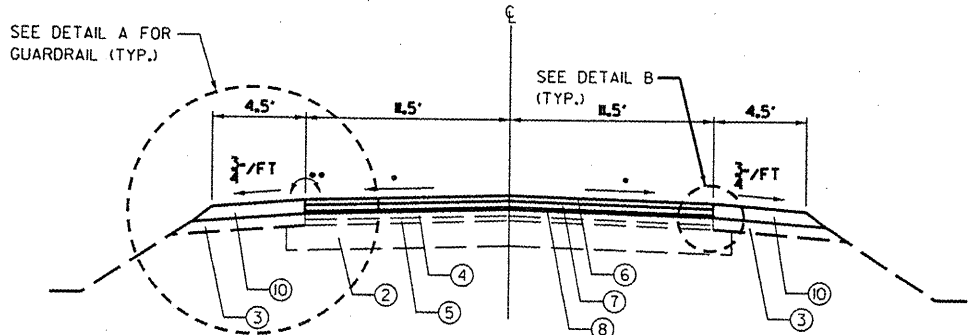
PROPOSED TYPICAL SECTION
SANTA FE TRAIL (C.H. #25)
(over existing HMA)

STA 10+12 TO STA 19+91
STA 20+64 TO STA 36+00



PROPOSED TYPICAL SECTION
SANTA FE TRAIL (C.H. #25)

STA 53+00 TO STA 68+69
STA 77+74 TO STA 104+00
STA 107+77 TO STA 148+90
STA 155+85 TO STA 235+00



PROPOSED TYPICAL SECTION
SANTA FE TRAIL (C.H. #25)
(over existing HMA)

STA 36+00 TO STA 53+00
STA 68+69 TO STA 77+74
STA 104+00 TO STA 107+77
STA 148+90 TO STA 155+85

STRUCTURAL DESIGN TRAFFIC: YEAR 2018
PV = 1693 SU = 109 MU = 18 AADT = 1820

ROAD/STREET CLASSIFICATION: CLASS III

PERCENT OF STRUCTURAL DESIGN TRAFFIC IN DESIGN LANE:
P = 93% S = 6% M = 1%

TRAFFIC FACTOR: ACTUAL TF = 0.19
MIN TF = N/A

PG GRADE: BINDER = PG 58-22
SURFACE = PG 64-28
SURFACE = SBS_PG 64-28
SUBGRADE SUPPORT RATING: SSR = N/A

MIX DESIGN	BINDER	SURFACE	POLY. SURFACE	INCIDENTAL
PG:	PG 58-22	PG 64-28	SBS 64-28	PG 64-28
RAP (%)max	25%	10%	10%	10%
DESIGN AIR VOIDS	4%	4%	4%	4%
GRADATION MIXTURE	IL-19.0	IL-9.5	IL-9.5	IL-9.5
FRICTION AGGREGATE	-	-	-	-
N DESIGN	N50	N50	N50	N50

WOODFORD COUNTY
HIGHWAY DEPARTMENT

DENNIS BACHMAN, P.E., COUNTY ENGINEER
301 S. Main St., P.O. Box 467
Rooanoke, IL 61561-0467
TEL: 309-923-2891
FAX: 309-923-7928

F. A. S. RTE. 2360
SECTION 04-00058-09-FP
SANTA FE TRAIL (C.H. #25)

PROPOSED
TYPICAL SECTION

SCALE: 1"=5'
DATE: 1/25/08

DRAWN BY: BJH
CHECKED BY: DOB

PLOT SCALE: 1"=5'