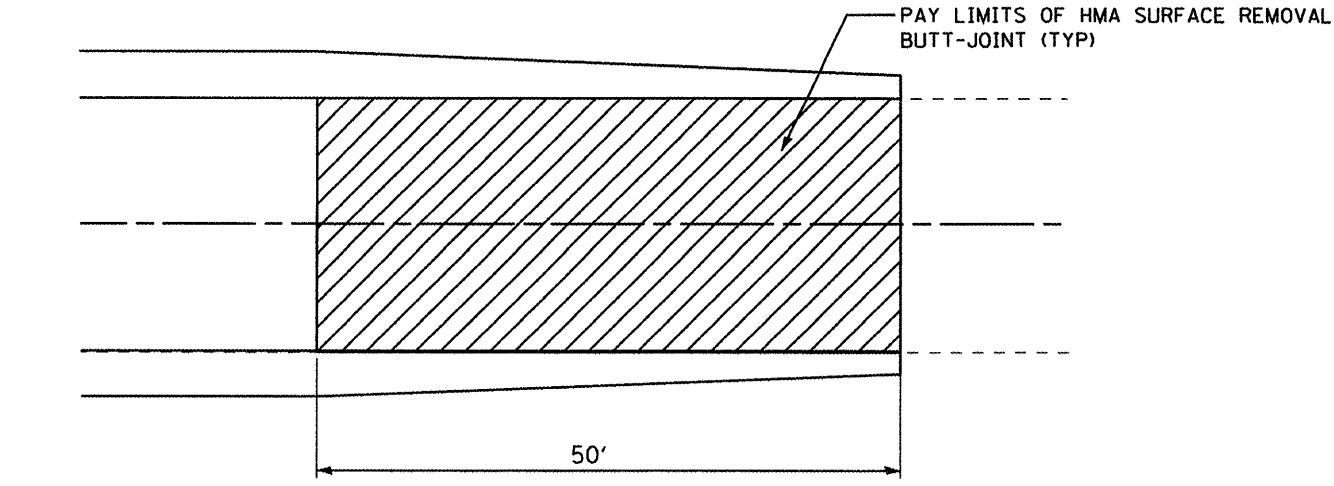
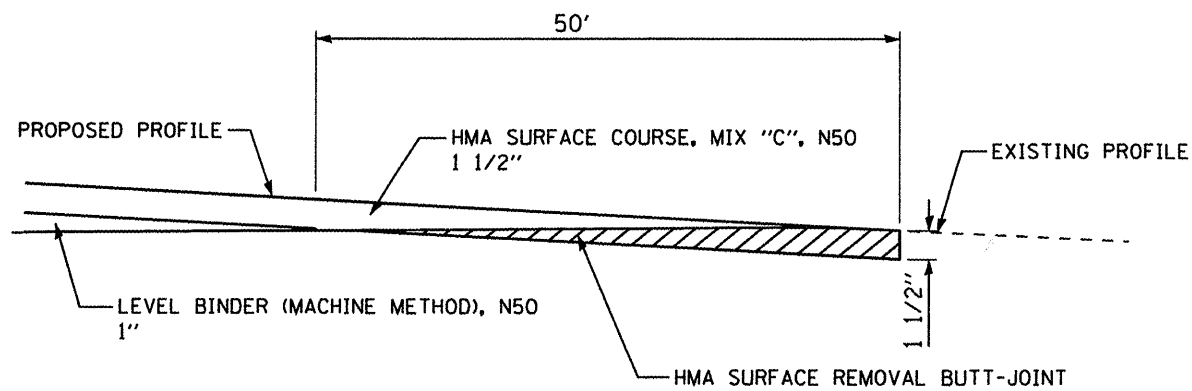


ROUTE NO.	SECTION	COUNTY	TOTAL SHEETS	SHEET NO.
FAS 666	99-00080-00-RP	DOUGLAS	279	102
FEDORAD DISTANG. ...	ILLINOIS	PROJECT	C-95-323-07	

HMA SURFACE REMOVAL, BUTT JOINT DETAIL

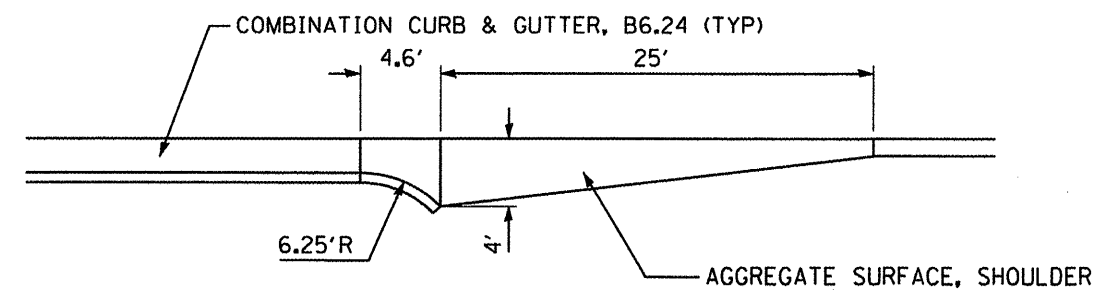


PLAN VIEW

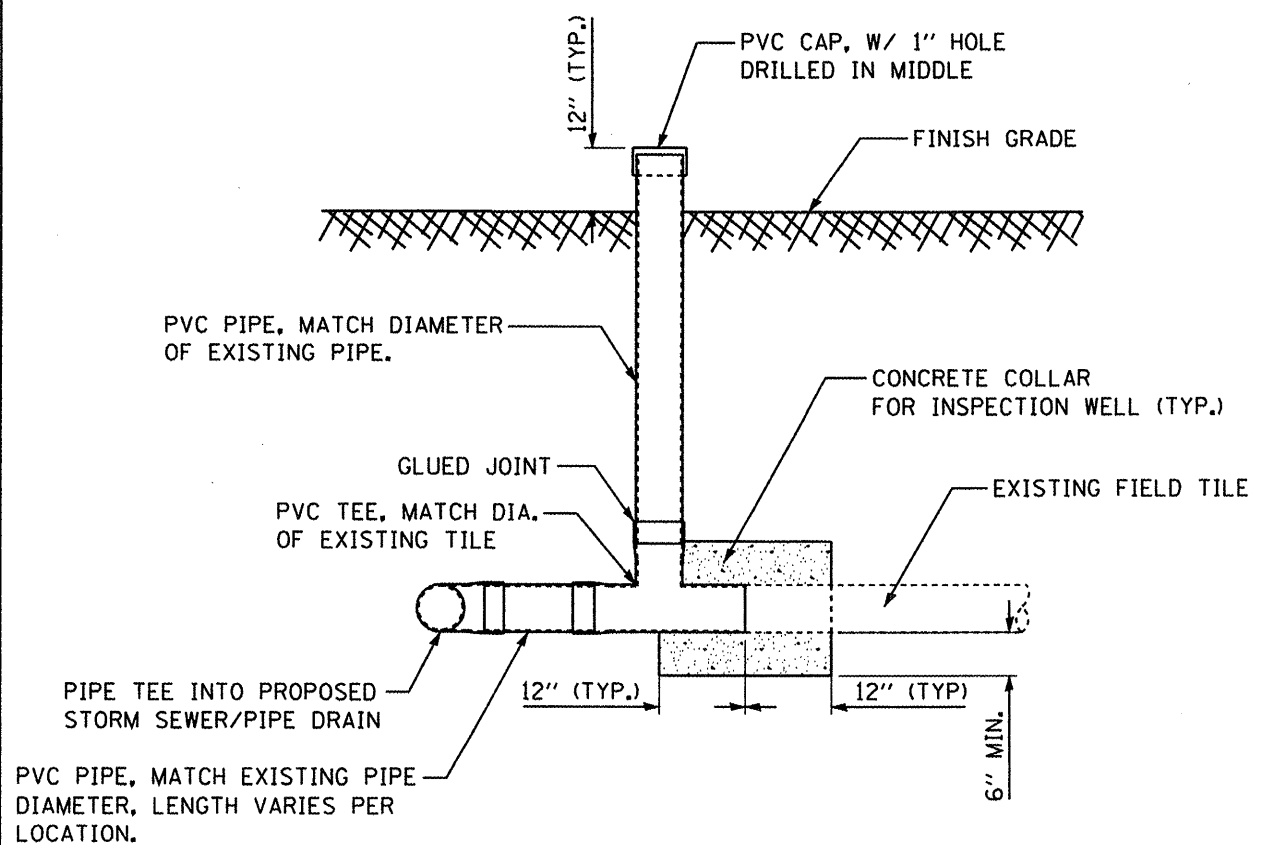


PROFILE VIEW

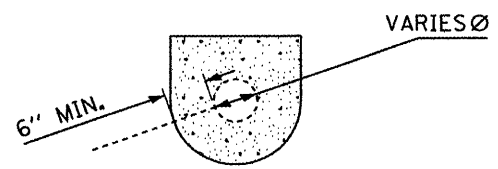
COMBINATION CURB & GUTTER B6.24 FLARED INLET/OUTLET



Z0030900 INSPECTION WELLS



CONCRETE COLLAR FOR INSPECTION WELLS



GENERAL NOTES:

ALL ITEMS REQUIRED TO CONSTRUCT THE INSPECTION WELL TO INCLUDE THE CONCRETE COLLAR SHALL BE PAID FOR AT THE CONTRACT UNIT COST FOR INSPECTION WELL, EACH. NO ADDITIONAL COMPENSATION WILL BE ALLOWED.

THE PIPE DIAMETER SHALL BE DETERMINED BY THE SIZE OF THE EXISTING FIELD TILE-PIPE DRAIN THAT IS BEING TIED INTO THE PROPOSED PIPE DRAIN-STORM SEWER.

MISC DETAILS

Revisions	Surveyed: DLE	FAS ROUTE 666 (CH 11) DOUGLAS COUNTY, ILLINOIS
1	Designed: JEC	
2	Drawn: JEC	
3	Checked: ---	
4	Approved: JEC	
Job No.: NA	Date: 1/08	DOUGLAS COUNTY HIGHWAY DEPARTMENT TUSCOLA, ILLINOIS