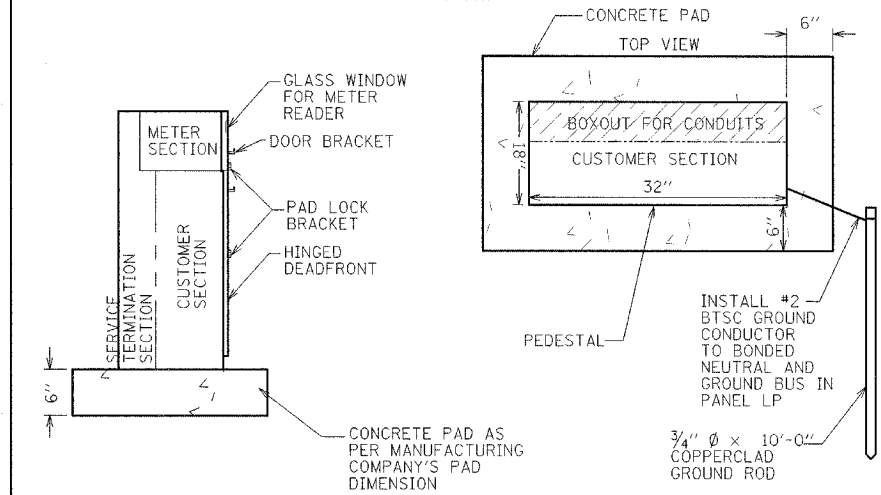


F.A. RTE.	SECTION	COUNTY	TOTAL SHEETS	SHEET NO.
	06-00334-00-SW	MCLEAN	14	E1.2
STA.	TO STA.			
FED. ROAD DIST. NO.	ILLINOIS	FED. AID PROJECT		

NOTES:

- NEMA TYPE 3R ALUMINUM ENCLOSURE WITH BOTH SIDES ACCESSIBLE WITH DEAD FRONT
- PEDESTAL SHALL BE ANCHORED WITH (4) ANCHOR BOLTS IN CONCRETE PAD
- 200 AMP, 3 PHASE METER RATING
- ACCESSIBLE DOORS SHALL BE LOCKABLE.
- METERING PEDESTAL SHALL BE GROUNDED AND BONDED AS PER NEC
- MANUFACTURER MILBANK WEST MODEL *CP3352529K-SP VERIFY COMPLETE
MEGLIO & ASSOCIATES - DON HARROD (217) 496-3524

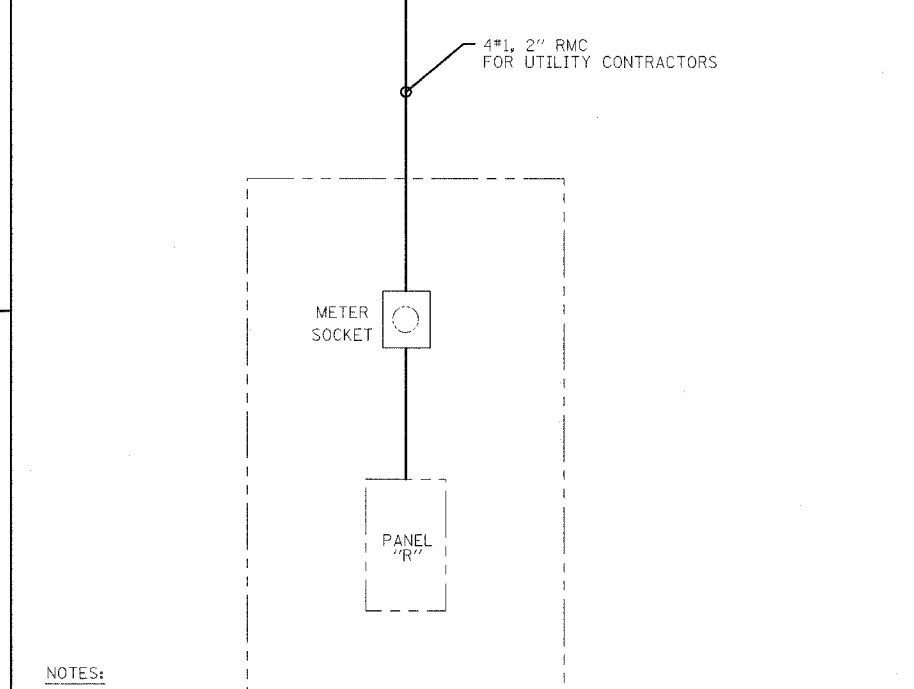


1 3-Phase Meter, Load Center, Lighting Control Pedestal

Scale: Not To Scale

2 One-Line Diagram

Scale: Not To Scale



NOTES:

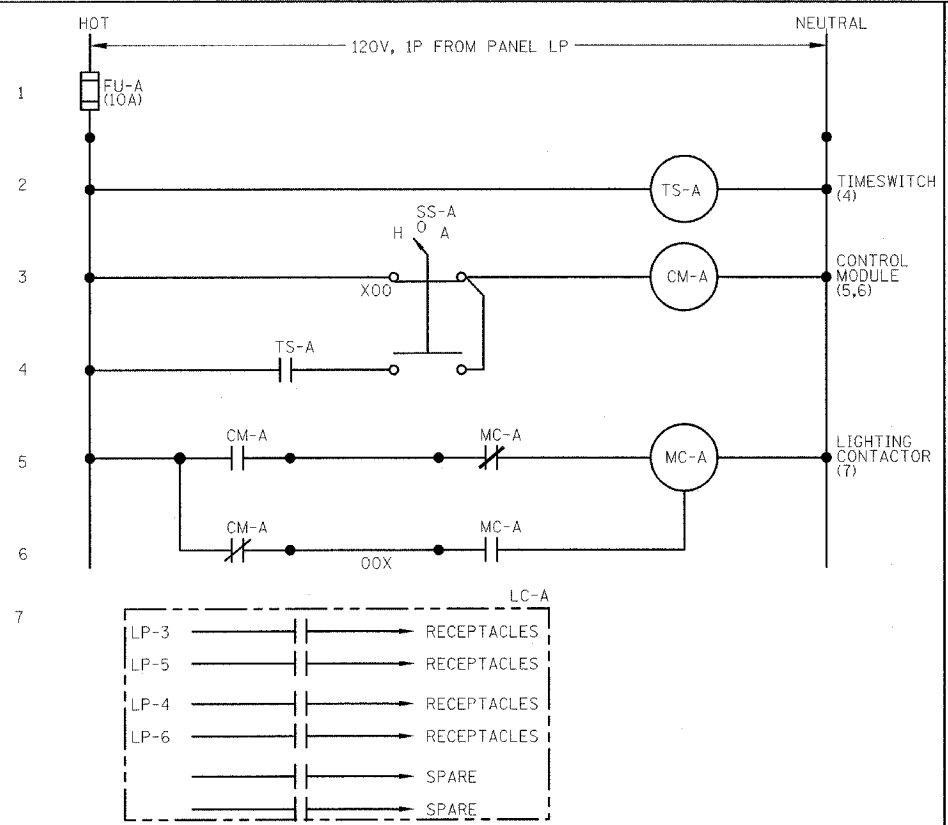
- PROVIDE MECHANICALLY HELD LIGHTING CONTACTOR
- LIGHTING CONTROL SHALL BE ACTIVATED BY TIMER FOR LIGHTS
- PROVIDE HAND OFF AUTO CONTROL SWITCH
- CONTRACTOR SHALL PROVIDE LIGHTING CONTROLS AS REQUIRED TO MAKE THE DECORATIVE LIGHTS OPERATIONAL.

2 One-Line Diagram

Scale: Not To Scale

REVISIONS	
NAME	DATE

ILLINOIS DEPARTMENT OF TRANSPORTATION
ELECTRICAL DETAILS
CITY OF BLOOMINGTON
DOWNTOWN MAIN STREET BEAUTIFICATION
FRONT STREET TO WASHINGTON STREET
SCALE: VERT. DATE: 01-31-08
DRAWN BY: CHECKED BY:

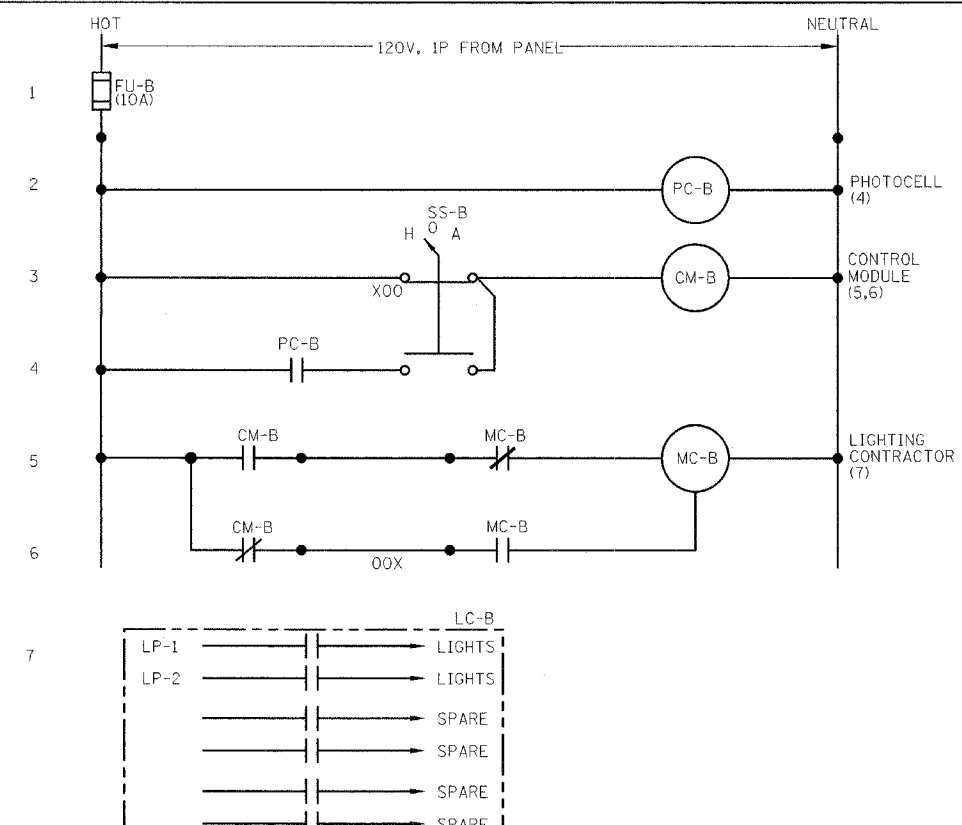


LIGHTING CONTROL NOTES:

- LIGHTING CONTACTOR SHALL BE SEIMENS CLM2B12 120 SERIES MECHANICALLY HELD, 6 POLE, 20 AMP REMOTE CONTROL LIGHTING CONTACTOR WITH ACCESSORY 47 TWO WIRE CONTROL MODULE.
- TIME SWITCH SHALL BE 120 VAC, PROGRAMMABLE, ELECTRONIC, 7-DAY, DUAL CHANNEL, INTERNALLY MOUNTED; INTERMATIC *E770215C/120V.
- SELECTOR SWITCH SHALL BE 3-POSITION, MAINTAINED SIEMENS 3SB03-3MKBX25 WITH METAL "MANUAL-OFF-AUTO" LEGEND PLATE *P30NPJ84.
- CONTRACTOR MAY SUBMIT EQUIPMENT AND COMPONENTS FROM OTHER MANUFACTURERS FOR ENGINEER'S APPROVAL.
- PROVIDE AS PART OF MILBANK WEST ENCLOSURE

5 Exterior Receptacle Control Detail (LC-A)

Scale: Not To Scale



LIGHTING CONTROL NOTES:

- LIGHTING CONTACTOR SHALL BE SEIMENS CLM2B12 120 SERIES MECHANICALLY HELD, 6 POLE, 20 AMP REMOTE CONTROL LIGHTING CONTACTOR WITH ACCESSORY 47 TWO WIRE CONTROL MODULE.
- PHOTOCELL SHALL BE 120 VAC WITH 1/2 INCH NIPPLE FOR CONDUIT MOUNTING PARAGON CW201-00.
- SELECTOR SWITCH SHALL BE 3-POSITION, MAINTAINED SIEMENS 3SB03-3MKBX25 WITH METAL "MANUAL-OFF-AUTO" LEGEND PLATE *P30NPJ84.
- CONTRACTOR MAY SUBMIT EQUIPMENT AND COMPONENTS FROM OTHER MANUFACTURERS FOR ENGINEER'S APPROVAL.
- PROVIDE AS PART OF MILBANK WEST ENCLOSURE

3 Exterior Lighting Control Detail (LC-B)

Scale: Not To Scale

PART OF MILBANK CP3 PANELBOARD LP																				
PANEL WIDTH:	20"	TYPE:	NQOD	VOLTS:	120/208	PHASE:	3	MAIN BREAKER:	100A											
AIC:	10,000	MOUNTING:	PEDESTAL	MAIN RATING:	100A	WIRE:	4	GROUND BAR:	100%											
		FEED:		BOTTOM POLES:	3			NEUTRAL BAR:	100%											
BRANCH BREAKERS																				
LOAD DESCRIPTION	AMP RATING	POLE	BREAKER ACCESS.	LOAD TYPE	CIRCUIT NUMBER	LEFT PHASE LOAD			RIGHT PHASE LOAD			CIRCUIT NUMBER	LOAD TYPE	BREAKER ACCESS.	POLE	AMP RATING	LOAD DESCRIPTION			
						A	B	C	A	B	C									
LIGHTING	20	1		L	1	780			655			2	L		1	20	LIGHTING			
RECEPTACLES	20	1		R	3		400			400		4	R		1	20	RECEPTACLES			
RECEPTACLES	20	1		R	5			400			200	6	R		1	20	RECEPTACLES			
SPARE	20	1			7							8			1	20	SPARE			
SPARE	20	1			9							10			1	20	SPARE			
SPARE	20	1			11							12			1	20	SPARE			
SPARE	20	1			13							14			1	20	SPARE			
SPARE	20	1			15							16			1	20	SPARE			
SPARE	20	1			17							18			1	20	SPARE			
SPARE	20	1			19							20			1	20	SPARE			
SPARE	20	1			21							22			1	20	SPARE			
SPARE	20	1			23							24			1	20	SPARE			
SPARE	20	1			25							26			1	20	SPARE			
SPARE	20	1			27							28			1	20	SPARE			
SPARE	20	1			29							30			1	20	SPARE			
SUB-TOTAL						780	400	400	655	400	200									
TOTAL						1415	800	600												
TOTAL CONNECTED LOAD:														2.8 kVA						
LIGHTING LOAD:														1.4 kVA x 100 % = 1.4 kVA						
RECEPTACLE LOAD:														1.4 kVA x 100 % = 1.4 kVA						
EQUIPMENT LOAD:														0.0 kVA x 50 % = 0.0 kVA						
TOTAL DEMAND LOAD:														2.8 kVA						
TOTAL DEMAND CURRENT:														8 A						

NOTES:

- BOND NEUTRAL AND GROUD BUS

4 Panelboard Schedules

Scale: Not To Scale

ELECTRICAL EQUIPMENT AND DEVICES					
LOCATION	QUANTITY	QUANTITY	QUANTITY	QUANTITY	QUANTITY
12+40.34, 38.25 RT	1		1		
12+7.58, 23.79 LT	1		1		
11+76.08, 38.61 RT	1		1		
11+9.44, 38.98 RT	1		1		
11+8.8, 21.91 LT	1		1		
10+51.2, 39.31 RT		1	1		
10+50.57, 20.9 LT		1	1		
12+40.31, 33.17 RT				1	
12.783, 17.51 LT				1	
11+76.05, 33.53 RT				1	
11+9.41, 33.9 RT				1	
11+8.87, 17.1 LT				1	
10+54.1, 34.21 RT				1	
10+53.59, 16.88 LT				1	
09+65.17, 1.62 LT				2	
09+67.12, 33.45 RT					1

6 Schedule Of Quantities

Scale: Not To Scale

PLOT DATE = \$DATE\$
FILE NAME = \$PFILE\$
USER NAME = \$USER\$