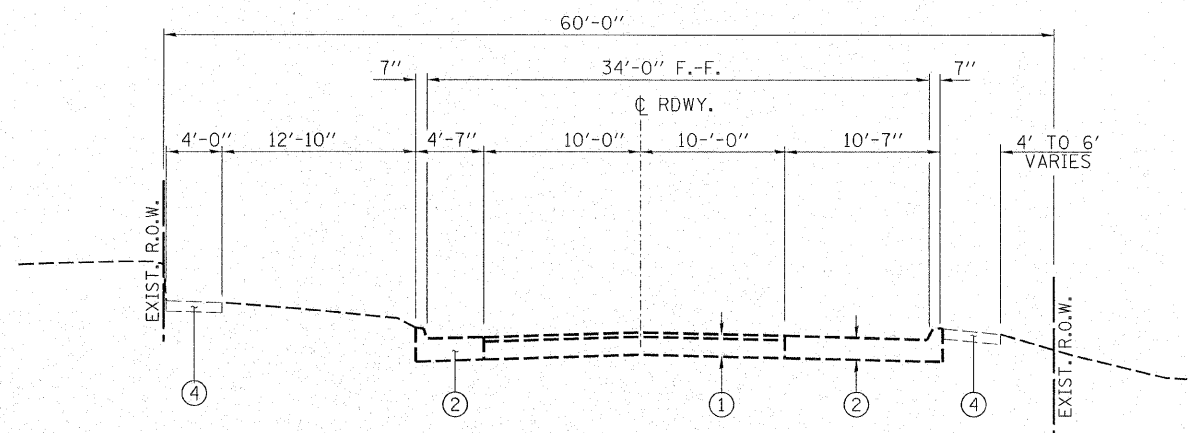
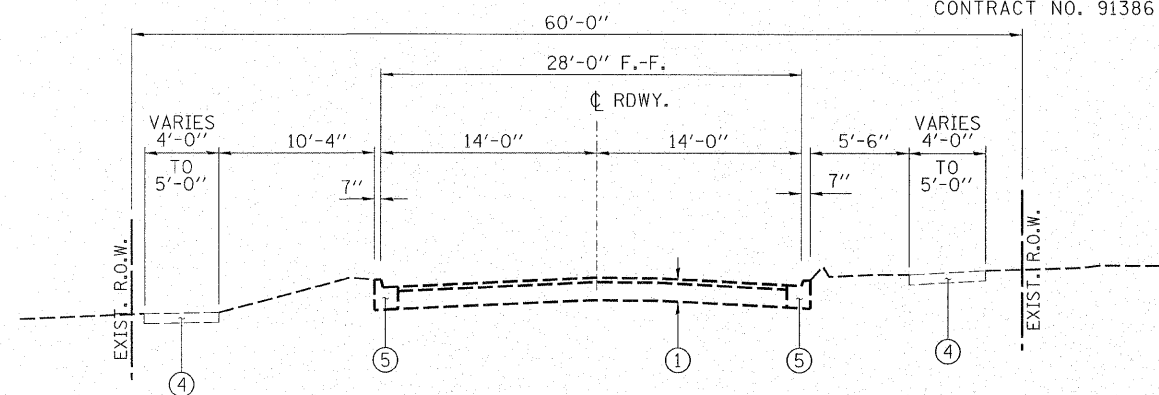


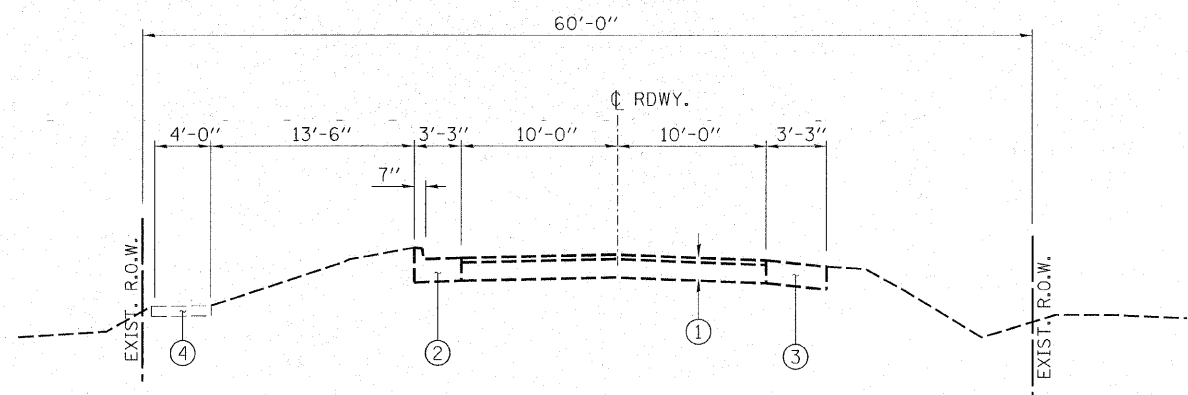
ROUTE NO.	SECTION	COUNTY	TOTAL SHEETS	SHEET NO.
F.A.U. 7059	05-00155-00-RS	VERMILION	97	6
FED. ROAD DIST. NO.		ILLINOIS CONTRACT NO.		
CONTRACT NO. 91386				



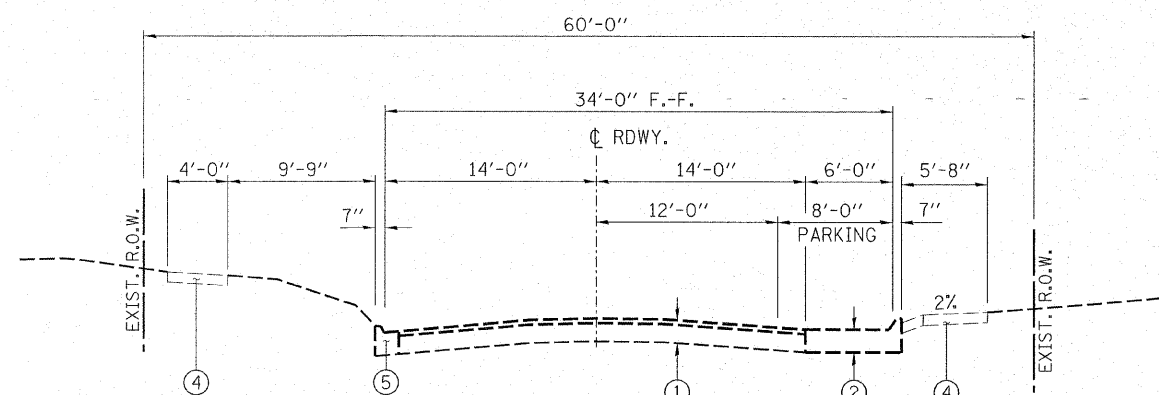
EXISTING TYPICAL SECTION
STA. 14+22.74 TO STA. 16+93.34



EXISTING TYPICAL SECTION
STA. 21+55.00 TO STA. 27+30.00



EXISTING TYPICAL SECTION
STA. 9+01.40 TO STA. 14+22.74



EXISTING TYPICAL SECTION
STA. 16+93.34 TO STA. 21+55.00

- LEGEND**
- 1 EXISTING H.M.A. SURFACE ON PCC PAVEMENT
 - 2 EXISTING CURB & CONCRETE PAVEMENT
 - 3 EXISTING CONCRETE PAVEMENT
 - 4 EXISTING SIDEWALK
 - 5 EXISTING CONCRETE CURB
 - 6 HOT-MIX ASPHALT SURFACE REMOVAL, 2 1/2"
 - 7 COMBINATION CONCRETE CURB AND GUTTER, TYPE B-6.12
 - 8 BITUMINOUS MATERIALS (PRIME COAT)
 - 9 AGGREGATE (PRIME COAT)
 - 10 LEVELING BINDER (MACHINE METHOD), N50 3/4" MIN
 - 11 HOT-MIX ASPHALT BINDER COURSE, IL-19.0, N50 2 1/2"
 - 12 HOT-MIX ASPHALT SURFACE COURSE, MIX "C", N50 1 1/2"
 - 13 SIDEWALK REM & REPL
 - 14 COMBINATION CONCRETE CURB AND GUTTER, TYPE B-6.24
 - 15 SUB-BASE GRANULAR MATERIAL, TYPE A 4"
 - 16 TIE BARS #6 @ 24" CNTS (INCIDENTAL TO CC&G)

PLOT DATE : 3/11/2008 FILE NAME = 93004-shr-tyr.dgn

HAMPTON, LENZINI & RENWICK, INC.
CIVIL & STRUCTURAL ENGINEERS
LAND SURVEYORS

3085 STEVENSON DRIVE, SUITE 201
SPRINGFIELD, ILLINOIS 62703
(217) 546-3400

ELGIN • SPRINGFIELD

PROJECT NUMBER: 03-93-0004-1 DATE: 3/11/08
DESIGNED: CHECKED: DRAWN: WJS

EXISTING TYPICAL SECTIONS
F.A.U. 7059
SECTION 05-00155-00-RS
WEST STREET GEORGETOWN
VERMILION COUNTY