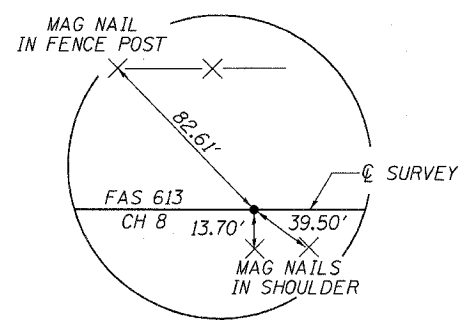
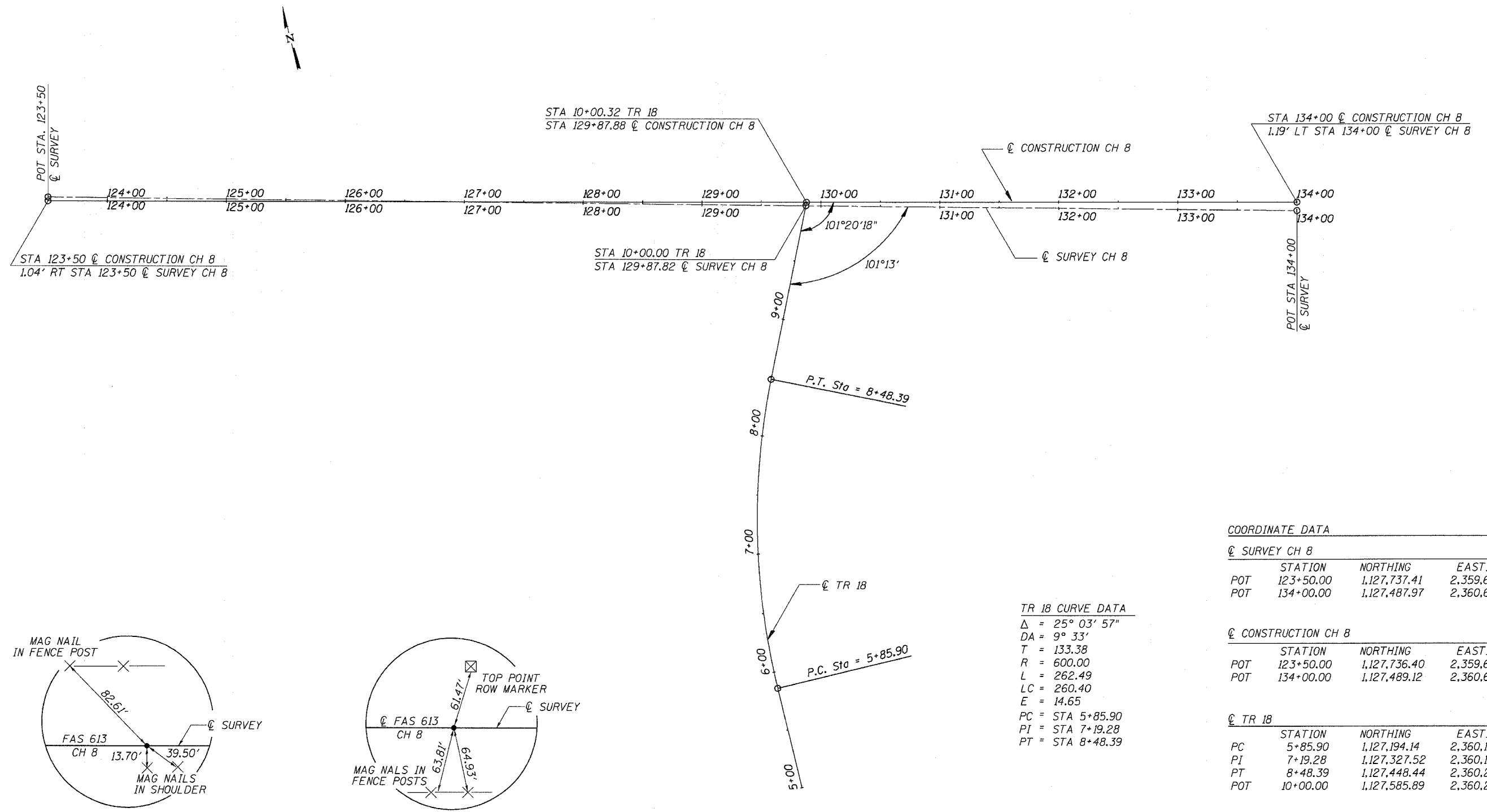
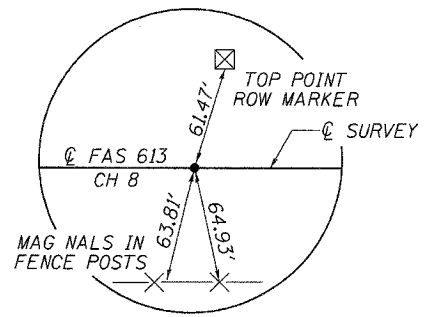


ROUTE NO.	SECTION	COUNTY	TOTAL SHEETS	SHEET
CH 8	07-00092-01-BR	SANGAMON	24	6



POT STA 123+50
MAG NAIL - (SET)



POT STA 134+00
MAG NAIL - (SET)

TR 18 CURVE DATA

Δ	= 25° 03' 57"
DA	= 9° 33'
T	= 133.38
R	= 600.00
L	= 262.49
LC	= 260.40
E	= 14.65
PC	= STA 5+85.90
PI	= STA 7+19.28
PT	= STA 8+48.39

COORDINATE DATA

☉ SURVEY CH 8

STATION	NORTHING	EASTING
POT 123+50.00	1,127,737.41	2,359,668.23
POT 134+00.00	1,127,487.97	2,360,688.17

☉ CONSTRUCTION CH 8

STATION	NORTHING	EASTING
POT 123+50.00	1,127,736.40	2,359,667.98
POT 134+00.00	1,127,489.12	2,360,688.45

☉ TR 18

STATION	NORTHING	EASTING
PC 5+85.90	1,127,194.14	2,360,167.77
PI 7+19.28	1,127,327.52	2,360,167.53
PT 8+48.39	1,127,448.44	2,360,223.81
POT 10+00.00	1,127,585.89	2,360,287.79

ALIGNMENT

FAS 613 (CH 8)
SECTION 07-00092-01-BR
SANGAMON COUNTY

CUMMINS ENGINEERING CORPORATION	JOB #:	2187
	FILE:	2187alln.dgn
	DATE:	2/29/08