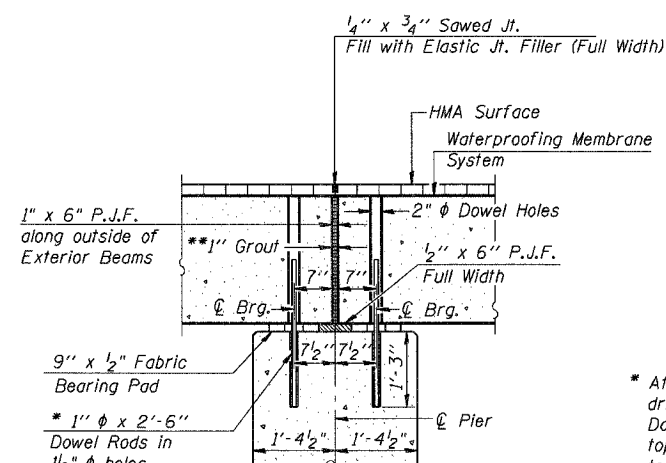
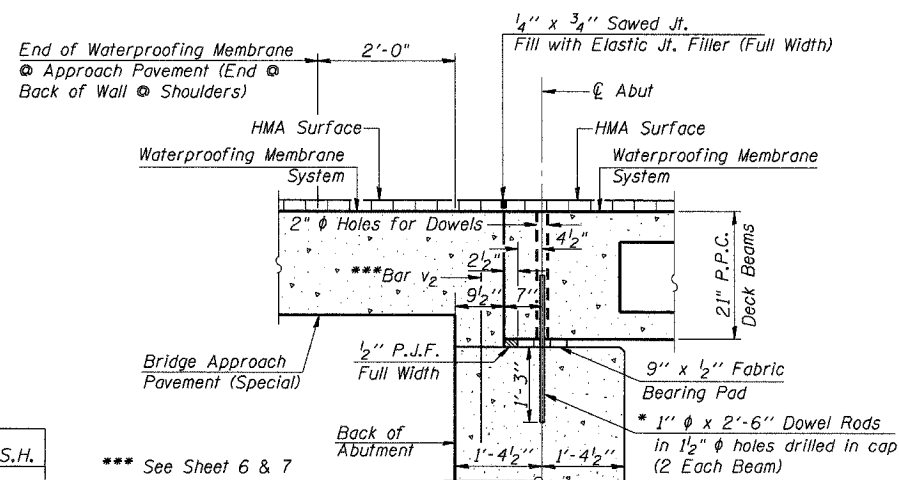
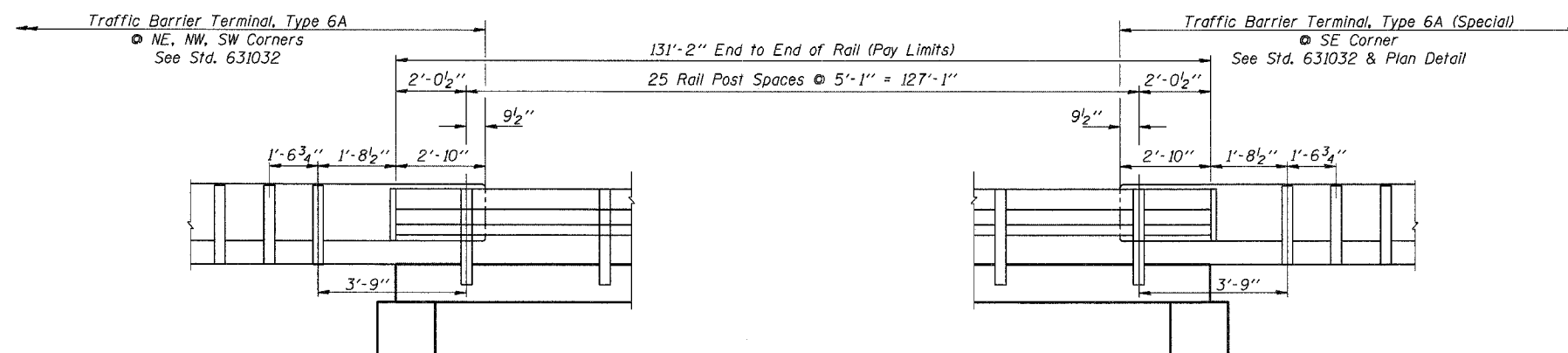
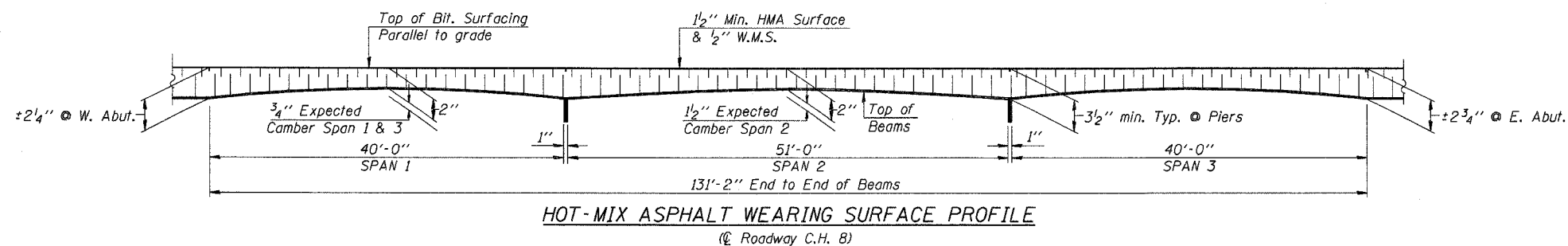


ROUTE NO.	SECTION	COUNTY	TOTAL SHEETS	SHEET NO.
C.H. 8	07-00092-01-BR	SANGAMON	24	15

Sheet 4 of 8



\* After beams have been erected, holes shall be drilled into substructure and anchor dowels placed. Dowel holes shall be filled with non-shrink grout to top of beam and allowed to cure min. 24 hrs. prior to grouting the shear keys.

\*\* 1" dimension may vary plus or minus to accommodate tolerance in beam lengths.

DESIGNED	T.S.H.
CHECKED	A.A.N.
DRAWN	A.J.H.
CHECKED	M.D.C.

\*\*\* See Sheet 6 & 7 of 8 for v<sub>2</sub> bar

**SUPERSTRUCTURE DETAILS**

C.H. 8 OVER SPRING CREEK  
SECTION 07-00092-01-BR  
SANGAMON COUNTY  
STA. 128+68

CUMMINS ENGINEERING CORPORATION

JOB #: 2187  
FILE: 2187SUPDET  
DATE: 2/7/08