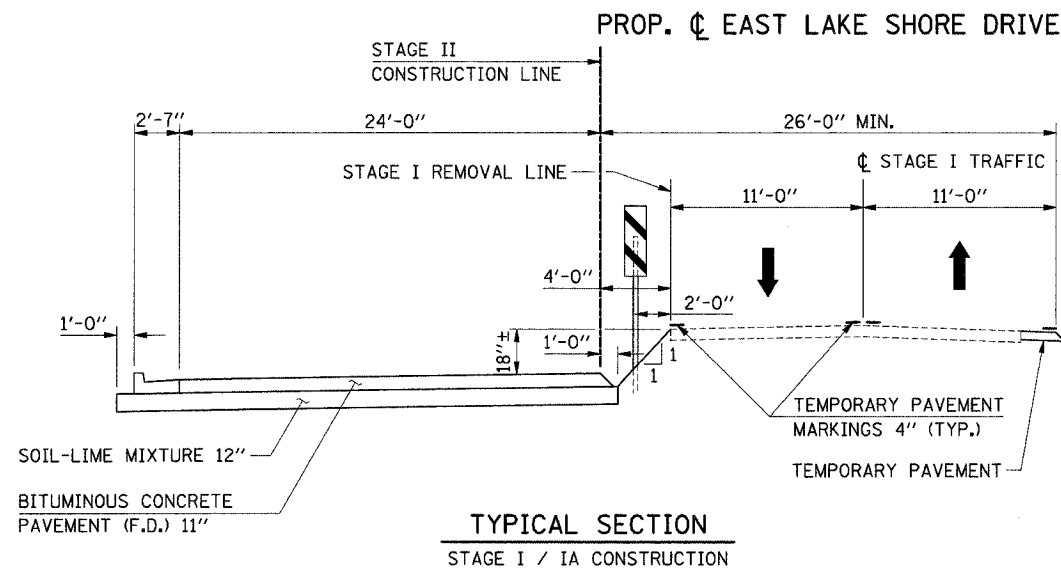
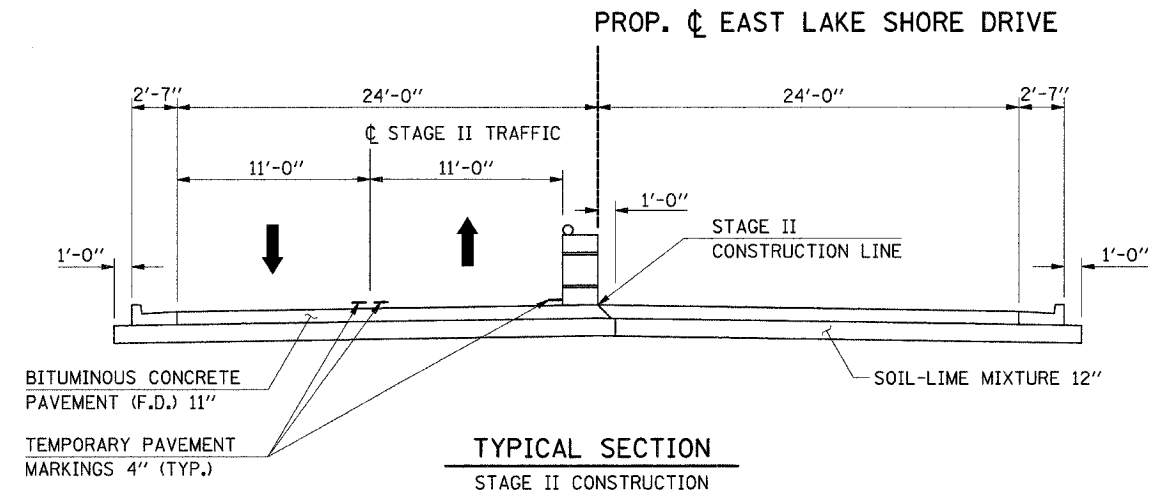
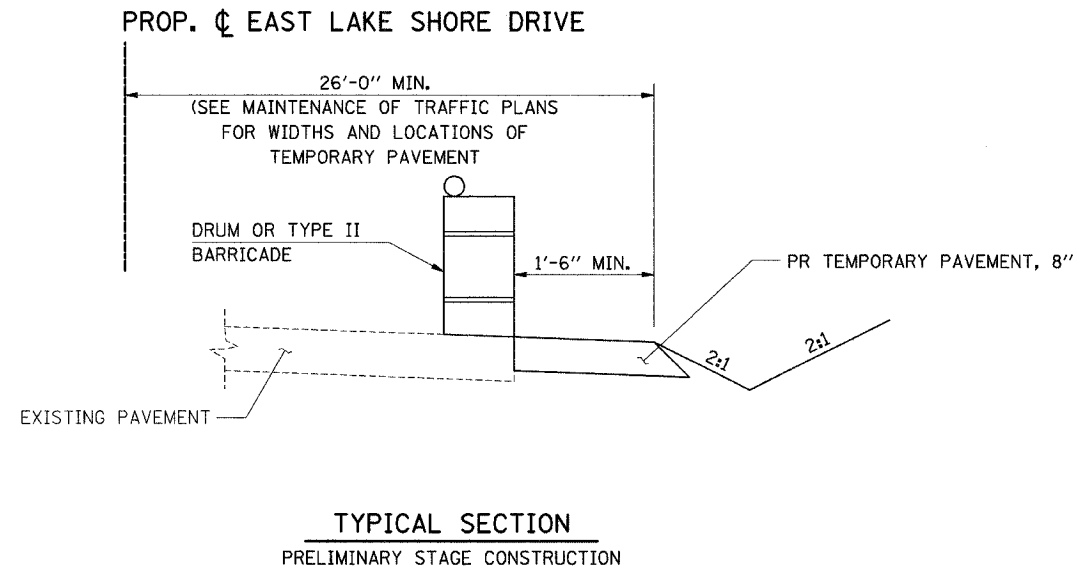


FAU	SECTION	COUNTY	TOTAL SHEETS	SHEET NO.
7998	97-00030-06-WR	SANGAMON	117	50
FED. ROAD DIST. NO.	ILLINOIS	FED. AID PROJECT		



	IE CONSULTANTS, INC. 6420 SOUTH SIXTH STREET SPRINGFIELD, ILLINOIS 62712 TEL: (217) 529-8027 FAX: (217) 529-4543 IESPRINGFIELD@IE-CONSULTANTS.COM WWW.IE-CONSULTANTS.COM			
	MAINTENANCE OF TRAFFIC TYPICAL SECTIONS			
DESIGNED BY:	DRAWN BY:	CHECKED BY:	DATE:	
JEB	AAD	CMS	4/4/08	

4/9/2008