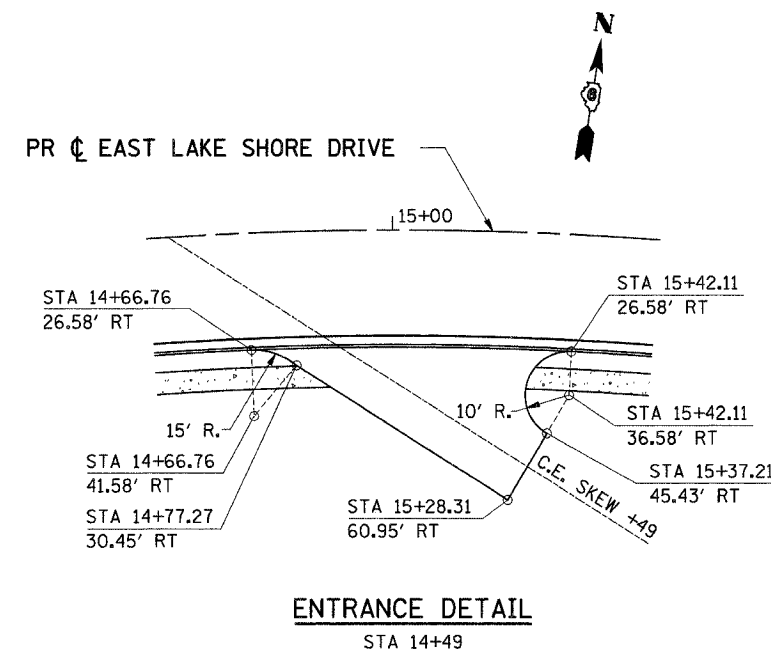
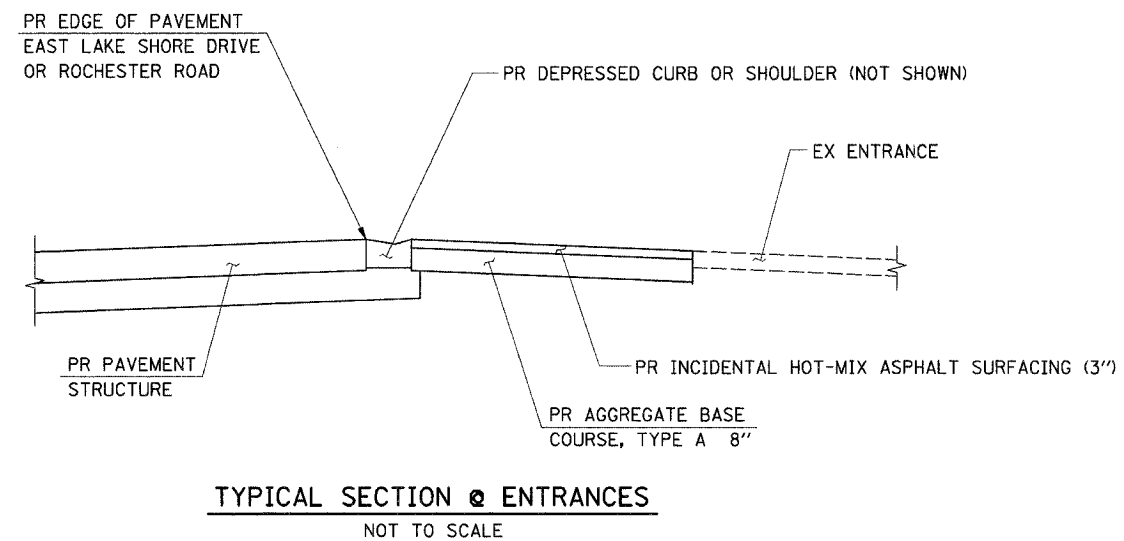
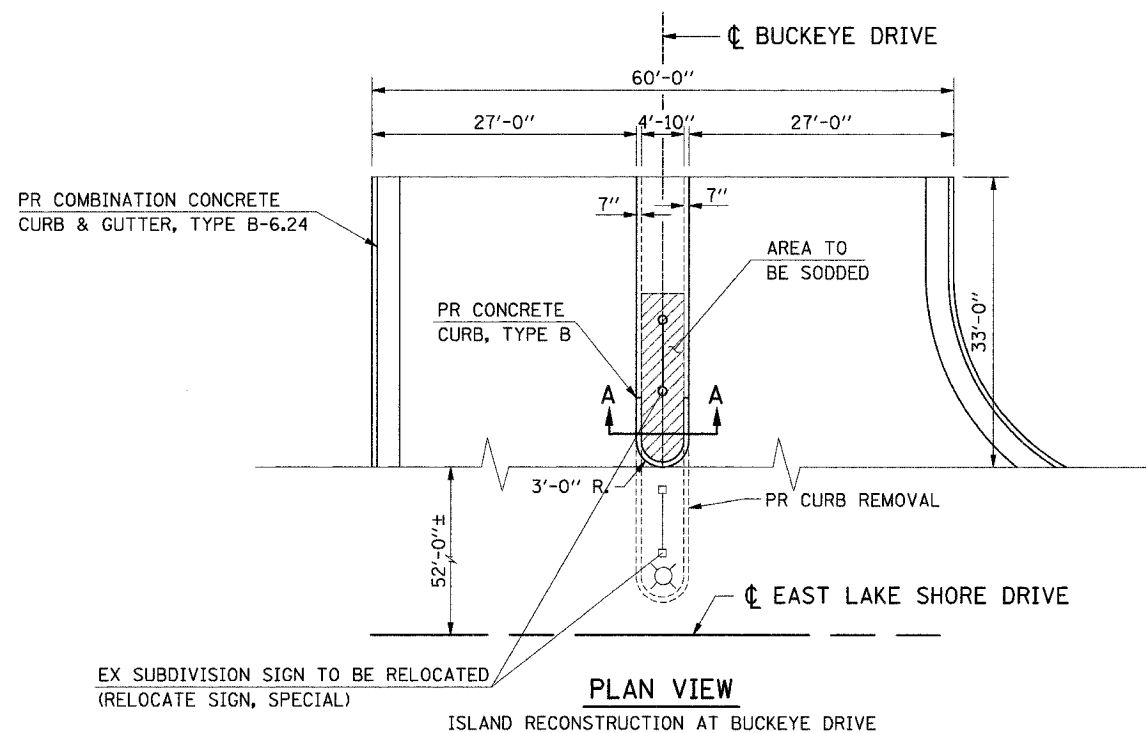
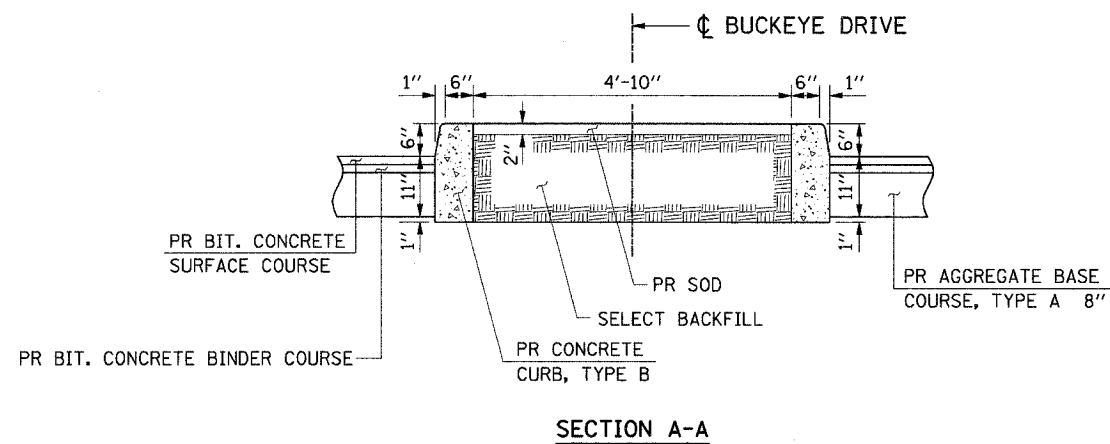


FAU	SECTION	COUNTY	TOTAL SHEETS	SHEET NO.
7998	97-00030-06-WR	SANGAMON	117	85
FED. ROAD DIST. NO.	ILLINOIS	FED. AID PROJECT		



**ie**  
consultants

IE CONSULTANTS, INC.  
6420 SOUTH SIXTH STREET  
SPRINGFIELD, ILLINOIS 62712  
TEL. (217) 529-8027  
FAX (217) 529-4543  
IESPRINGFIELD@IE-CONSULTANTS.COM  
WWW.IE-CONSULTANTS.COM

**SPECIAL DETAILS**

DESIGNED BY:	DRAWN BY:	CHECKED BY:	DATE:
JEB	AAD	CMS	4/4/08

4/9/2008