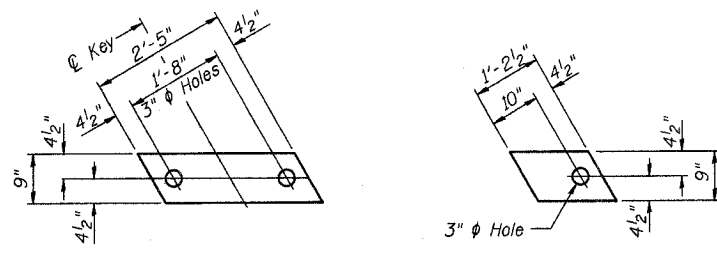
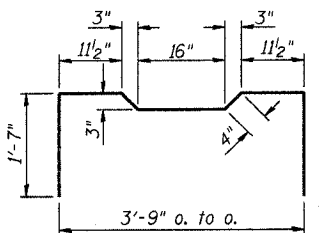


ROUTE	SECTION	COUNTY	TOTAL SHEETS	SHEET NO.
TR 175A	07-03123-00-BR	CRAWFORD	11	8
		ILLINOIS	FEDERAL AID PROJECT	
CONTRACT NO. 95556				

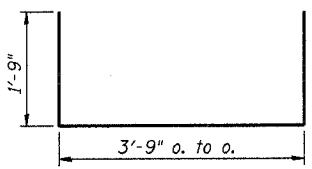


FABRIC BEARING PAD
(Interior)

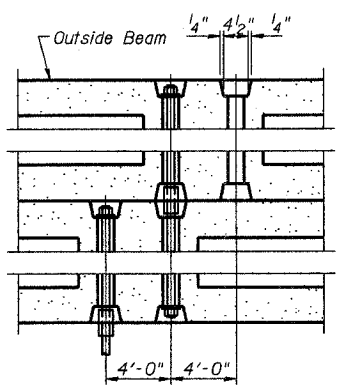
FABRIC BEARING PAD
(Exterior)



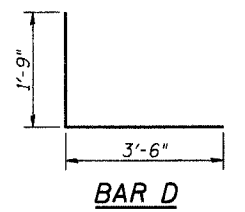
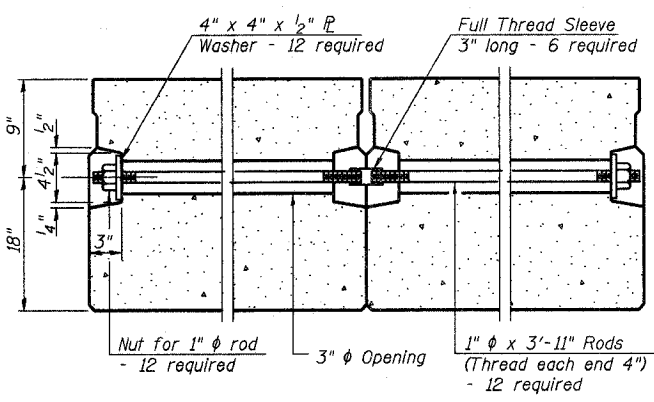
BAR A1



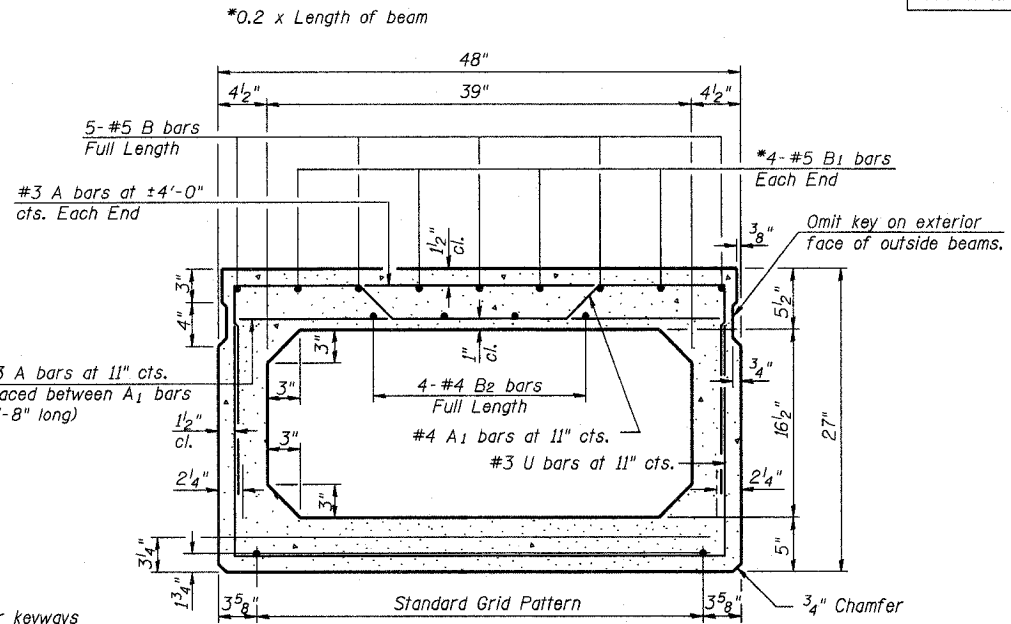
BARS U & U1



TYPICAL TRANSVERSE TIE ASSEMBLY



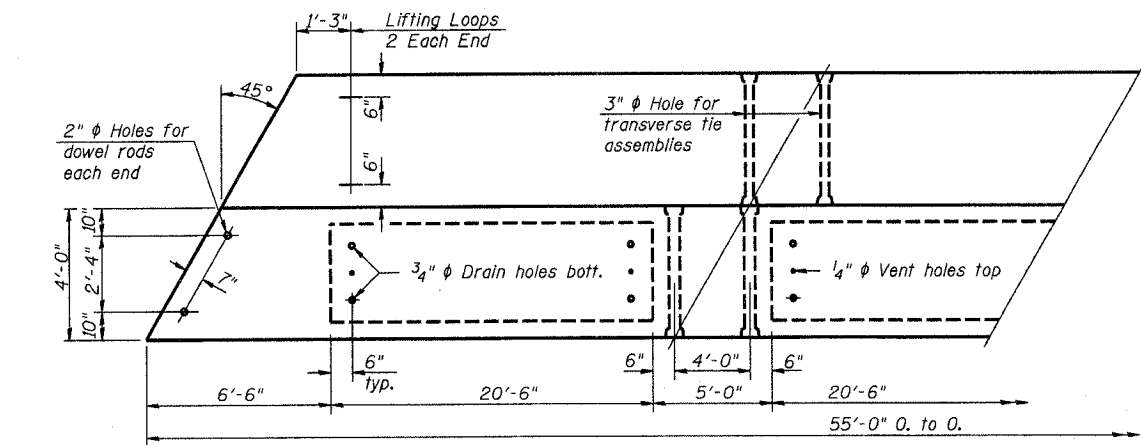
BAR D



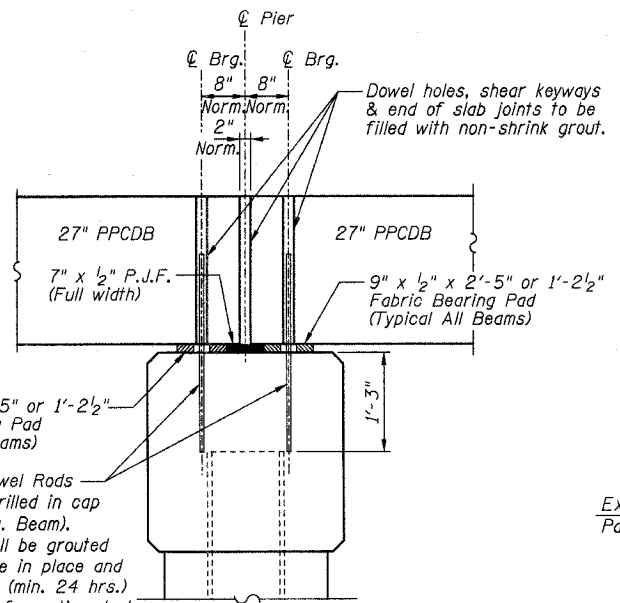
TYPICAL SECTION

16-1/2" ϕ Strands, Each Strand Stressed to 30,900 Lbs.
14-Strands 1 3/4" up, 2-Strands 3/4" up

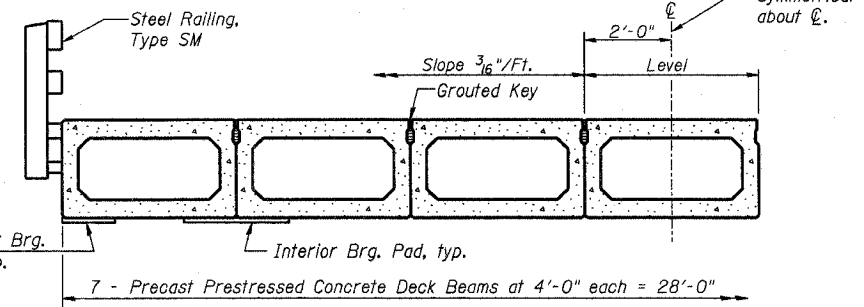
Note:
Place strands symmetrically about ϕ of beam.



PLAN

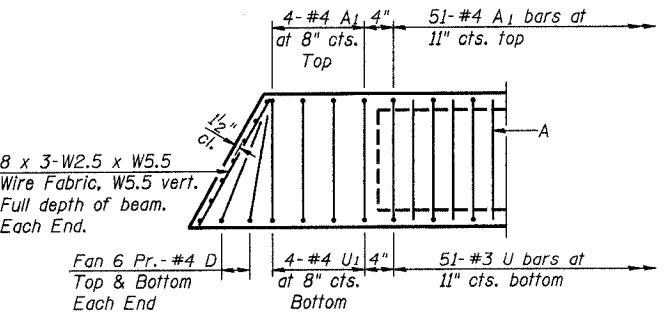


RESTRAINED BEARING PIER

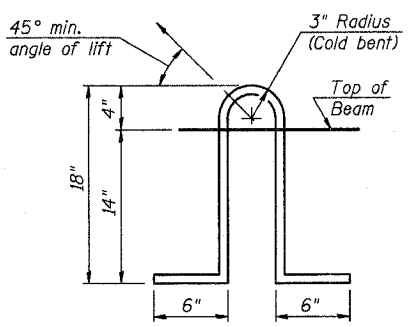


HALF CROSS SECTION

See Sheet 9 for the details showing the spacing and mounting of posts and rails to the PPCDB.



END PLAN



LIFTING LOOP DETAIL

NOTES

- Prestressing steel shall be uncoated high strength, Low-relaxation 7-wire strand, Grade 270.
- Corrosion Inhibitor, as per Article 1020.05(b)(12) of the Standard Specifications, shall be used in the concrete for precast prestressed concrete deck beams.
- The nominal diameter shall be 1/2" and the nominal cross-sectional area shall be 0.153 sq. in.
- Lifting loops shall be 3 - 1/2" ϕ -270 ksi strands, as shown.
- The 1" rods in the transverse tie assembly shall be tightened to a snug fit and the threads set. Pockets that receive transverse tie bar on the outside shall be filled with grout after transverse tie assembly is in place.
- Non prestressing steel shall conform to ASTM A706 (IL Mod), Grade 60.
- The bearing seat surfaces shall be adjusted by shimming to assure firm and even bearing. Two 1/8" fabric adjusting shims of the dimensions of the Exterior Bearing Pad shall be provided for each bearing.
- Keyway surfaces shall be cleaned to remove form oil or other bond breaking material prior to shipment of the beams. Cleaning shall be done by sandblasting the keyway areas between top of the beam and the bottom edge of the key.
- Required Release Strength, f'_{ci} , shall be 4,000 p.s.i.
- Low-relaxation strands are required.

BILL OF MATERIAL ONE DECK BEAM

Precast Prestressed Conc. Deck Bms.	Sq. Ft.	220
-------------------------------------	---------	-----

Consult Precaster for deck beam handling weight.

SPAN 2 OR 3

PRECAST PRESTRESSED CONCRETE DECK BEAM DETAILS
PROPOSED BRIDGE OVER LAMOTTE CREEK
TR 175A
SECTION 07-03123-00-BR
CRAWFORD COUNTY, ILLINOIS

Sheet 8 of 11
Job No. 51107

04/04/2008