

211 N. Broadway
Suite 100
St. Louis, MO 63102
636 441-4188
636 441-4189
FAX 636 441-0268

KAI

LEWIS AND CLARK MEMORIAL TOWER
VILLAGE OF HARTFORD, ILLINOIS
HARTFORD, ILLINOIS 62049

SHEET TITLE:
SITE PLAN

| REV. NO. | DATE | REMARKS |
|----------|---------|---------|
| 1 | 3-3-08 | |
| 2 | 5-30-08 | |

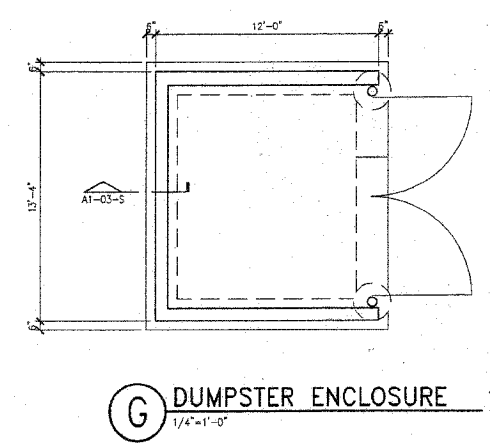
KENNEDY PROJECT NO
KAI# 10-02048

ISSUE DATE
APRIL 11, 2008

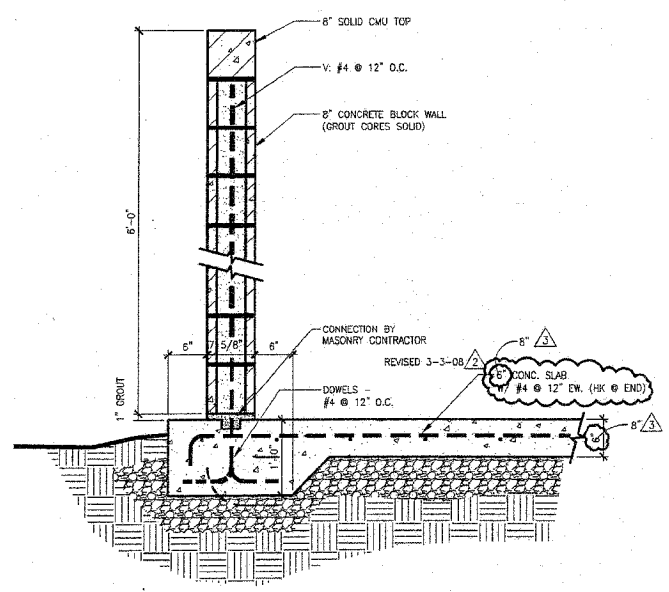
SHEET NO

A1-03

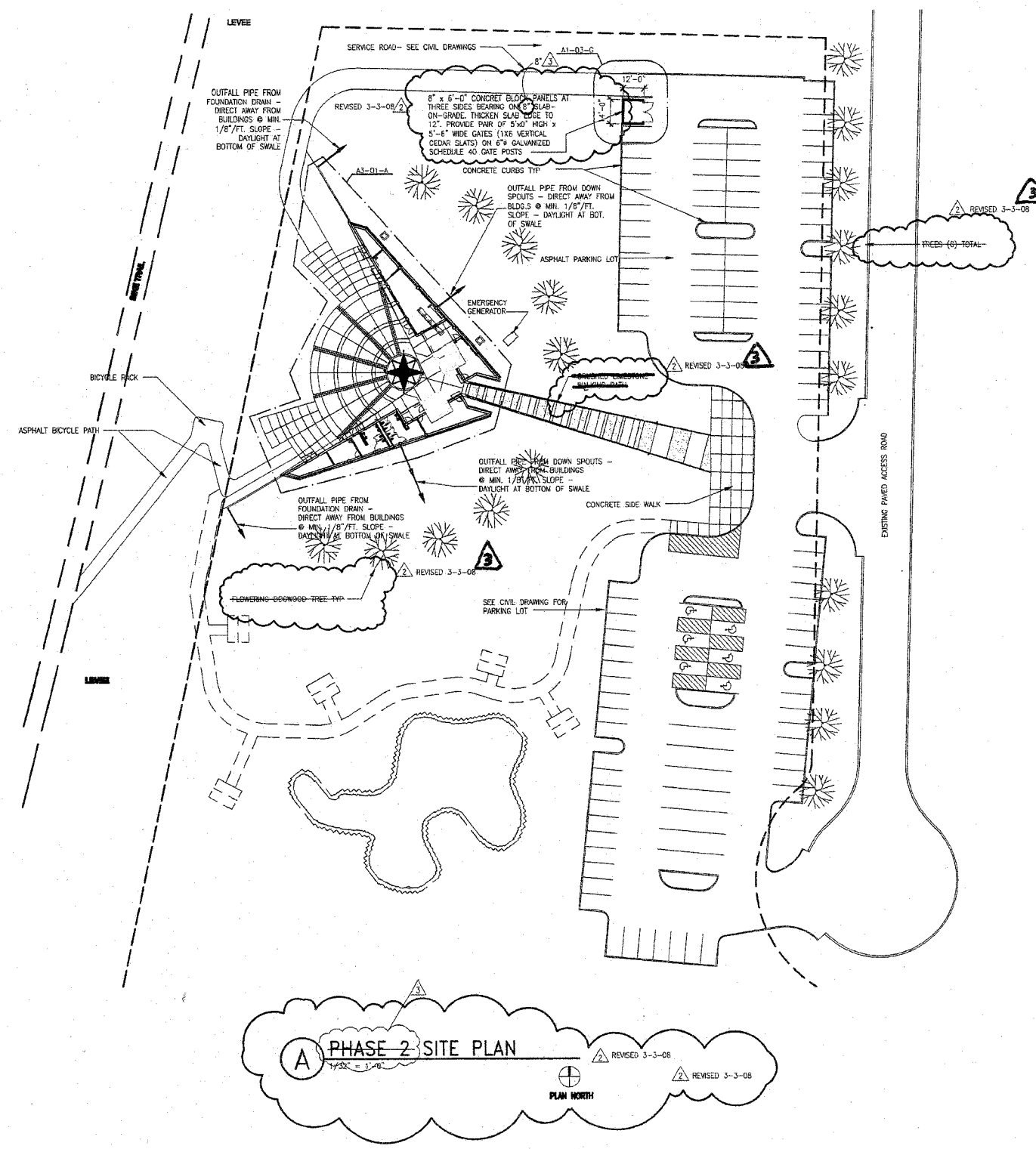
© 2008 KENNEDY ASSOCIATES INCORPORATED



G DUMPSTER ENCLOSURE
1/4"=1'-0"



S DUMPSTER ENCLOSURE
1"=1'-0"



A PHASE 2 SITE PLAN
1/8"=1'-0"

3 REVISED 5/30/08