

211 N. Broadway  
Suite 100  
St. Louis, MO 63102  
636 441-4188  
636 441-4189  
FAX 636 441-0268

**KAI**

**LEWIS AND CLARK MEMORIAL TOWER**  
**VILLAGE OF HARTFORD, ILLINOIS**  
HARTFORD, ILLINOIS 62049

SHEET TITLE:  
SITE PLAN

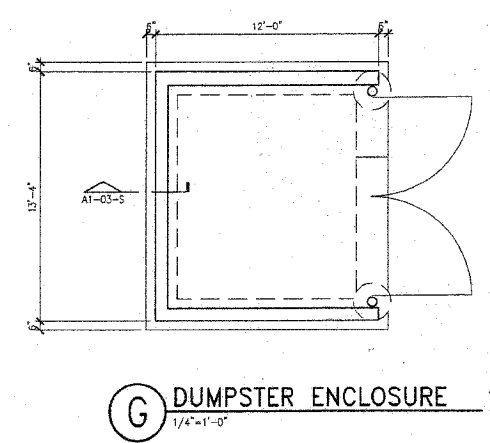
REV. NO.	DATE	REMARKS
1	3-3-08	
2	5-30-08	

KENNEDY PROJECT NO  
KAI# 10-02048

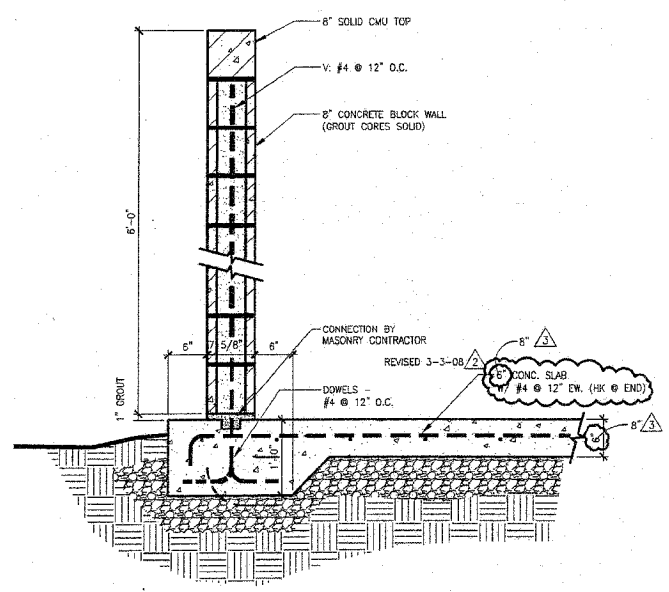
ISSUE DATE  
APRIL 11, 2008

SHEET NO  
**A1-03**

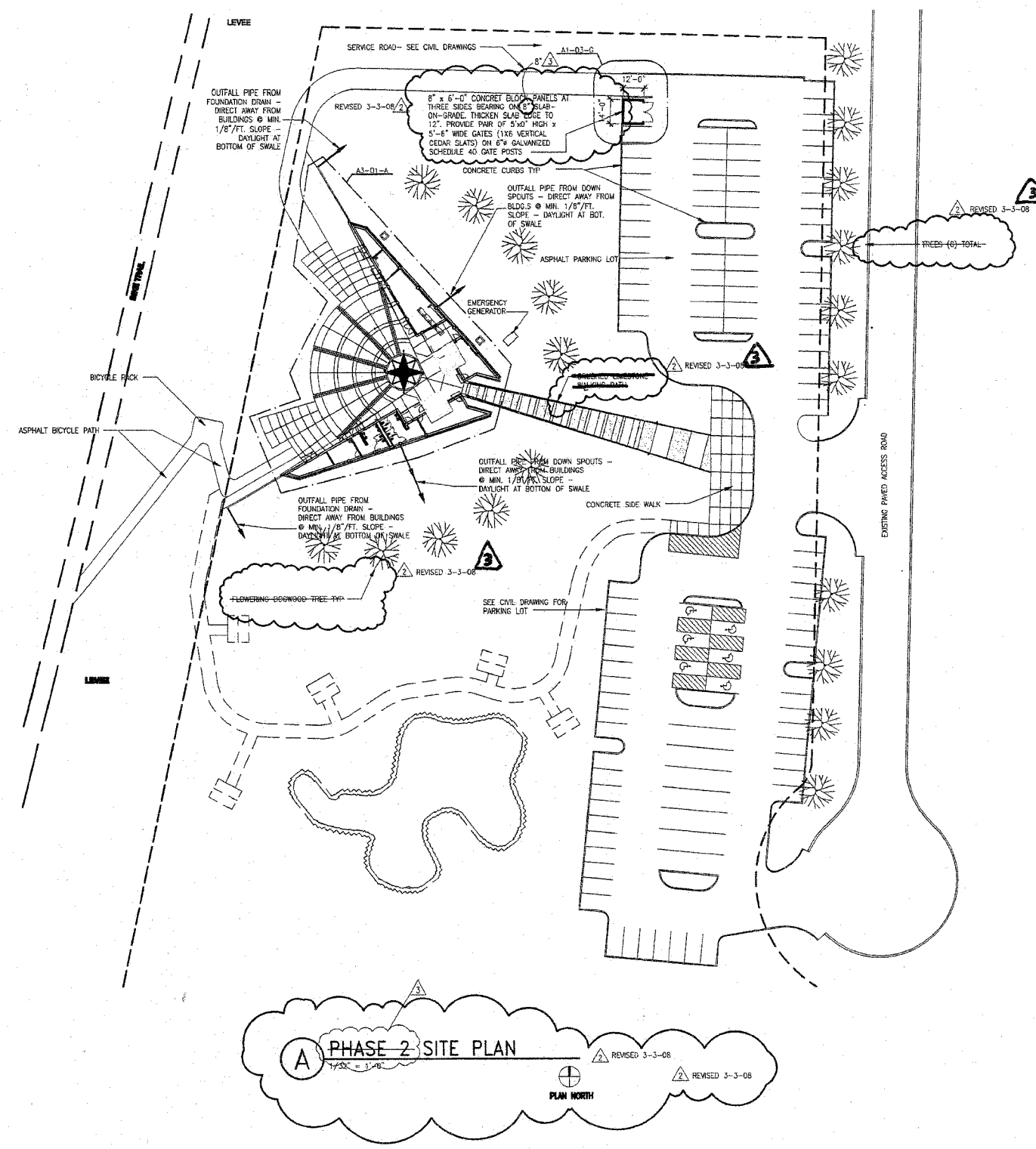
© 2008 KENNEDY ASSOCIATES INCORPORATED



**G DUMPSTER ENCLOSURE**  
1/4"=1'-0"



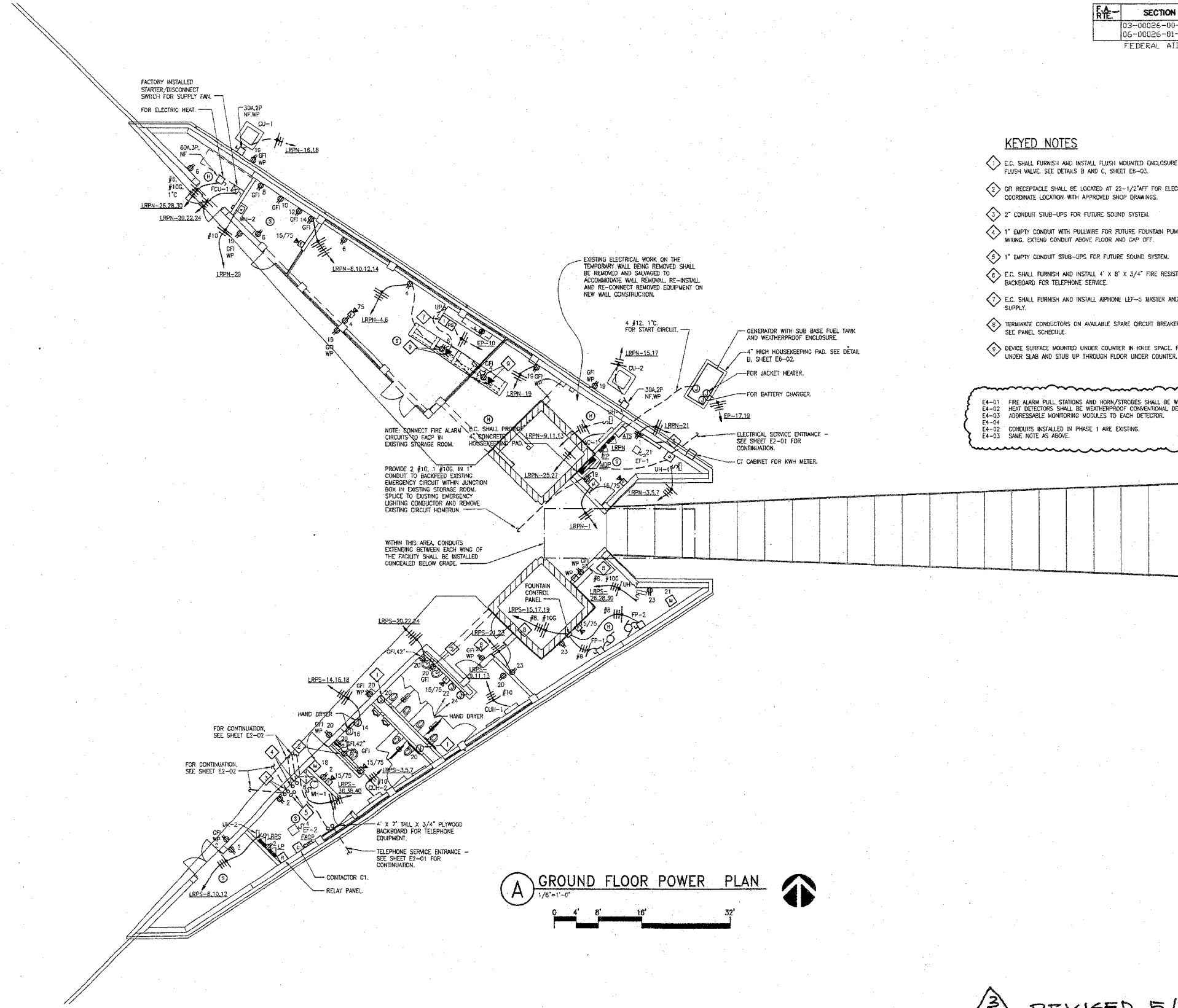
**S DUMPSTER ENCLOSURE**  
1"=1'-0"



**3** REVISED 5/30/08

F.A. RITE	SECTION	COUNTY	TOTAL SHEETS	SHEET NO.
	03-00026-00-PK	MADISON	53	44
	06-00026-01-MS			

FEDERAL AID PROJECT



**KEYED NOTES**

- 1 E.C. SHALL FURNISH AND INSTALL FLUSH MOUNTED ENCLOSURE FOR ELECTRONIC FLUSH VALVE. SEE DETAILS B AND C, SHEET E6-02.
- 2 GFI RECEPTACLE SHALL BE LOCATED AT 22-1/2" AFF FOR ELECTRONIC FAUCETS. COORDINATE LOCATION WITH APPROVED SHOP DRAWINGS.
- 3 2" CONDUIT STUB-UPS FOR FUTURE SOUND SYSTEM.
- 4 1" EMPTY CONDUIT WITH PULLWIRE FOR FUTURE FOUNTAIN PUMP POWER SUPPLY WIRING. EXTEND CONDUIT ABOVE FLOOR AND CAP OFF.
- 5 1" EMPTY CONDUIT STUB-UPS FOR FUTURE SOUND SYSTEM.
- 6 E.C. SHALL FURNISH AND INSTALL 4' x 8' x 3/4" FIRE RESISTANT PLYWOOD BACKBOARD FOR TELEPHONE SERVICE.
- 7 E.C. SHALL FURNISH AND INSTALL AIRPHONE LET-5 MASTER AND ASSOCIATED POWER SUPPLY.
- 8 TERMINATE CONDUCTORS ON AVAILABLE SPARE CIRCUIT BREAKER IN PANEL LRPS. SEE PANEL SCHEDULE.
- 9 DEVICE SURFACE MOUNTED UNDER COUNTER IN KNOE SPACE. ROUTE CONDUITS UNDER SLAB AND STUB UP THROUGH FLOOR UNDER COUNTER.

REVIS 3-3-08

E4-01 FIRE ALARM PULL STATIONS AND HORN/STROBES SHALL BE WEATHERPROOF.  
E4-02 HEAT DETECTORS SHALL BE WEATHERPROOF CONVENTIONAL DETECTORS WITH ADDRESSABLE MONITORING MODULES TO EACH DETECTOR.  
E4-04  
E4-02 CONDUITS INSTALLED IN PHASE 1 ARE EXISTING.  
E4-03 SAME NOTE AS ABOVE.

**A GROUND FLOOR POWER PLAN**  
1/8"=1'-0"

811 N. Broadway  
Suite 200  
St. Louis, MO 63102  
(314) 341-0100  
FAX: (314) 341-0200

**KAI**

**LEWIS AND CLARK MEMORIAL TOWER  
VILLAGE OF HARTFORD, ILLINOIS  
HARTFORD, ILLINOIS 62049**

SHEET TITLE:  
**GROUND FLOOR  
POWER PLAN**

DATE	REVISIONS
3-3-08	
5-30-08	

KENNEDY PROJECT NO  
**KAI# 10-02048**

ISSUE DATE  
**APRIL 11, 2008**

SHEET NO  
**E4-01**

© 2008 KENNEDY ASSOCIATES INCORPORATED

**3 REVISED 5/30/08**