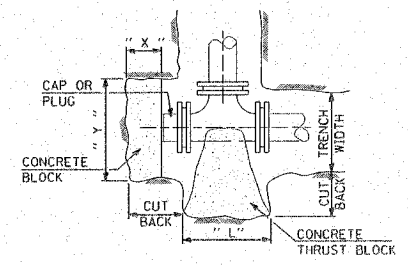
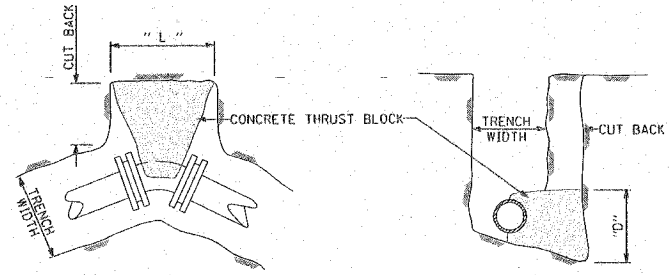


F.A. RTE.	SECTION	COUNTY	TOTAL SHEETS	SHEET NO.
	03-00026-00-PK 06-00026-01-MS	MADISON	53	4

THRUST BLOCKING SCHEDULE						
PIPE SIZE	BENDS				TEES	
	1/4 OR 90°	1/2 OR 45°	1/4 OR 22 1/2°	1/2 OR 11 1/4°	CAP/PLUG	THRUST BLOCK
6"	2.00	1.20			1.50	1.50
8"	3.60	2.10	1.60		2.70	2.70
10"	5.60	3.20	2.60	2.10	4.30	4.30
12"	8.00	4.80	3.70	3.10	6.20	6.20
14"	11.00	7.30	5.00	4.20	8.40	8.40
18"	18.20	12.00	8.40	6.90	13.80	13.80

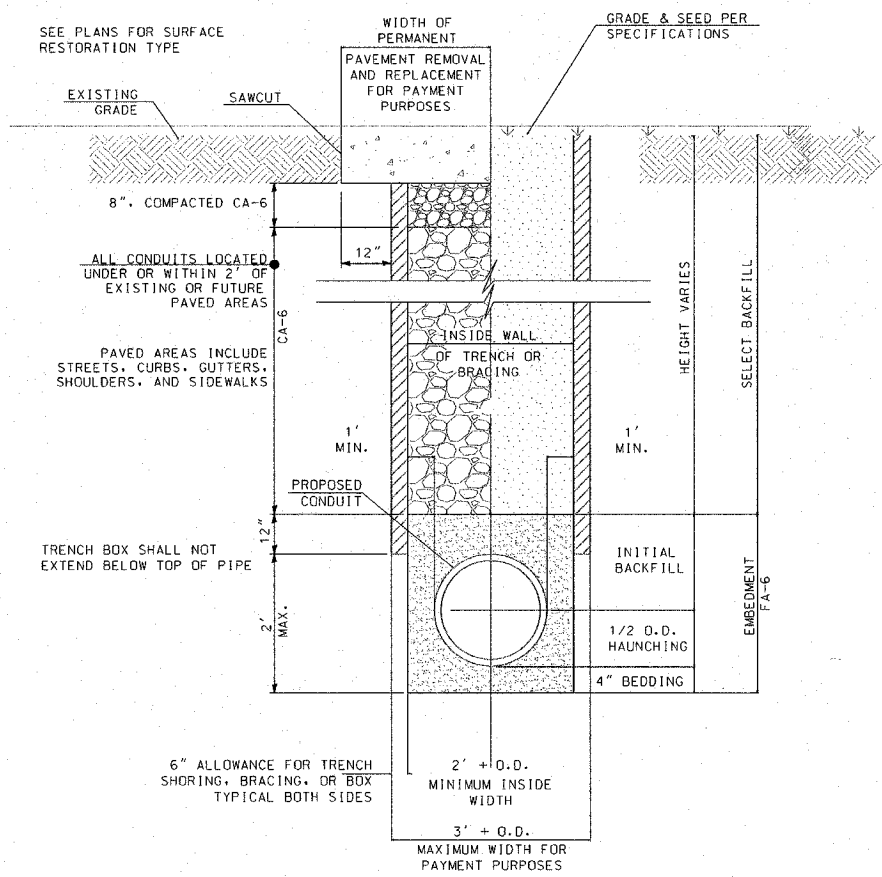


PLAN OF TEES & PLUGS
 Y = SQ. FT. OF THRUST BLOCK AREA
 X = 1/3 x Y OR 8" WHICHEVER IS LARGER



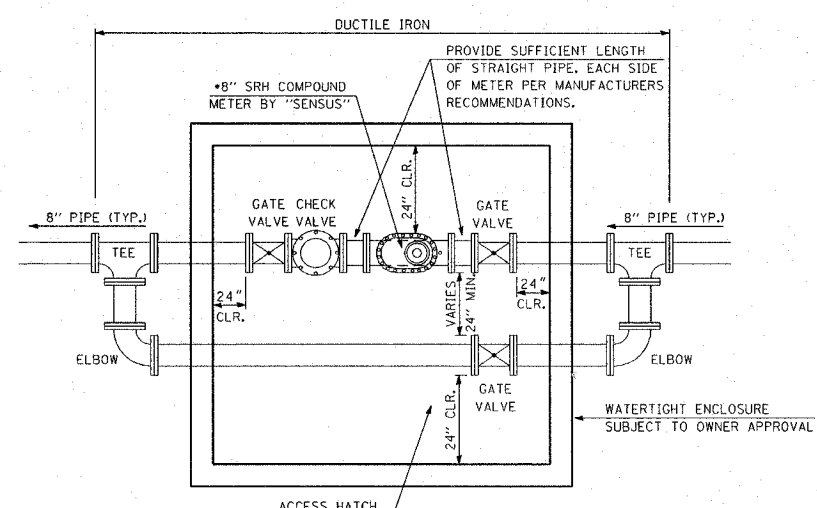
PLAN OF BENDS

SECTION
 NOTE: THRUST BLOCKING AREA = L x D



TRENCH DETAIL

NOT TO SCALE
 FOR OPEN-CUT INSTALLATION (IF NECESSARY)



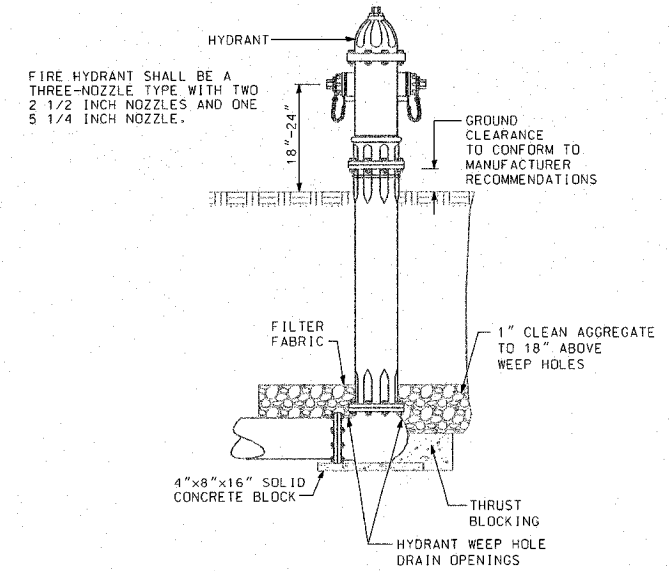
METER READING METHOD SHALL BE COORDINATED WITH VILLAGE OF HARTFORD

ALL PIPE & FITTINGS SHALL BE DUCTILE IRON, (FLANGED IN METER PIT, OTHERS MECHANICAL, AS SHOWN)

PROVIDE FULL OPENING, ALUMINUM LOCKABLE ACCESS HATCH, SIZED TO PROVIDE FULL LIFTING ACCESS TO ALL INTERNAL COMPONENTS.

DETAIL OF WATER METER

NOT TO SCALE



FIRE HYDRANT DETAIL

NOT TO SCALE

POTABLE WATER SYSTEM NOTES AND SPECIFICATIONS (UNLESS OTHERWISE NOTED ELSEWHERE)

1. WATER MAIN PIPE SHALL BE HDPE, SDR-11, 160 PSI MEETING THE REQUIREMENTS OF AWWA C906, PE3408, WITH JOINTS MEETING THE REQUIREMENTS OF ASTM D2657, (OR EQUIVALENT MATERIALS AND METHODS IN COMPLIANCE WITH THE APPLICABLE ASTM STANDARDS)
2. WATER MAIN PIPE SHALL HAVE A MINIMUM COVER OF 42" FROM THE FINISHED GRADE TO THE TOP OF PIPE.
3. GATE VALVES SHALL BE CONSTRUCTED OF DUCTILE IRON WITH MECHANICAL JOINT OUTLETS AND A RESILIENT SEAT WEDGE SHUT OFF DESIGN.
4. VALVE BOX AND COVER SHALL BE CONSTRUCTED OF CAST IRON. THE VALVE BOX LID SHALL BE STAMPED "WATER".
5. FIRE HYDRANTS SHALL BE MUELLER SUPER CENTURION 200/MODEL A-423 OR EQUIVALENT WITH 5 1/4" MAIN VALVE OPENING, 4 FOOT BURY, 3 WAY OUTLET DESIGN WITH A 6" MECHANICAL JOINT SHOE OUTLET, WITH A RETAINER GLAND ON THE MECHANICAL JOINT OUTLET.
6. ALL FITTINGS (BENDS, TEES, CROSSES, ETC.) SHALL BE CONSTRUCTED OF DUCTILE IRON WITH MECHANICAL JOINT OUTLETS. CONVENTIONAL RETAINING GLANDS ARE ACCEPTED.
7. TRACER WIRE SHALL BE NO. 12 GAUGE RUBBER COATED INSULATED SOLID COPPER WIRE WITH A THREE (3) FOOT LONG COIL AT EACH END.
8. CROSSINGS OF WATER MAINS SHALL BE CONSTRUCTED ACCORDING TO SECTION 41-2.01 OF THE STANDARD SPECIFICATIONS FOR WATER AND SEWER MAIN CONSTRUCTION IN ILLINOIS.
9. THRUST BLOCKING SHALL BE CONSTRUCTED ACCORDING TO SECTION 41-2.09 OF THE STANDARD SPECIFICATIONS FOR WATER AND SEWER MAIN CONSTRUCTION IN ILLINOIS.
10. CHLORINE SHALL BE USED FOR DISINFECTION ACCORDING TO SECTION 41-2.14B OF THE STANDARD SPECIFICATIONS FOR WATER AND SEWER MAIN CONSTRUCTION IN ILLINOIS.
11. HYDROSTATIC TESTING OF ALL NEW WATER MAINS SHALL BE PERFORMED ACCORDING TO SECTION 41-2.13 OF THE STANDARD SPECIFICATIONS FOR WATER AND SEWER MAIN CONSTRUCTION IN ILLINOIS. THE CONTRACTOR IS REQUIRED TO PROVIDE ALL MATERIALS AND MANPOWER NECESSARY FOR TESTING. THE CONTRACTOR SHALL NOTIFY THE VILLAGE OF HARTFORD PUBLIC WORKS DEPARTMENT WHEN THE TESTING TAKES PLACE SO THAT A VILLAGE REPRESENTATIVE CAN BE PRESENT.
12. BACTERIOLOGICAL WATER SAMPLING OF ALL NEW WATER MAINS SHALL BE PERFORMED BY THE CONTRACTOR IN COOPERATION WITH THE HARTFORD PUBLIC WORKS DEPARTMENT.
13. THE HARTFORD PUBLIC WORKS DEPARTMENT SHALL BE RESPONSIBLE FOR TURNING ON THE NEW WATER MAIN EXTENSION AND IT SHALL NOT BE CONSIDERED COMPLETE UNTIL ACCEPTED IN WRITING BY THE VILLAGE OF HARTFORD.

211 North Broadway
 Suite 1900
 St. Louis, Missouri 63102
 (314) 541-0125
 FAX (314) 541-0125



LEWIS AND CLARK
 MEMORIAL TOWER
 HARTFORD, ILLINOIS 62048

SHEET TITLE:
 WATER MAIN DETAILS

REV. NO.	DATE	REMARKS

KENNEDY PROJECT NO
 10-02048

ISSUE DATE

SHEET NO.

C-03