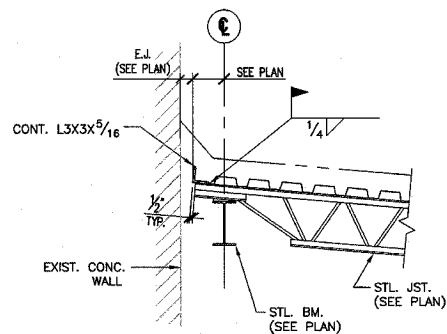


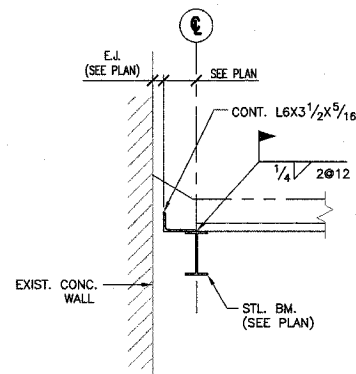
3.2A 3/4"=1'-0"

3.2B (NOT USED)

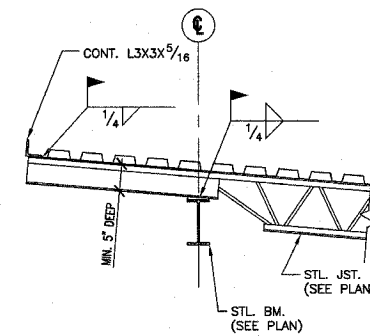


3.2C 3/4"=1'-0"

3.2E (NOT USED)



3.2D 3/4"=1'-0"



3.2F 3/4"=1'-0"

These drawings are the property of SSE Inc. They are furnished as contract documents only. Their use for reproductions for shop drawings is permitted, except for use as anchor setting plans, if approved by the Engineer, but at the users risk. The user shall remove all seals, firm names, titles, and sheet numbers, and shall assume full responsibility for their accuracy, completeness and status.

The seal(s) and signature(s) apply only to the document to which they are affixed, and expressly disclaim any responsibility for all other plans, specifications, estimates, reports or other documents or instruments relating to or intended to be used for any part or parts of the architectural or engineering project.

SSE PROJECT NO: 02111

REV. NO.	
REMARKS	
DATE	
KENNEDY PROJECT NO KAI# 10-02048	
ISSUE DATE 11-APRIL-08	
SHEET NO S3.2	

SHEET TITLE:
SECTIONS & DETAILS

LEWIS AND CLARK MEMORIAL TOWER
VILLAGE OF HARTFORD, ILLINOIS
HARTFORD, ILLINOIS 62049

KAI
211 N. Broadway
Suits 1900
St. Louis, MO 63102
(314) 241-8186
FAX (314) 241-0125