

F.A. RTE.	SECTION	COUNTY	TOTAL SHEETS	SHEET NO.
	03-00026-00-PK 06-00026-01-MS	MADISON	53	31

211 N. Broadway
Suite 1800
St. Louis, MO 63102
(314) 241-9188
FAX (314) 241-0125

KAI

LEWIS AND CLARK MEMORIAL TOWER
VILLAGE OF HARTFORD, ILLINOIS
HARTFORD, ILLINOIS 62049

SHEET TITLE:
DETAILS

REV. NO.	DATE	REMARKS
1	11/9/06	DOT REV.

KENNEDY PROJECT NO
KAI# 10-02048

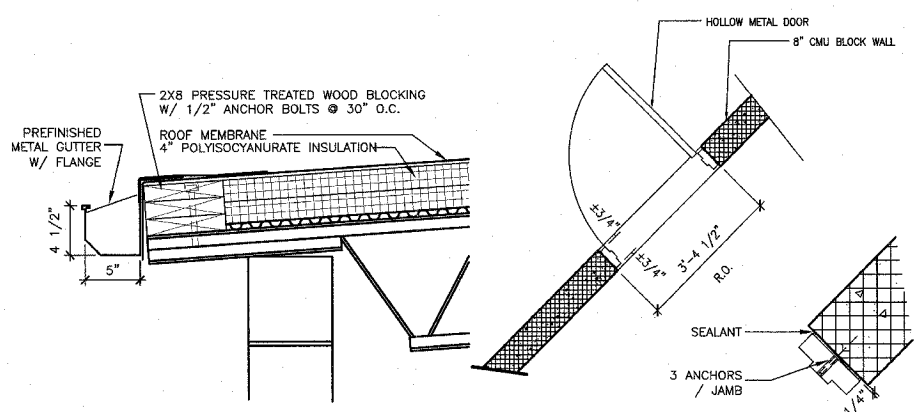
ISSUE DATE
APRIL 11, 2008

SHEET NO

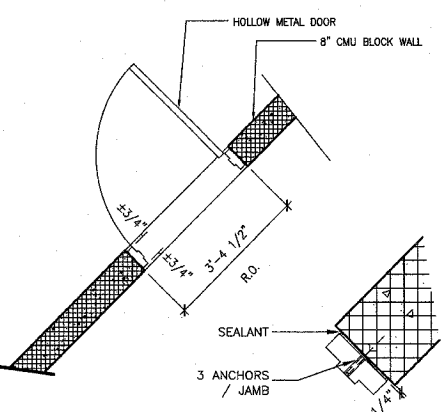
A5-01

© 2008 KENNEDY ASSOCIATES INCORPORATED

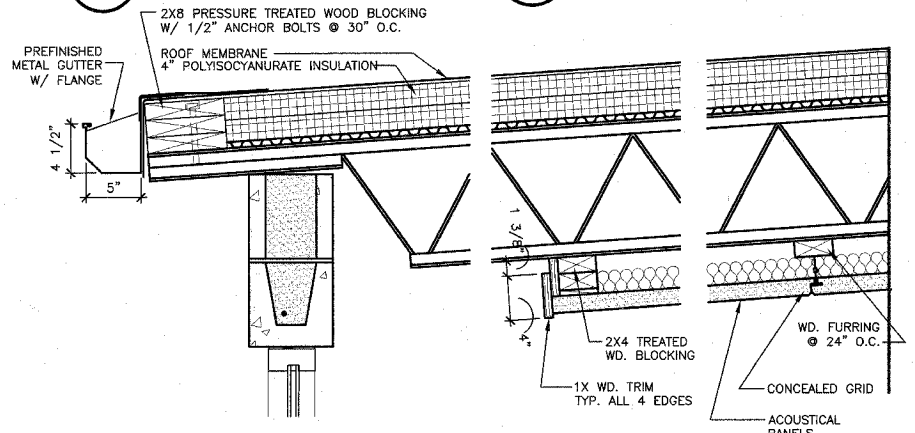
SEE STRUCTURAL DRAWINGS FOR ADDITIONAL DETAILS



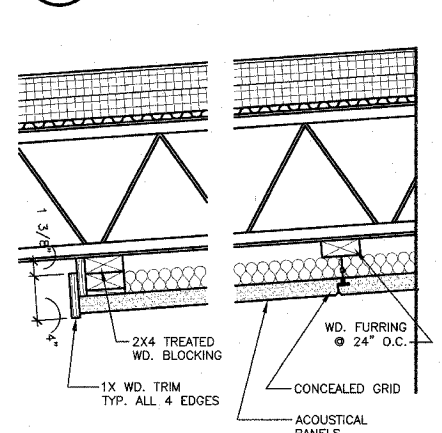
A ROOF EDGE
1-1/2"=1'-0"



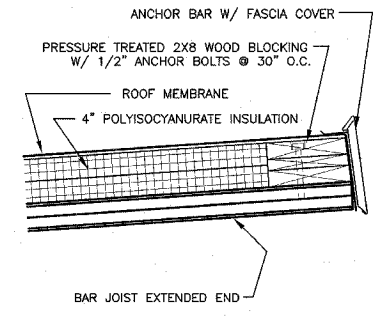
B DOOR DETAIL
1/2"=1'-0"



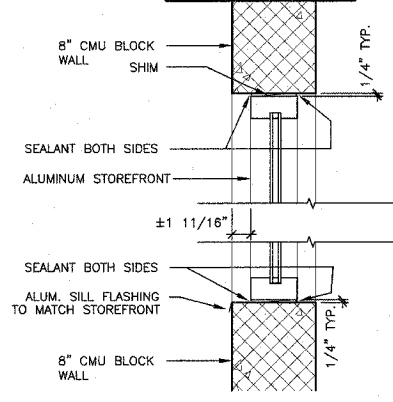
F ROOF EDGE
1-1/2"=1'-0"



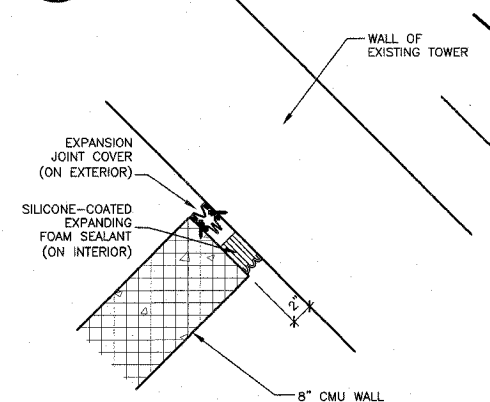
G ACOUSTICAL CEILING
1-1/2"=1'-0"



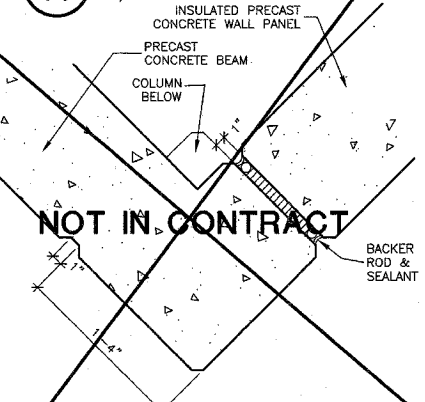
H ROOF EDGE
1-1/2"=1'-0"



J WINDOW DETAIL
1-1/2"=1'-0"

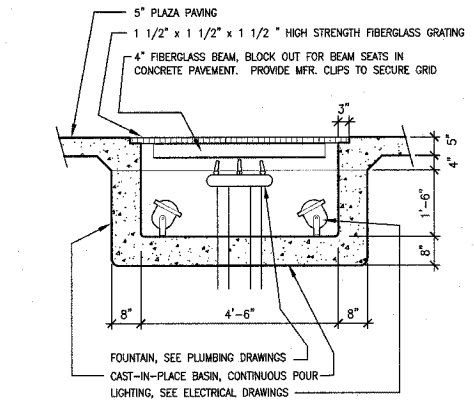


K EXPANSION JOINT
1-1/2"=1'-0"

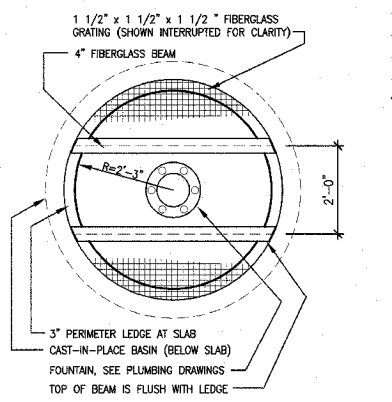


X LOUVER DETAIL
1-1/2"=1'-0"

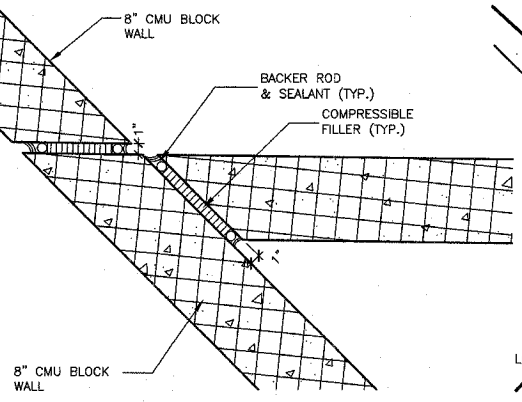
Y PLAN DETAIL
1-1/2"=1'-0"



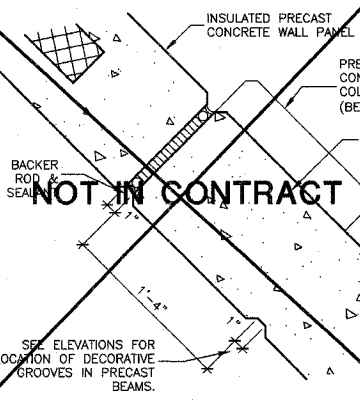
L FOUNTAIN SECTION
1/2"=1'-0"



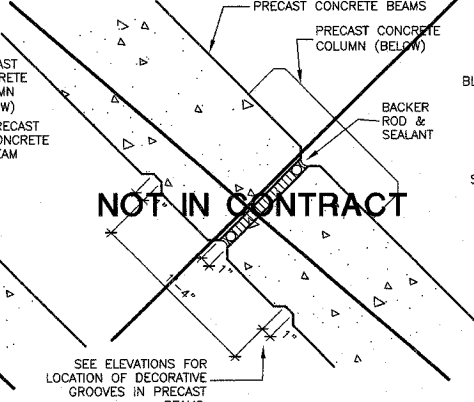
M FOUNTAIN PLAN
1/2"=1'-0"



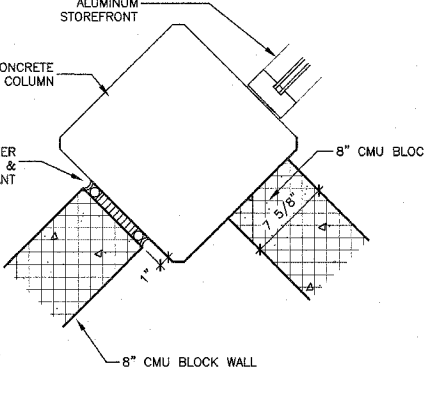
N PLAN DETAIL
1-1/2"=1'-0"



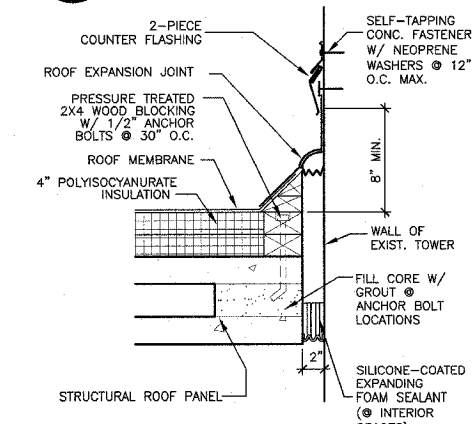
P PLAN DETAIL
1-1/2"=1'-0"



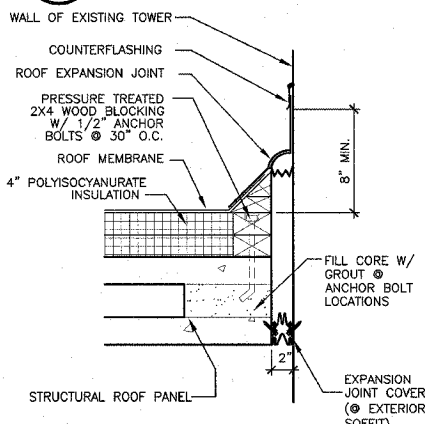
Q PLAN DETAIL
1-1/2"=1'-0"



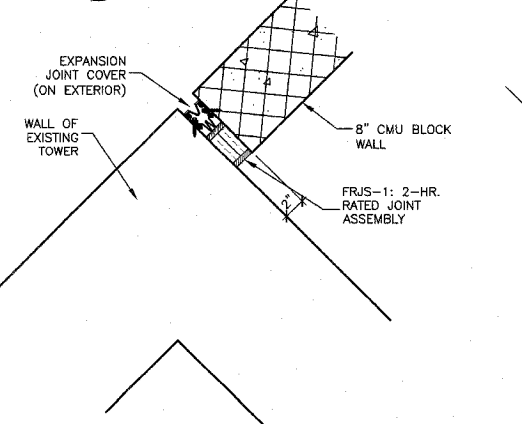
Z PLAN DETAIL
1-1/2"=1'-0"



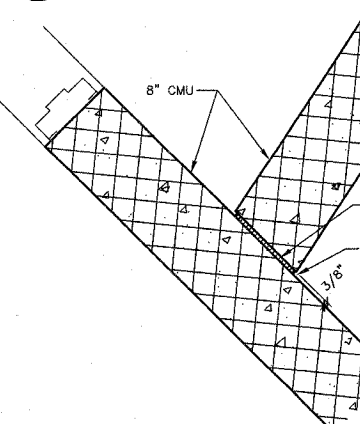
R EXPANSION JOINT
1-1/2"=1'-0"



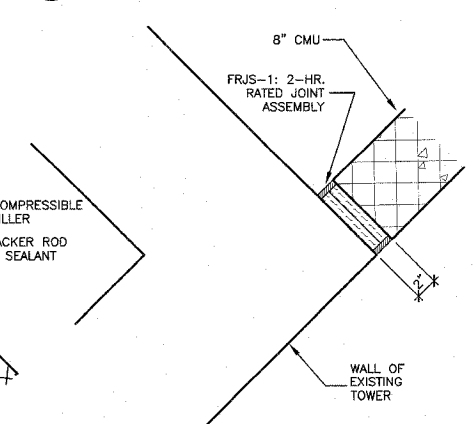
S EXPANSION JOINT
1-1/2"=1'-0"



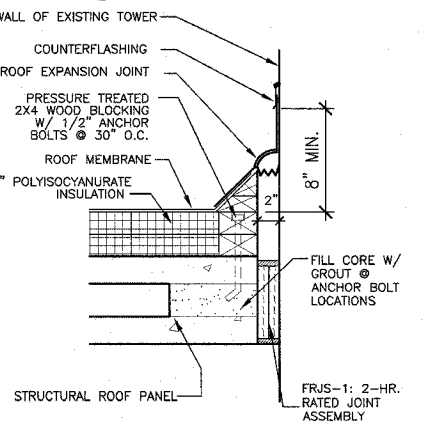
T RATED EXPANSION JOINT
1-1/2"=1'-0"



U PLAN DETAIL
1-1/2"=1'-0"



V RATED EXPANSION JOINT
1-1/2"=1'-0"



W RATED EXPANSION JOINT
1-1/2"=1'-0"

Drawing Stamp Information