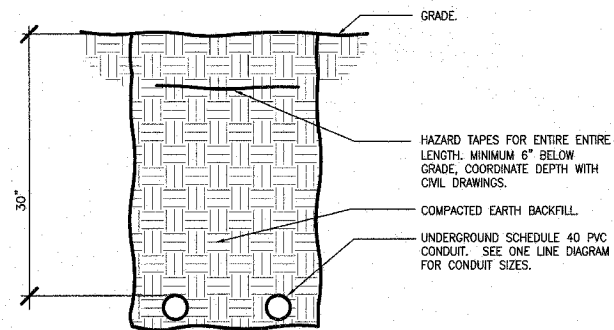
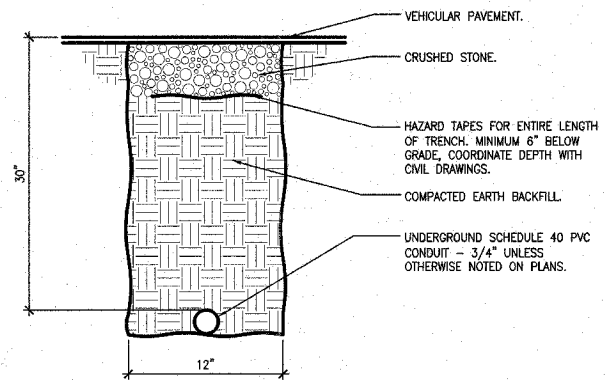


F.A. RTE.	SECTION	COUNTY	TOTAL SHEETS	SHEET NO.
	03-00026-00-PK	MADISON	53	50
	06-00026-01-MS			

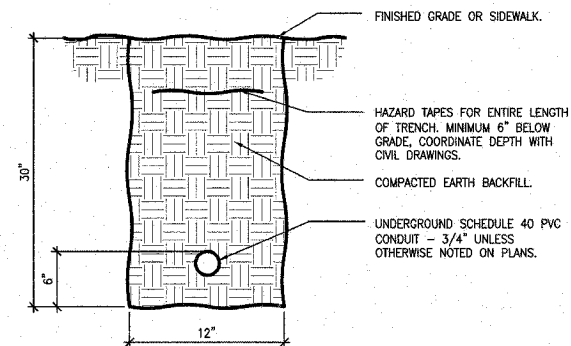
FEDERAL AID PROJECT



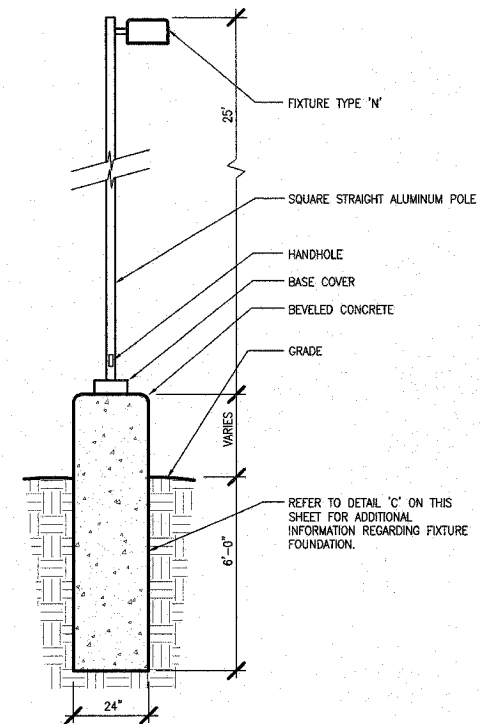
D SECONDARY SERVICE ENTRANCE DUCTBANK
NO SCALE



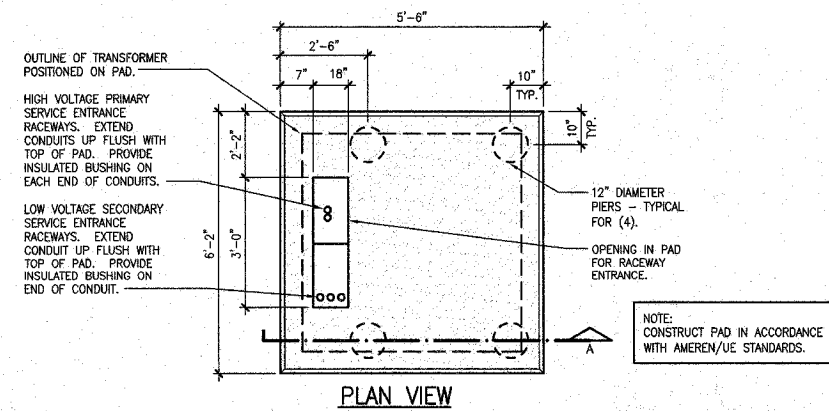
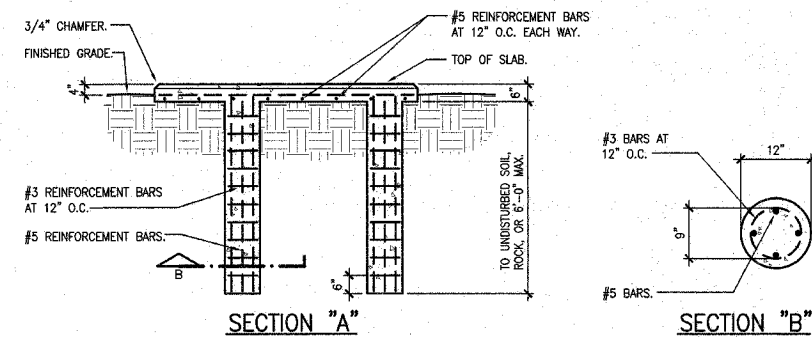
E CONDUIT TRENCH UNDER VEHICULAR PAVEMENT
NO SCALE



F CONDUIT TRENCH IN GRASS OR UNDER SIDEWALK
NO SCALE



A SITE LIGHTING FIXTURE DETAIL "TYPE N"
NO SCALE



B TRANSFORMER PAD DETAIL
NO SCALE

211 N. Broadway
Suite 1900
St. Louis, MO 63102
(314) 241-8188
FAX (314) 241-0125

KAI

LEWIS AND CLARK MEMORIAL TOWER
VILLAGE OF HARTFORD, ILLINOIS
HARTFORD, ILLINOIS 62049

SHEET TITLE:
ELECTRICAL DETAILS

REV. NO.	REMARKS	DATE

KENNEDY PROJECT NO
KAI# 10-02048

ISSUE DATE
APRIL 11, 2008

SHEET NO

E6-02