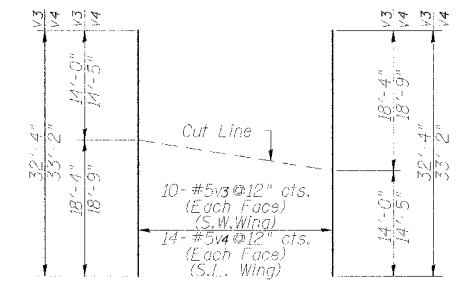
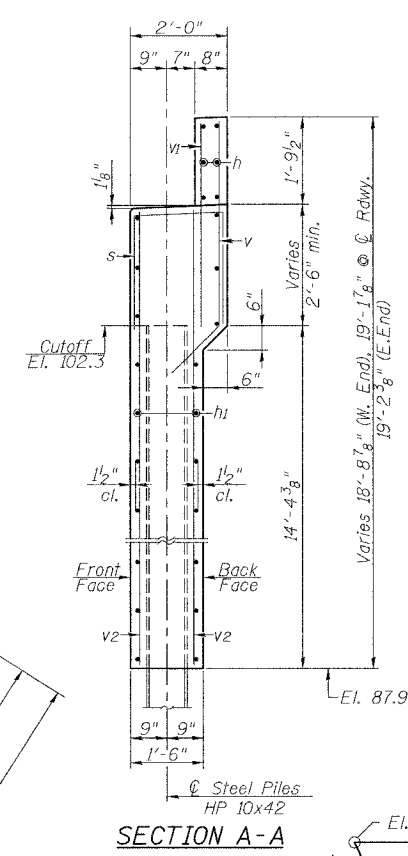
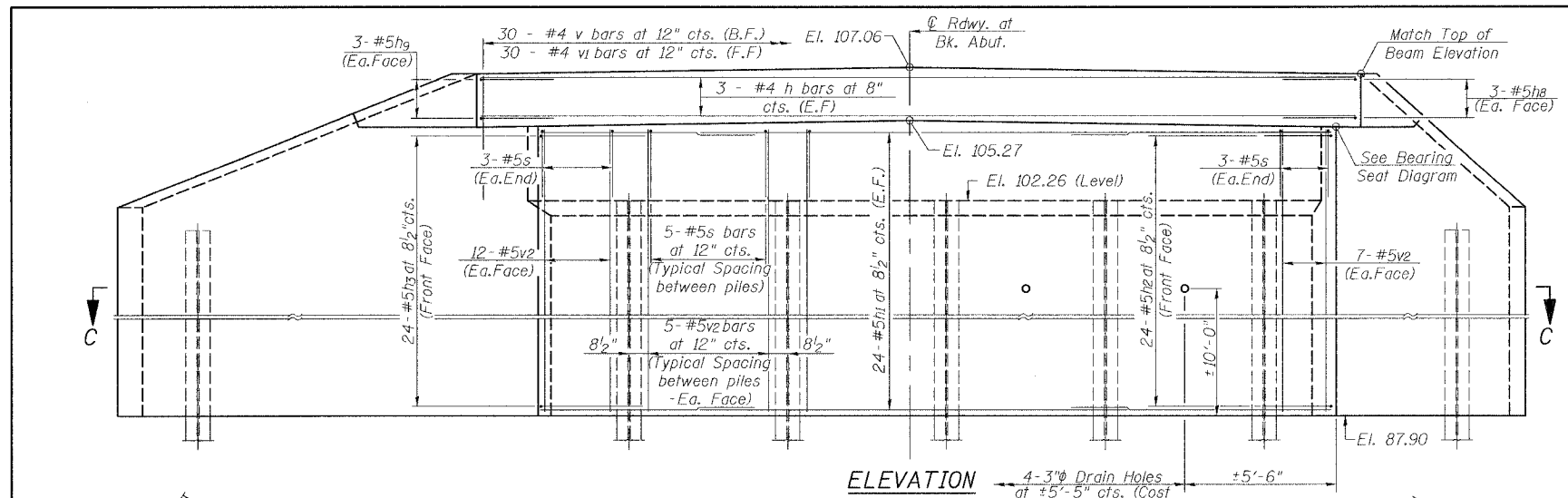


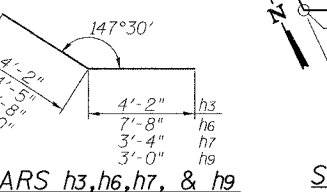
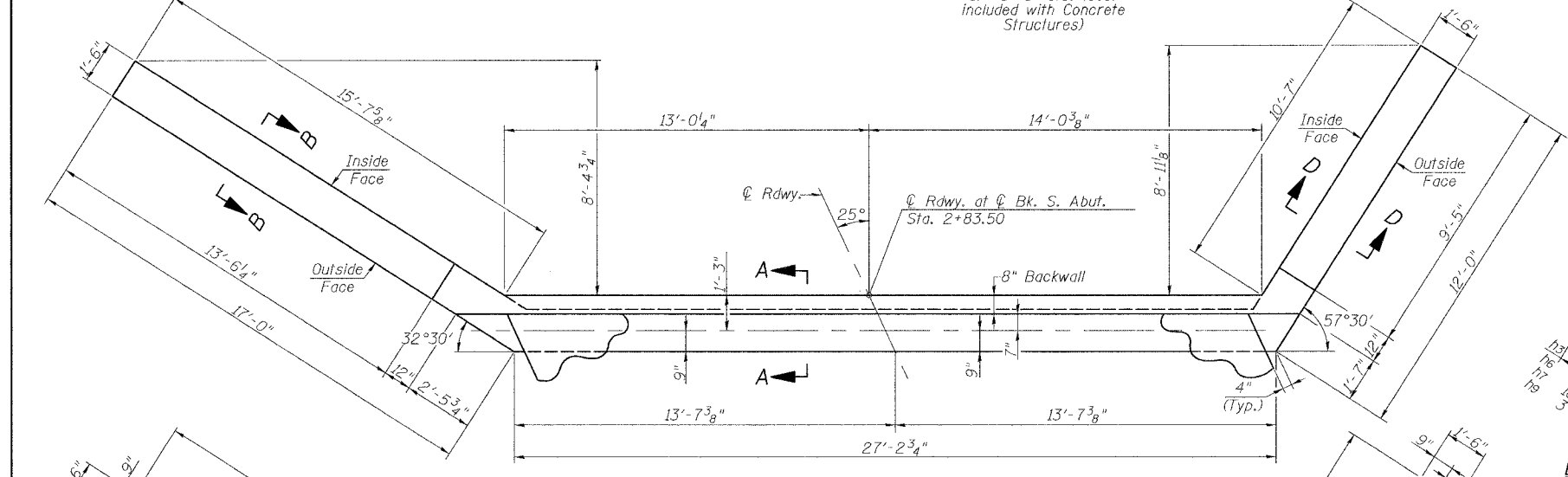
I.R. RTE.	SECTION	COUNTY	TOTAL SHEETS	SHEET NO.
50	05-03104-00-BR	JERSEY	12	7
FED. ROAD DIST. NO.			ILLINOIS FED. AID PROJECT	
			CONTRACT NO. 97334	



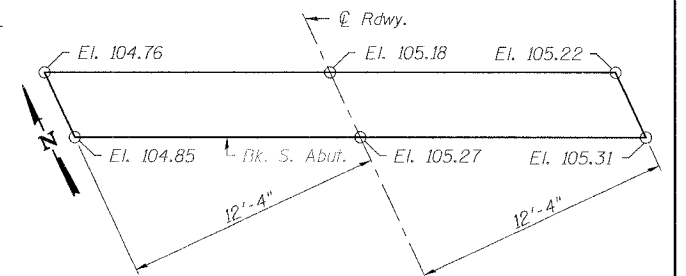
**v3 & v4 - BAR CUT DIAGRAM**  
 Note: Order v3 and v4 bars full length. Lay out in field as shown. Cut along cut line. Use remainder of bar in opposite face of wingwall.

**PILE DATA**  
 Type: Steel HP 10x42  
 Nominal Required Bearing: 294 Kips  
 Allowable Resistance Available: 98 Kips  
 Est. Length: 58'  
 No. of Production Piles: 6  
 No. of Test Piles: 1

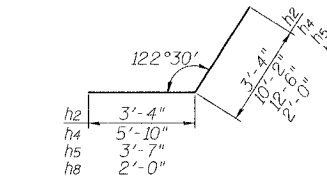
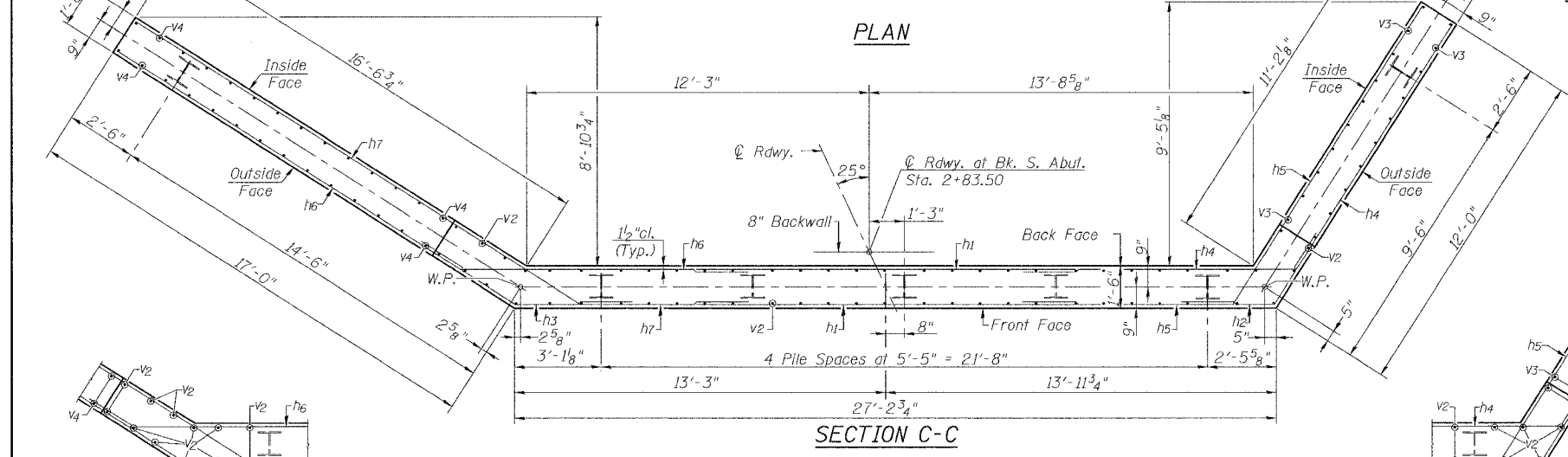
The test pile shall be driven to 110 percent of the Nominal Required Bearing indicated in the pile data information.  
 The Steel H-Piles shall be according to AASHTO M270 Grade 50.



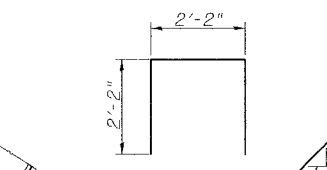
**BARS h3, h6, h7, & h8**



**SOUTH ABUTMENT BEARING SEAT DIAGRAM**



**BARS h2, h4, h5, & h8**



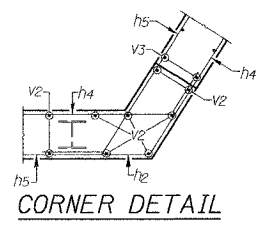
**BAR s**



**BAR v**



**CORNER DETAIL**



**CORNER DETAIL**

**SOUTH ABUTMENT BILL OF MATERIAL**

Bar	No.	Size	Length	Shape
h	6	#4	29'-11"	
h1	48	#5	20'-0"	
h2	24	#5	6'-8"	
h3	24	#5	8'-4"	
h4	24	#6	16'-0"	
h5	24	#6	16'-1"	
h6	24	#8	22'-1"	
h7	24	#8	22'-0"	
h8	6	#5	4'-0"	
h9	6	#5	6'-0"	
h10	4	#5	10'-6"	
h11	4	#5	15'-3"	
s	26	#5	6'-6"	
v	30	#5	6'-0"	
v1	30	#5	3'-6"	
v2	59	#5	16'-6"	
v3	10	#5	32'-4"	
v4	14	#5	33'-2"	
Reinforcement Bars				Pound 7960
Concrete Structures				Cu. Yd. 54.9
Furnishing Steel Piles HP10x42				Foot 348
Driving Steel Piles				Foot 348
Test Pile Steel HP 10x42				Each 1
Structure Excavation				Cu. Yd. 199

FILE NAME =	USER NAME =	DESIGNED =	REVISED =
#FILE.#	#USFR#	---	---
PLT SCALE =	CHECKED =	DATE =	REVISED =
#SCALE#	---	---	---
PLCT DATE =	DATE =	REVISED =	---
#DATE#	---	---	---

**Allen Henderson & Associates, Inc.**  
 Civil and Structural Engineers Springfield, IL  
 62703 Phone: (217)544-8033 IL Design Firm  
 No. 184-001907

<b>SOUTH ABUTMENT</b>		I.R. RTE.	SECTION	COUNTY	TOTAL SHEETS	SHEET NO.
SCALE: _____		50	05-03104-00-BR	JERSEY	12	7
SHEET NO. 7 OF 12 SHEETS		STA. 1+40 TO STA. 5+10		CONTRACT NO. 97334		
		FED. ROAD DIST. NO. ILLINOIS FED. AID PROJECT				