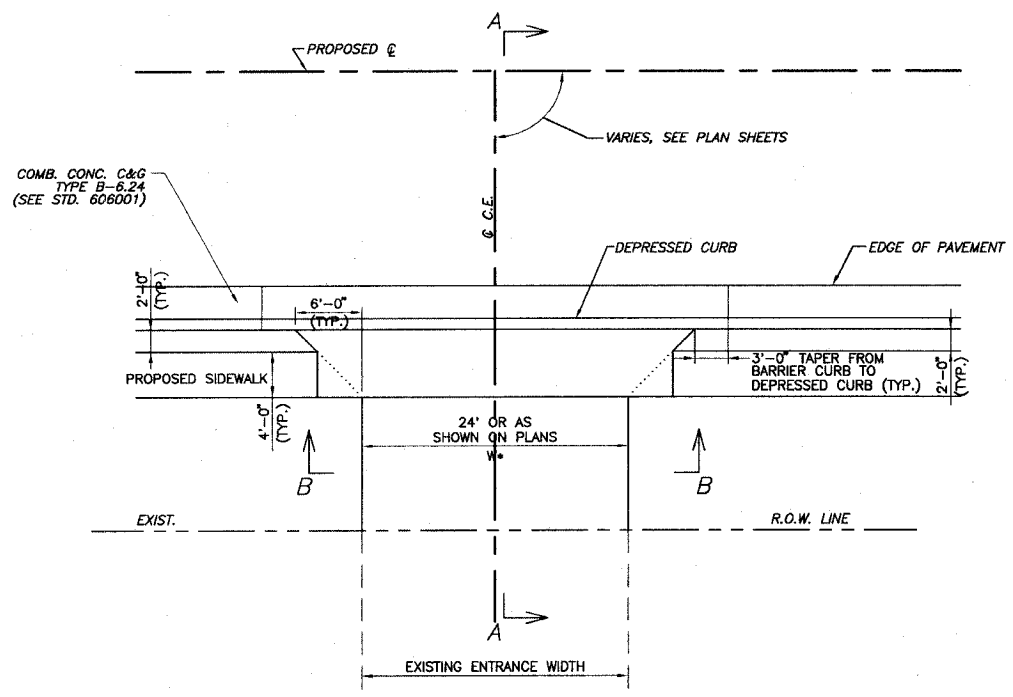
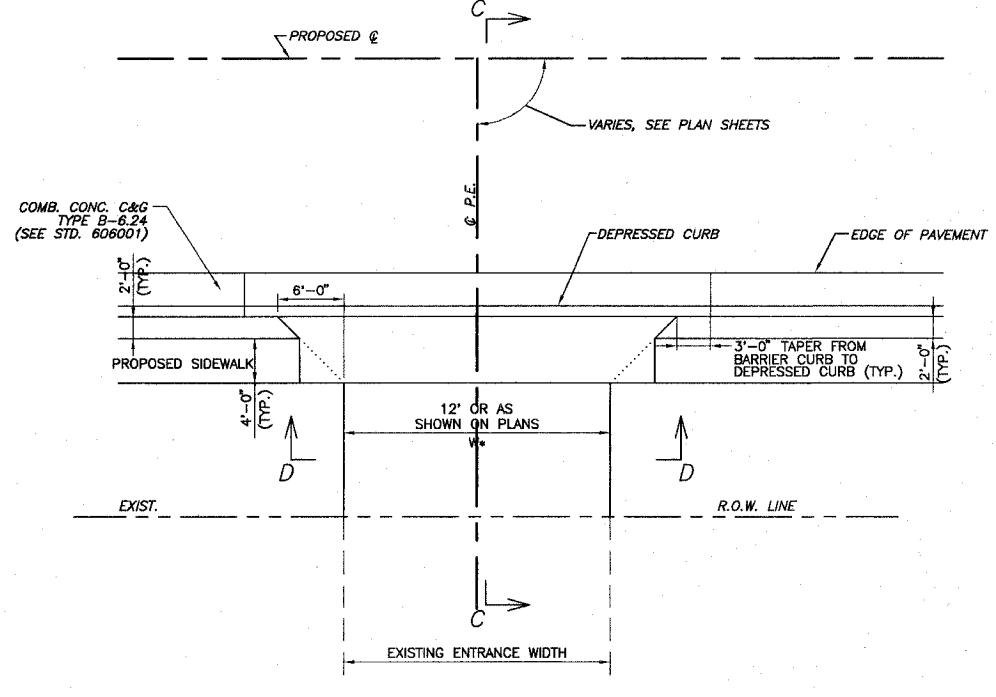


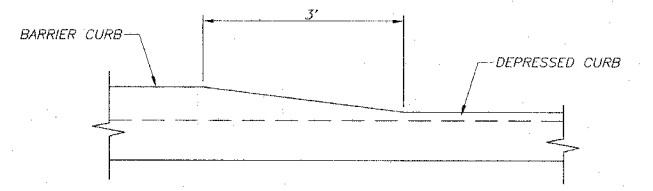
F.A.U. ROUTE	SECTION	COUNTY	TOTAL SHEETS	SHEET NUMBER
9170	03-00054-00-RP	ST. CLAIR	41	27
STA. 2+22.78		TO	STA. 37+18.35	
FEDERAL AID PROJECT			CONTRACT 97335	



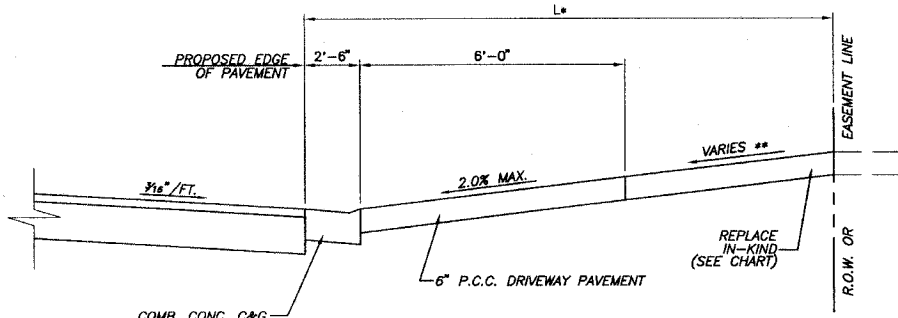
**C.E. DETAIL "A"**  
 COMMERCIAL ENTRANCE WITH SIDEWALK ADJACENT TO ROADWAY PAVEMENT AND CONCRETE CURB & GUTTER TYPE B-6.24  
 N.T.S.  
 STA. 3+20 TO STA. 31+00



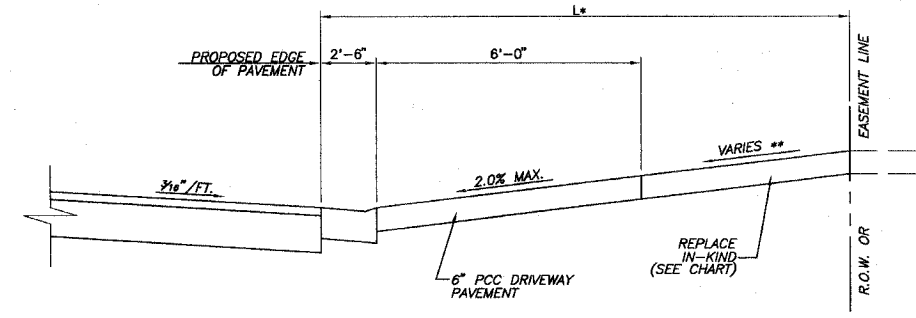
**P.E. DETAIL "B"**  
 PRIVATE ENTRANCE WITH SIDEWALK ADJACENT TO ROADWAY PAVEMENT AND CONCRETE CURB & GUTTER TYPE B-6.24  
 N.T.S.  
 STA. 3+20 TO STA. 31+00



**DETAIL OF CURB HEIGHT TRANSITION**  
 N.T.S.

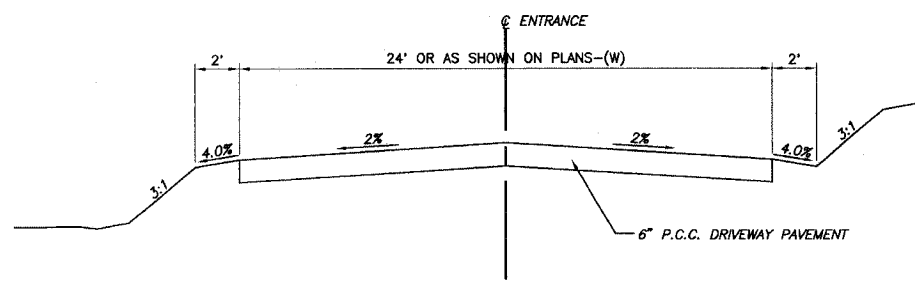


**SECTION "A-A"**  
 \* SEE ENTRANCE SCHEDULE FOR DISTANCES  
 \*\* SEE CROSS SECTIONS FOR SLOPES

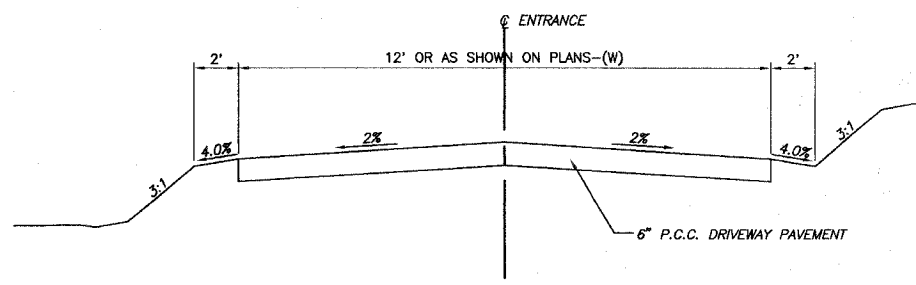


**SECTION "C-C"**  
 \* SEE ENTRANCE SCHEDULE FOR DISTANCES  
 \*\* SEE CROSS SECTIONS FOR SLOPES

TYPE OF ENTRANCE	EXISTING MATERIAL	NEW ENTRANCE MATERIAL			
		PCC DRIVEWAY PAVEMENT	INCIDENTAL ASPHALT SURFACING	HOT-MIX AGGREGATE BASE COURSE TYPE B	AGGREGATE SURFACE COURSE TYPE B
PRIVATE & COMMERCIAL	CONCRETE	X			
	BITUMINOUS		X		
	AGGREGATE			X	X



**SECTION "B-B"**



**SECTION "D-D"**

P:\42103 - 03Plan\03plan.dwg, 27, ENRANCE DETAILS.dwg, 7/9/2008, 11:54:31 AM, Plotted by H.A.L.