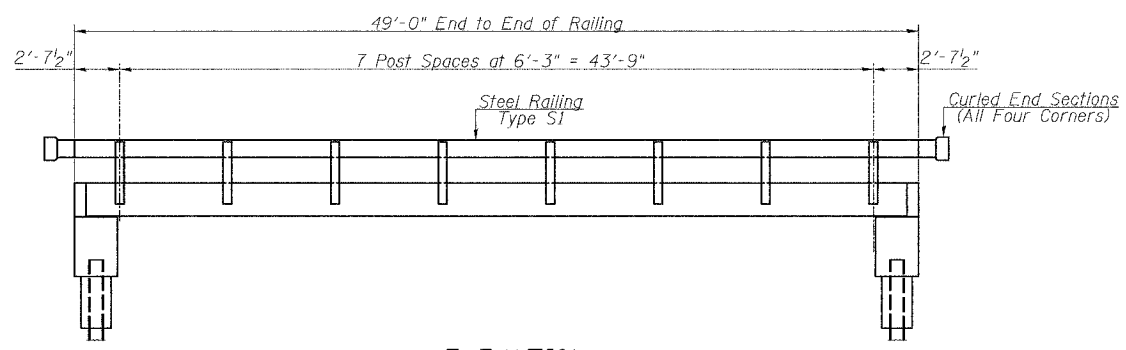
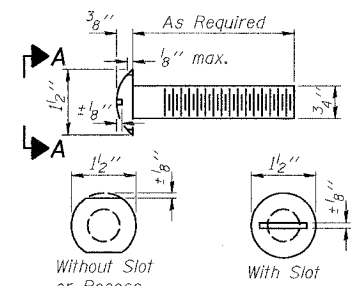


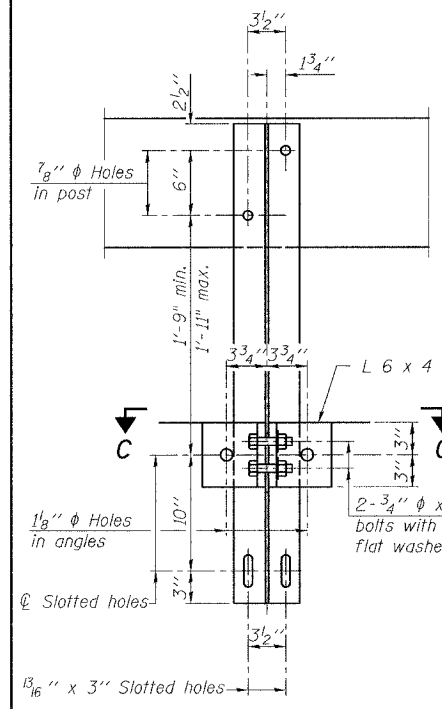
T.R. RTE.	SECTION	COUNTY	TOTAL SHEETS	SHEET NO.
77	05-09111-00-BR	JERSEY	10	6
CONTRACT NO. 97344				
FED. ROAD DIST. NO. ILLINOIS FED. AID PROJECT				



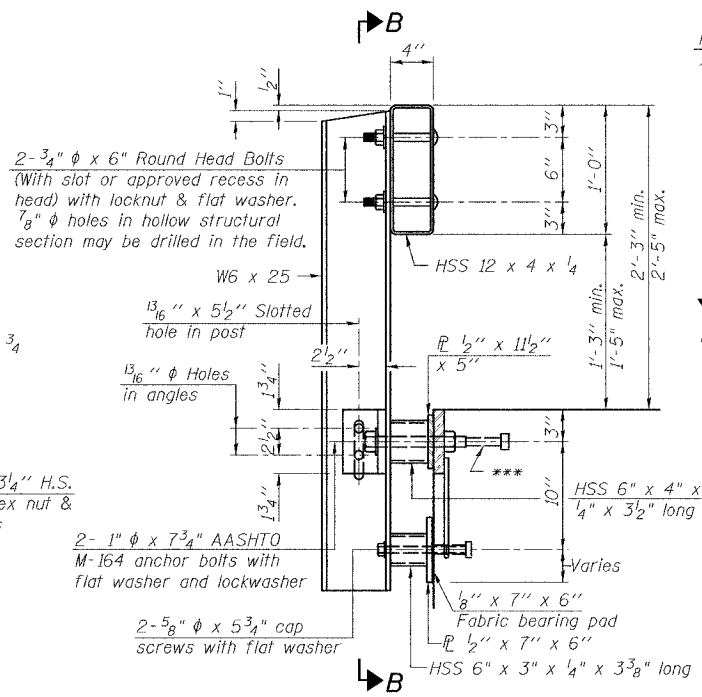
**ELEVATION**  
(Showing Outside Face)



**VIEW A-A**  
**ROUND HEAD BOLT**

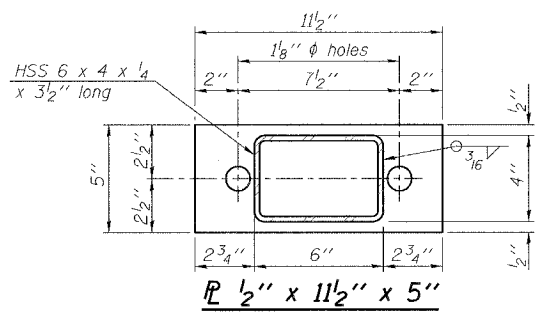


**SECTION B-B**

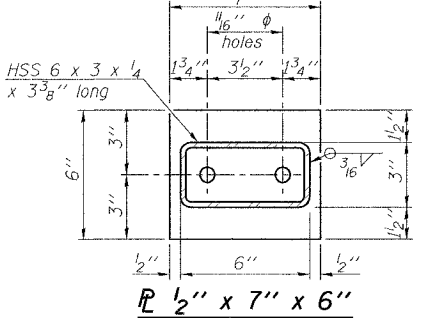


**SECTION AT RAILING POST**

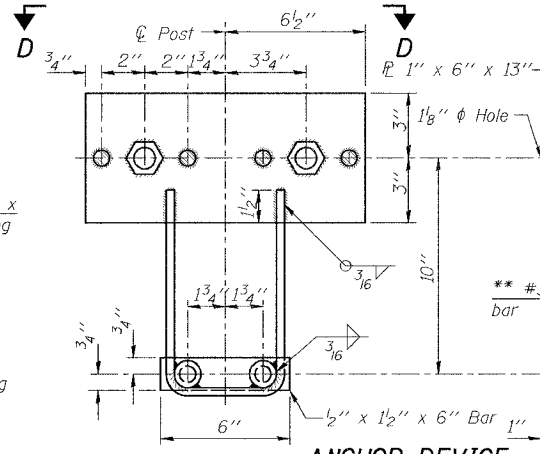
\*\* Whenever the lower insert assemblies interfere with strand locations, the #3 bars shall be cut and adjusted in order to allow raising or lowering of the lower inserts. Maximum adjustment not to exceed 1/2".



**ANCHOR DEVICE**

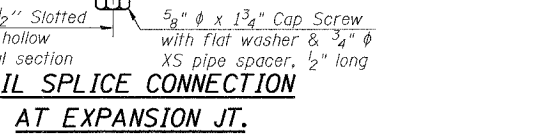


**ANCHOR DEVICE**

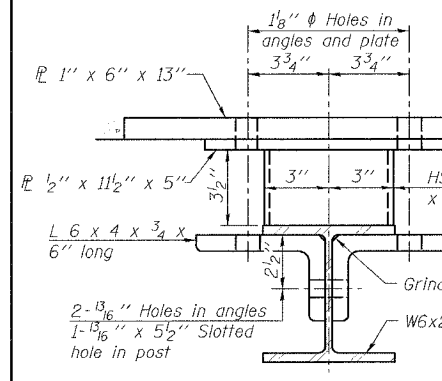


**RAIL SPLICE CONNECTION AT EXPANSION JT.**

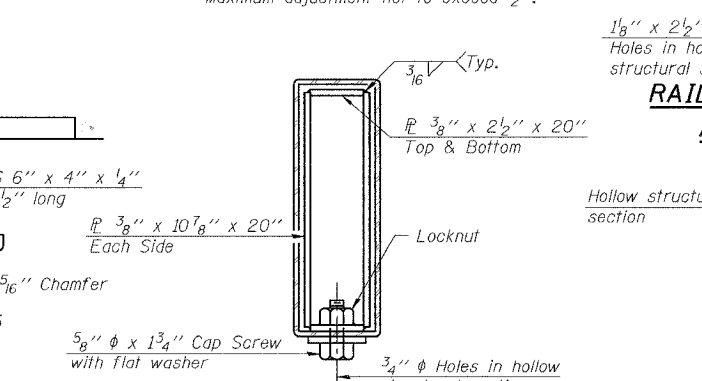
\* Threaded areas shall be plugged or blocked off during casting of beam.



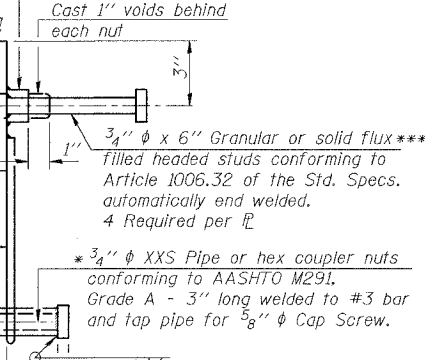
**PLAN-BOTT. SPLICE AT TYPICAL**



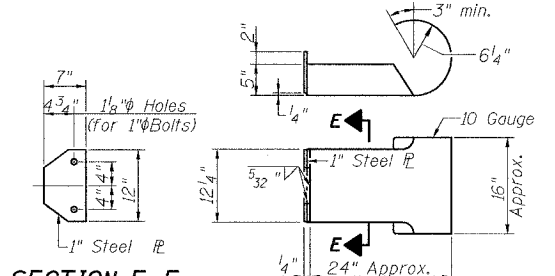
**SECTION C-C**



**SECTIONS AT RAIL SPLICE**

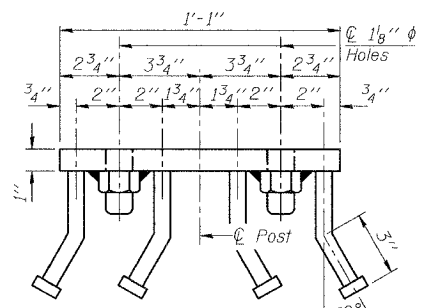


**END OF RAIL DETAILS**



**SECTION E-E**  
**CURLED END SECTION DETAILS (4 Required)**

Notes:  
All field drilled holes shall be coated with an approved zinc rich paint before erection.  
For multi-span bridges, sufficient 1/4" x 6" x 1'-2" galvanized steel shims shall be provided to align rail between adjacent spans. Cost included with Steel Railing, Type S-1.  
All steel rail elements shall be galvanized according to Article 509.05 of the Standard Specifications.  
\*\*\* The studs of the anchor devices shall be placed below the top reinforcement bars and the outermost longitudinal reinforcement bar shall be placed directly above the studs of the rail post anchor device.  
Railing shall be in accordance with Section 509 of the Standard Specifications, except as noted, and will be paid for at the contract unit price per foot for Steel Railing, Type S-1.  
The cost of curled end sections shall be included in the cost of Steel Railing, Type S1.



**VIEW D-D**  
**BILL OF MATERIAL**

Item	Unit	Quantity
Steel Railing, Type S1	Foot	98

FILE NAME -	USER NAME -	DESIGNED -	REVISED -
#FILE.#	#USER#	DRAWN -	REVISED -
	PLOT SCALE - #SCALE#	CHECKED -	REVISED -
	PLOT DATE - #DATE#	DATE -	REVISED -

**Allen Henderson & Associates, Inc.**  
Civil and Structural Engineers Springfield, IL.  
62703 Phone: (217)544-8033 IL Design Firm  
No. 184-001907

**RAILING**  
SCALE: VARIES SHEET NO. 6 OF 10 SHEETS STA. 5+90.00 TO STA. 10+00.00

T.R. RTE.	SECTION	COUNTY	TOTAL SHEETS	SHEET NO.
77	05-09111-00-BR	JERSEY	10	6
CONTRACT NO. 97344				
FED. ROAD DIST. NO. ILLINOIS FED. AID PROJECT				